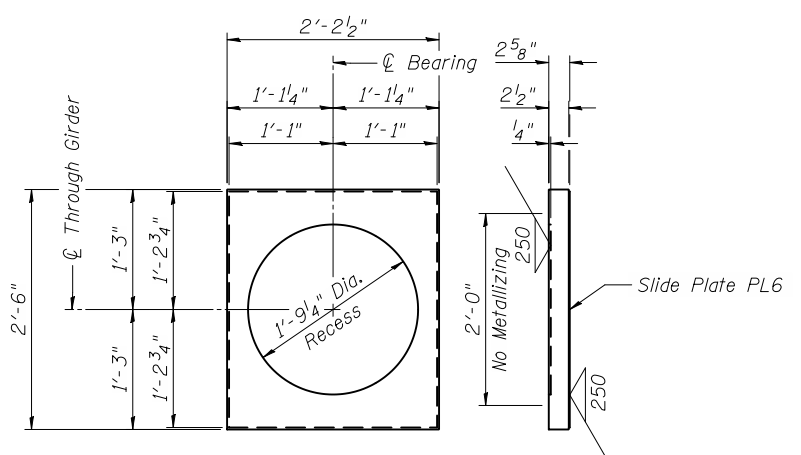
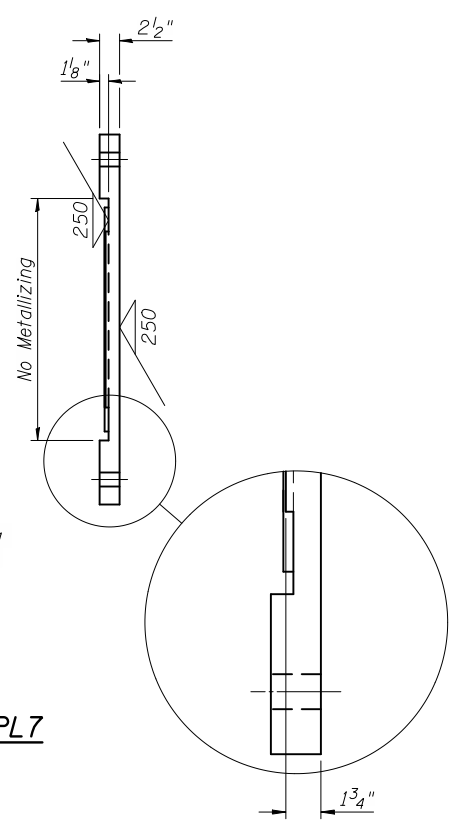


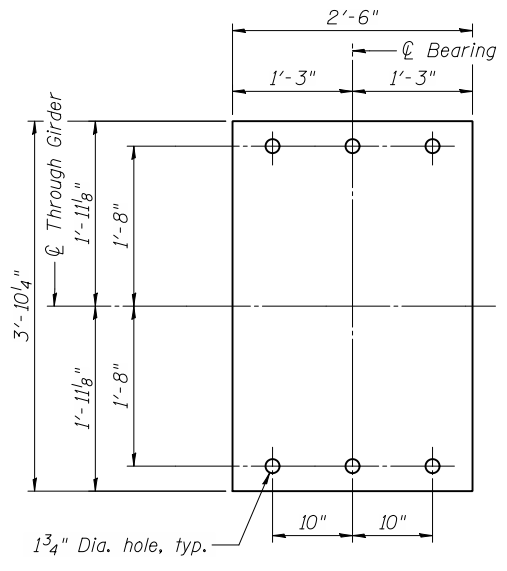
BED PLATE PL8
 2'-6" x 2 1/2" x 3'-10 1/4"
 3 Required per span

LUBRICATING PLATE PL7
 2'-0" x 1/2" x 2'-4"
 3 Required per span



BED PLATE PL5
 2'-2 1/2" x 2 1/2" x 2'-6"
 3 Required per span

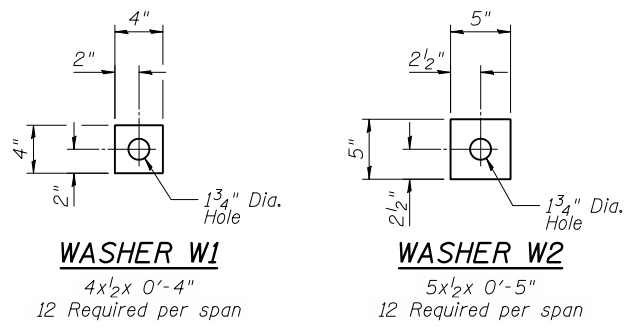
SLIDE PLATE PL6
 2'-2" x 1/8" x 2'-5 1/2"
 3 Required per span
 Attached to Bed Plate PL5
 per manufacturer's recommendations.



BEARING PAD FP1
 2'-6" x 1/4" x 3'-10 1/4"
 6 Required per span

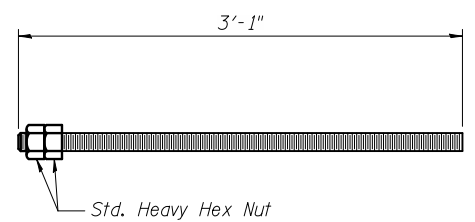
BEARING INFORMATION								
Girder Location	Span 1				Span 2			
	South Abutment		Pier		Pier		North Abutment	
	Bearing Height "h"	Shim Plate Thickness	Bearing Height "h"	Shim Plate Thickness	Bearing Height "h"	Shim Plate Thickness	Bearing Height "h"	Shim Plate Thickness
East	8 7/8"	1/2"	10"	1 1/4"	9 3/4"	1"	9 1/4"	7/8"
Center	8 3/8"	No Shim	9 3/8"	5/8"	8 3/4"	No Shim	8 3/8"	No Shim
West	8 7/8"	1/2"	9 3/8"	7/8"	9 1/2"	3/4"	9 1/4"	7/8"

- BEARING NOTES:**
- Surface Texture Symbols:** Symbols shown are in accordance with American National Standards Institute Standard Y14.36-1978 and the roughness average is shown in microinches.
 - Shipping:** Components shall be pre-assembled in shop to ensure proper fit. Match-marked and crated for shipment. Countersunk bolts to be shipped loose.
 - Lubricating Plates:** To be "Lubrite" self-lubricating bronze expansion bearing plates with trepanned recesses on one side only as manufactured by "Merriman" division of Litton Industrial Products or approved equivalent. Plates to be in accordance with ASTM Specification B22-82 alloy UNS No. C91100.
 - Slide Plates:** To be ASTM A167 or A240, type 304 stainless steel. Attach to bed plate per manufacturer's recommendations.
 - Shim Plates:** To match plan geometry of Bearing Pads FP1. Thickness per Bearing Information Table.
 - Metallizing:** Except for areas shown, all surfaces of all bearing plates, except lubricating plates and slider plates, are to be metallized. See note on Sheet No. 2.
 - Galvanizing:** Material where noted to be galvanized in accordance with the ASTM Specification A123, latest edition. Min. 2 ozs./sq.ft.
 - Bearings Pads:** To be 1/4" thick structural bearing pads as manufactured by "Sorbtex" or "Fabreka".
 - General Notes:** Refer to Sheet No. 2.
 - Cost:** The bearing assemblies are included in the cost of Furnishing and Erecting Structural Steel.

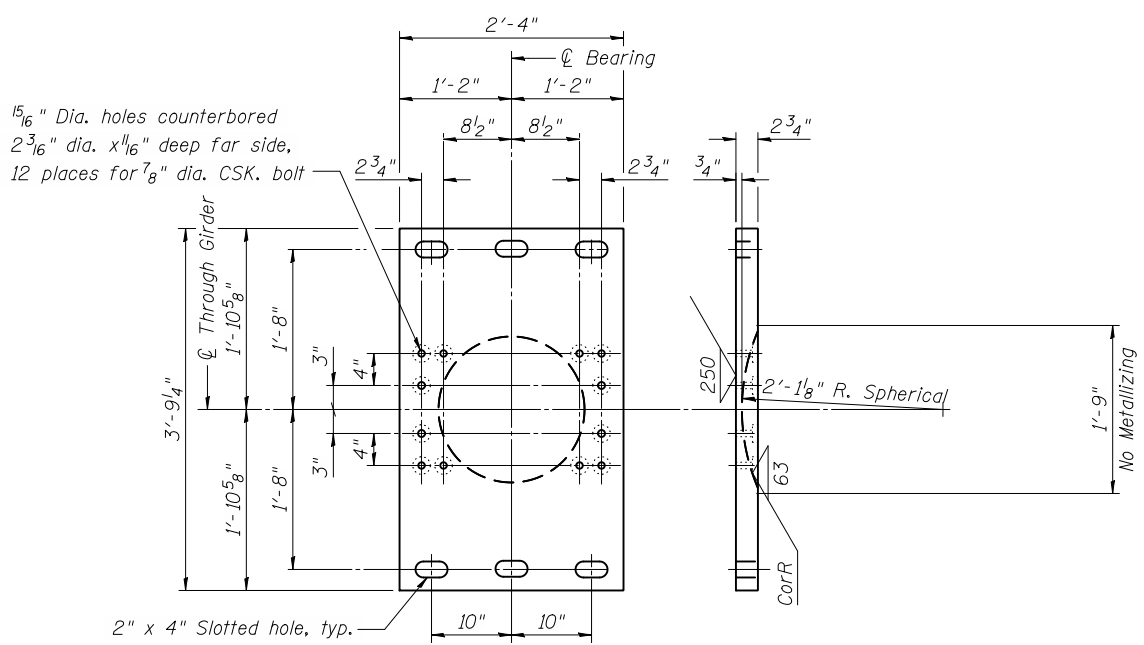


WASHER W1
 4x2x0'-4"
 12 Required per span

WASHER W2
 5x2x0'-5"
 12 Required per span



ANCHOR ROD AN1
 1 1/2" φ x 3'-1" (Galvanized)
 30 Required per span



SHOE PLATE PL4
 2'-4" x 2 3/4" x 3'-9 1/4"
 3 Required per span

ca:\pwworking\oma\0463409\0220226-60842-023-BRG.DGN
 jmlgus

11/2/2012
 11:24:41 AM



USER NAME = jmlgus	DESIGNED - AMM	REVISED -
FILE NAME = 0220226-60842-023-BRG.DGN	CHECKED - LAG	REVISED -
PLOT SCALE = NONE	DRAWN - RMA	REVISED -
PLOT DATE = 11/2/2012	CHECKED - AMM	REVISED -

STATE OF ILLINOIS
 DEPARTMENT OF TRANSPORTATION

BEARING DETAILS 2
 STRUCTURE NO. 022-0226

SHEET NO. 23 OF 43 SHEETS

F.A.U. RTE.	SECTION	COUNTY	TOTAL SHEETS	SHEET NO.
1321	32VB	DU PAGE	388	164
CONTRACT NO. 60W01				

ILLINOIS FED. AID PROJECT