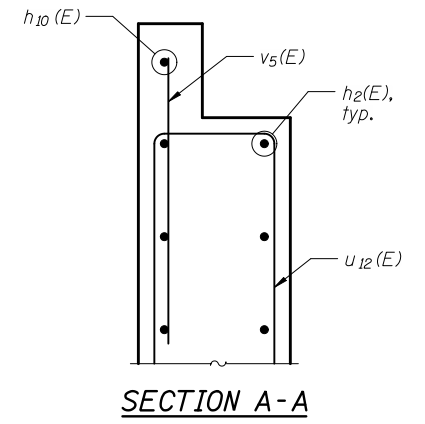
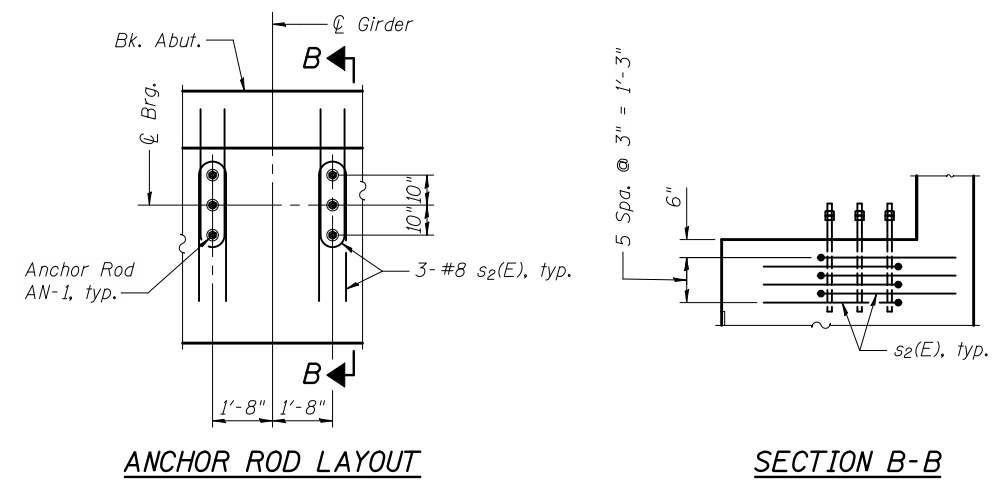


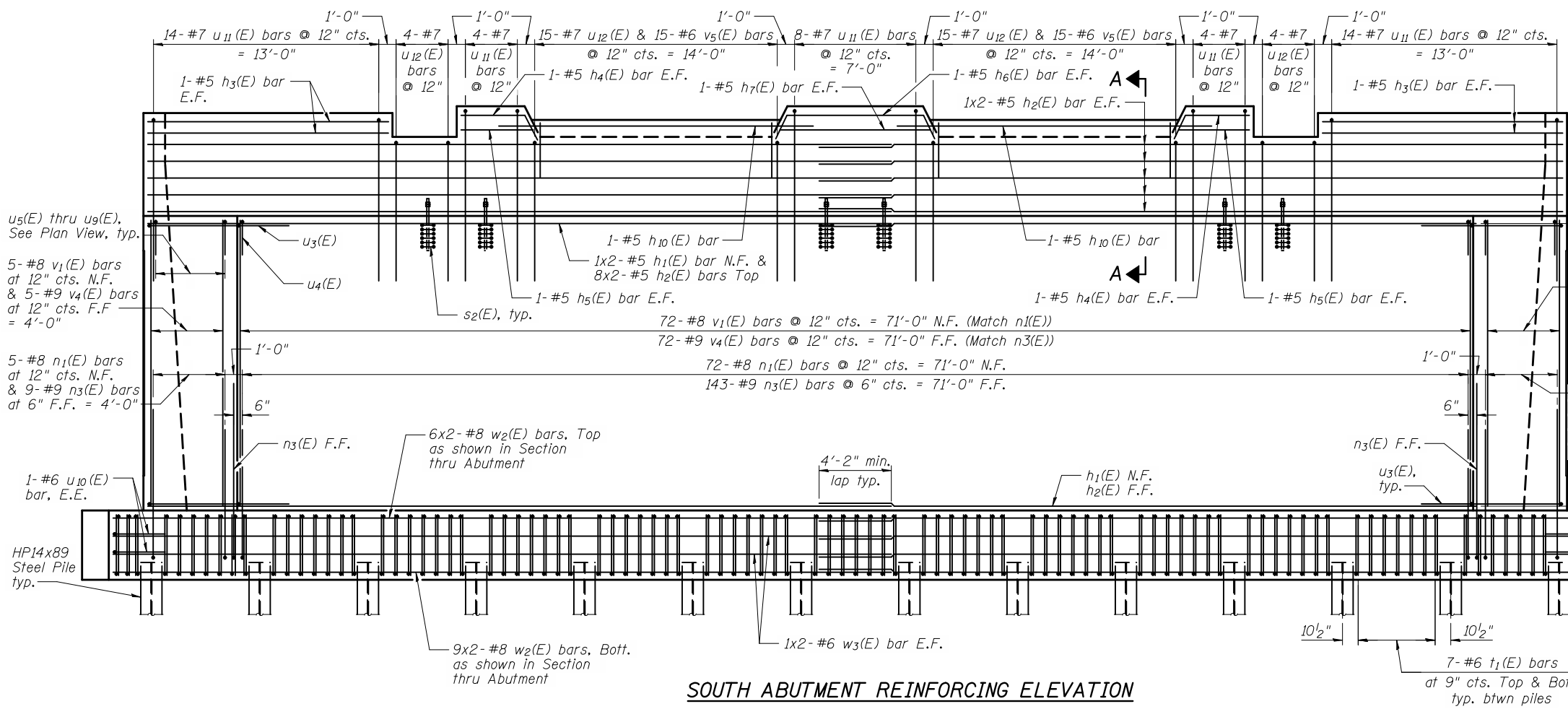
**TYPICAL ABUTMENT STEM AND BACKWALL REINFORCING PLAN**

Footing, wingwall and horizontal backwall reinforcing not shown for clarity

**Note:**  
 N.F. = Near Face  
 F.F. = Far Face  
 E.F. = Each Face  
 E.E. = Each End

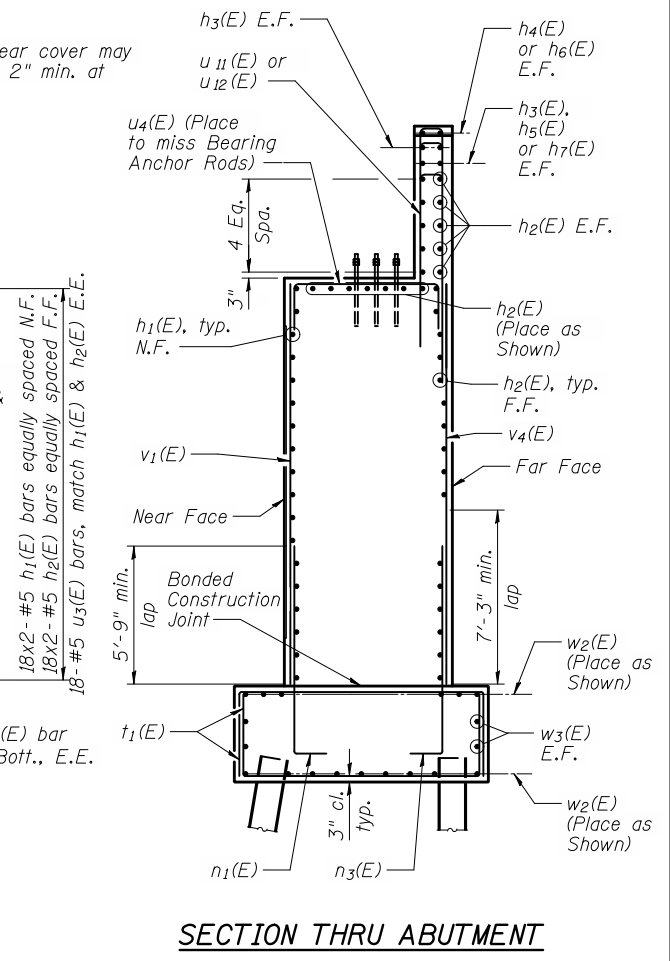


**SECTION A-A**



**SOUTH ABUTMENT REINFORCING ELEVATION**

**Note:**  
 Reinforcing clear cover may be reduced to 2\"/>



**SECTION THRU ABUTMENT**

c:\pwworking\oma\0463409\0220226-60B42-027-ABD.DGN jmlgus

11/2/2012 11:25:24 AM



USER NAME = jmlgus	DESIGNED - AMM	REVISED -
FILE NAME = 0220226-60B42-027-ABD.DGN	CHECKED - LAG	REVISED -
PLOT SCALE = NONE	DRAWN - RMA	REVISED -
PLOT DATE = 11/2/2012	CHECKED - AMM	REVISED -

**STATE OF ILLINOIS  
 DEPARTMENT OF TRANSPORTATION**

**SOUTH ABUTMENT REINFORCING DETAILS  
 STRUCTURE NO. 022-0226**

F.A.U. R.T.E.	SECTION	COUNTY	TOTAL SHEETS	SHEET NO.
1321	32VB	DU PAGE	388	168
CONTRACT NO. 60W01				

SHEET NO. 27 OF 43 SHEETS

ILLINOIS FED. AID PROJECT