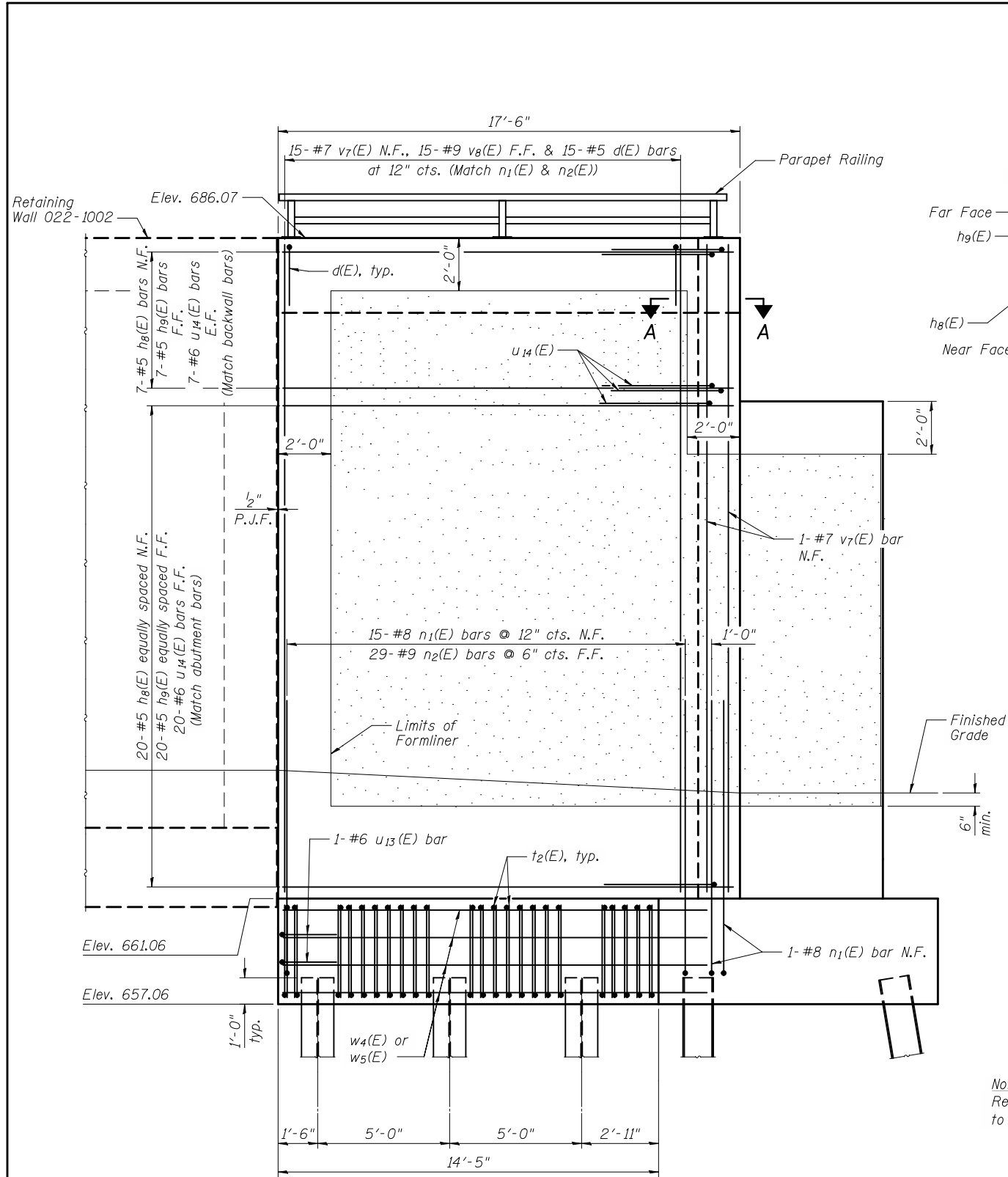
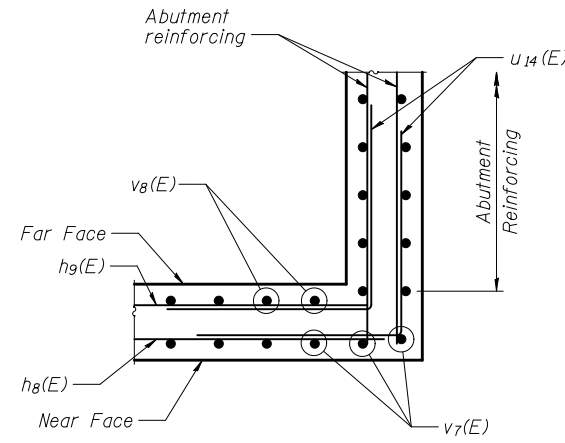


11/2/2012 11:26:12 AM
 c:\pwworking\oma\0463409\0220226-60B42-034-ABD.DGN
 jmlgus



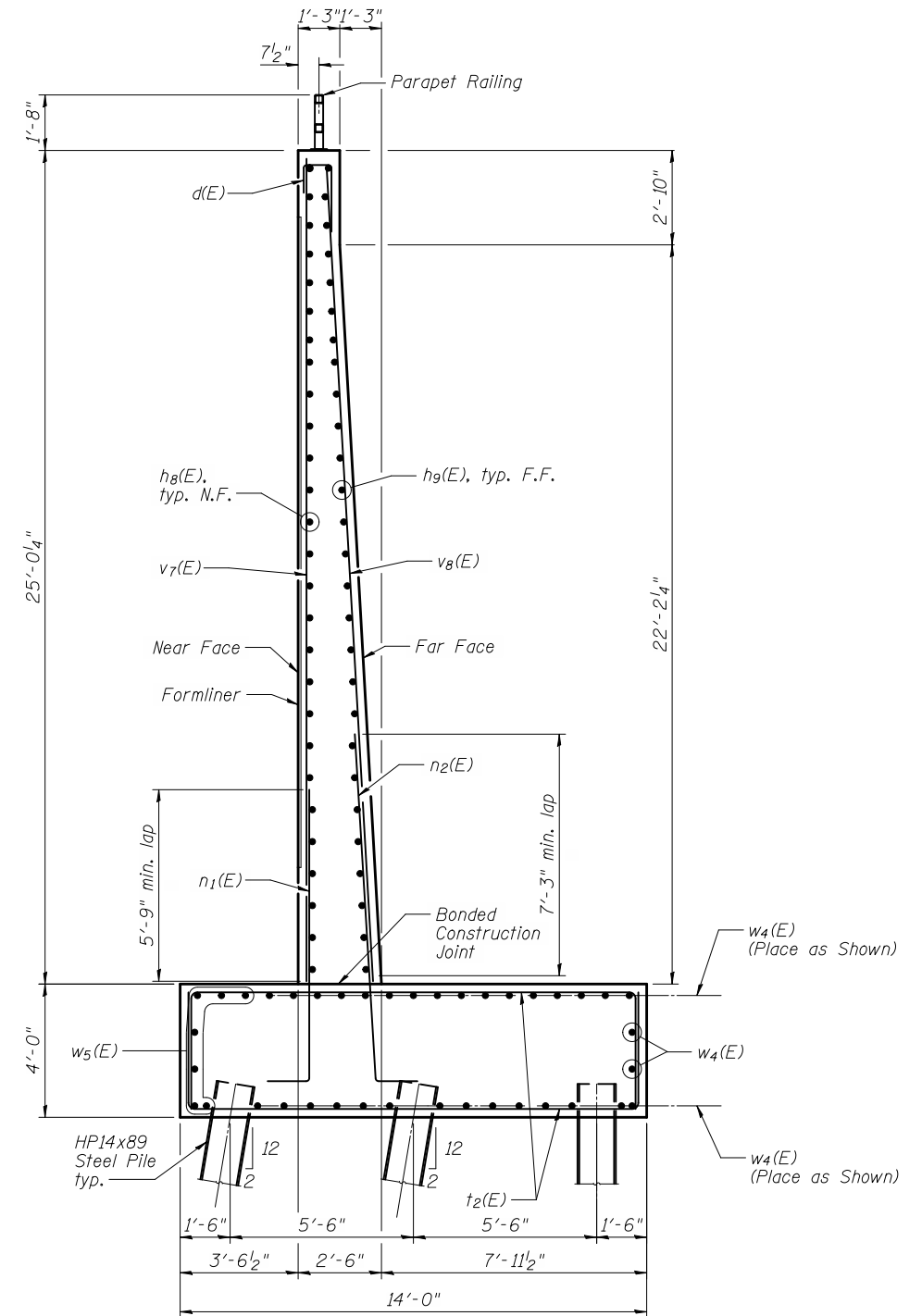
NORTH ABUTMENT WEST WINGWALL ELEVATION
 Abutment footing, stem and backwall reinforcing not shown for clarity



SECTION E-E
 d(E) bars not shown

Note:
 N.F. = Near Face
 F.F. = Far Face

Note:
 Reinforcing clear cover may be reduced to 2" min. at formliner.



NORTH ABUTMENT WEST WINGWALL SECTION



USER NAME = jmlgus	DESIGNED - AMM	REVISED -
FILE NAME = 0220226-60B42-034-ABD.DGN	CHECKED - LAG	REVISED -
PLOT SCALE = NONE	DRAWN - RMA	REVISED -
PLOT DATE = 11/2/2012	CHECKED - AMM	REVISED -

**STATE OF ILLINOIS
 DEPARTMENT OF TRANSPORTATION**

**NORTH ABUTMENT WEST WINGWALLS DETAILS
 STRUCTURE NO. 022-0226**

SHEET NO. 34 OF 43 SHEETS

F.A.U. RTE.	SECTION	COUNTY	TOTAL SHEETS	SHEET NO.
1321	32VB	DU PAGE	388	175
CONTRACT NO. 60W01				
ILLINOIS FED. AID PROJECT				