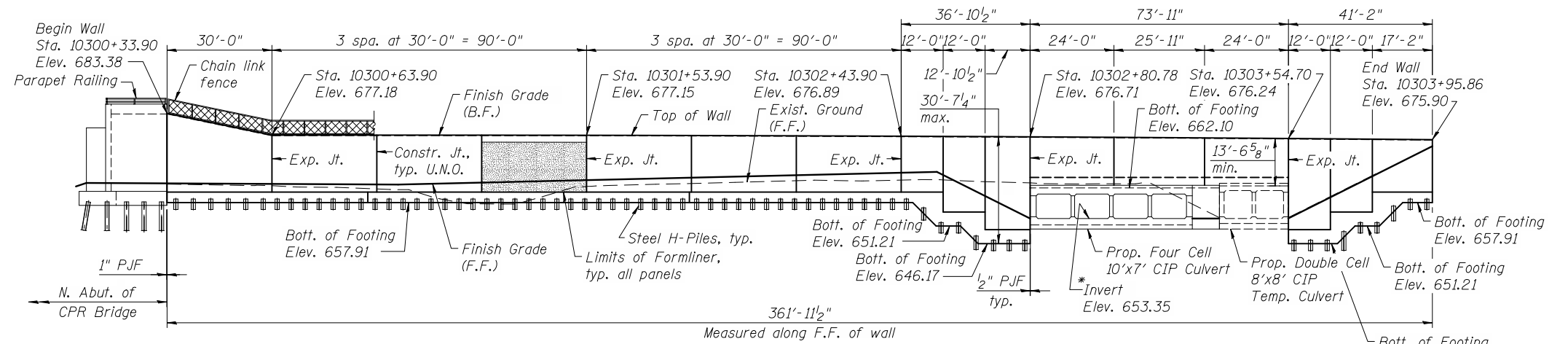
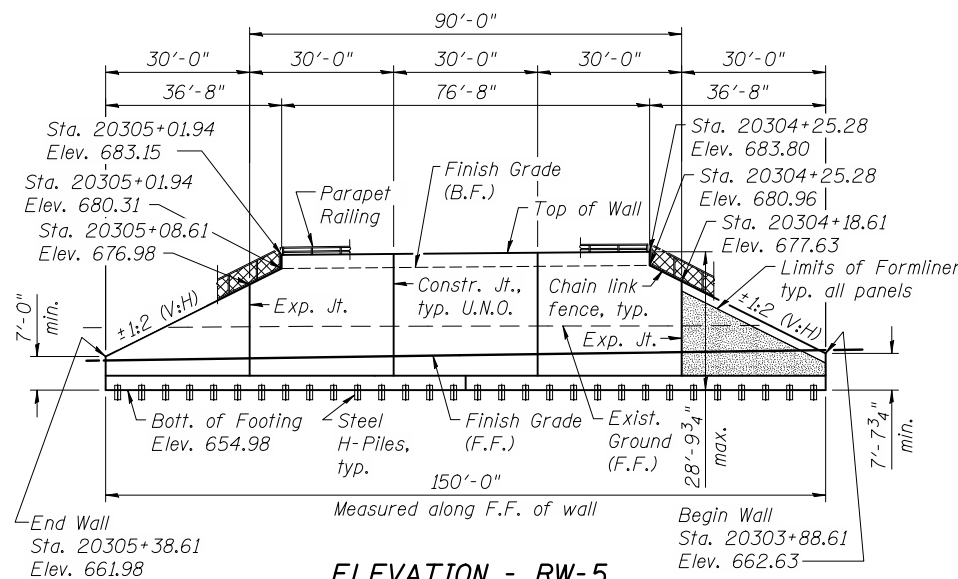


**ELEVATION - RW-3**  
SN 022-1003  
(Front Face Looking West)

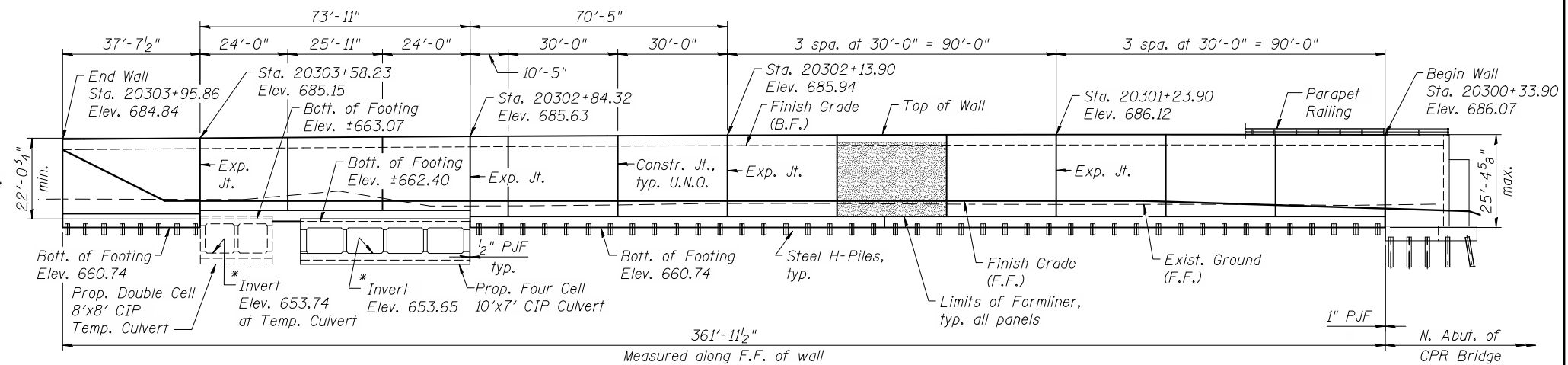


**ELEVATION - RW-1**  
SN 022-1001  
(Front Face Looking West)

\* Invert elevation taken at front face of retaining wall

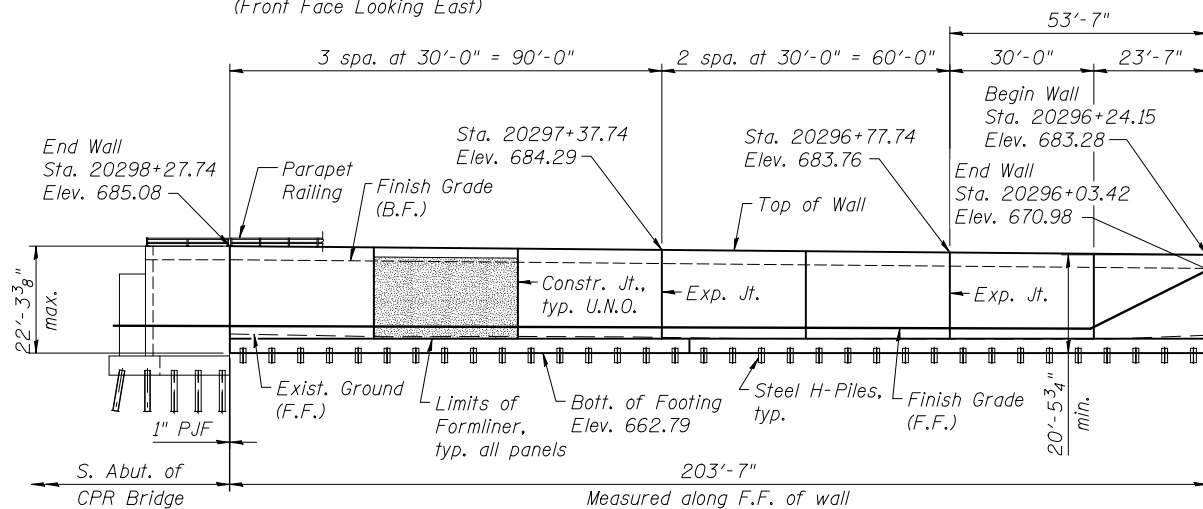


**ELEVATION - RW-5**  
SN 022-1005  
(Front Face Looking East)

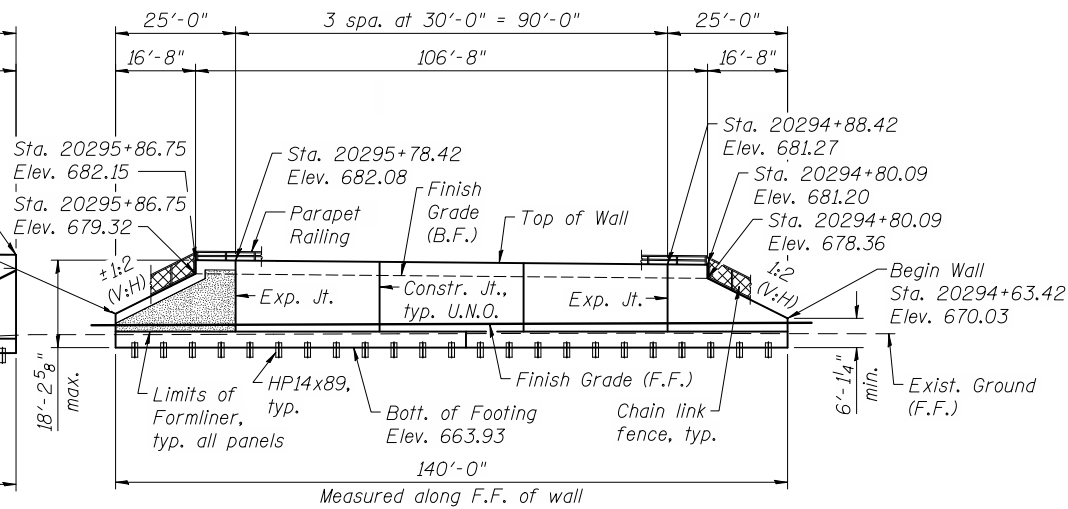


**ELEVATION - RW-2**  
SN 022-1002  
(Front Face Looking East)

\* Invert elevation taken at front face of retaining wall



**ELEVATION - RW-4**  
SN 022-1004  
(Front Face Looking East)



**ELEVATION - RW-6**  
SN 022-1006  
(Front Face Looking East)

**ELEVATIONS**  
**CPR RETAINING WALLS**  
**F.A.P. 345A - SEC. 32VB**  
**DU PAGE COUNTY**

- STATION 10300+33.90 TO 10303+95.86**  
**STRUCTURE NO. 022-1001**
- STATION 20300+33.90 TO 20303+95.86**  
**STRUCTURE NO. 022-1002**
- STATION 10297+74.99 TO 10298+27.74**  
**STRUCTURE NO. 022-1003**
- STATION 20296+24.15 TO 20298+27.74**  
**STRUCTURE NO. 022-1004**
- STATION 20303+88.61 TO 20305+38.61**  
**STRUCTURE NO. 022-1005**
- STATION 20294+63.42 TO 20296+03.42**  
**STRUCTURE NO. 022-1006**

cc:\pwworking\oma\d0593503\WXXX-60B42-001-GPE.dgn  
jmlgus

11/2/2012 11:30:26 AM



USER NAME = jmlgus  
FILE NAME = WXXX-60B42-001-GPE.DGN  
PLOT SCALE = NONE  
PLOT DATE = 11/2/2012

DESIGNED - BWC  
CHECKED - JAR  
DRAWN - JM  
CHECKED - JAR

REVISED -  
REVISED -  
REVISED -  
REVISED -

**STATE OF ILLINOIS**  
**DEPARTMENT OF TRANSPORTATION**

**ELEVATIONS**  
**CPR RETAINING WALLS**  
SHEET NO. 3 OF 42 SHEETS

F.A.P. RTE.	SECTION	COUNTY	TOTAL SHEETS	SHEET NO.
345A	32VB	DU PAGE	388	205
CONTRACT NO. 60W01				
ILLINOIS FED. AID PROJECT				