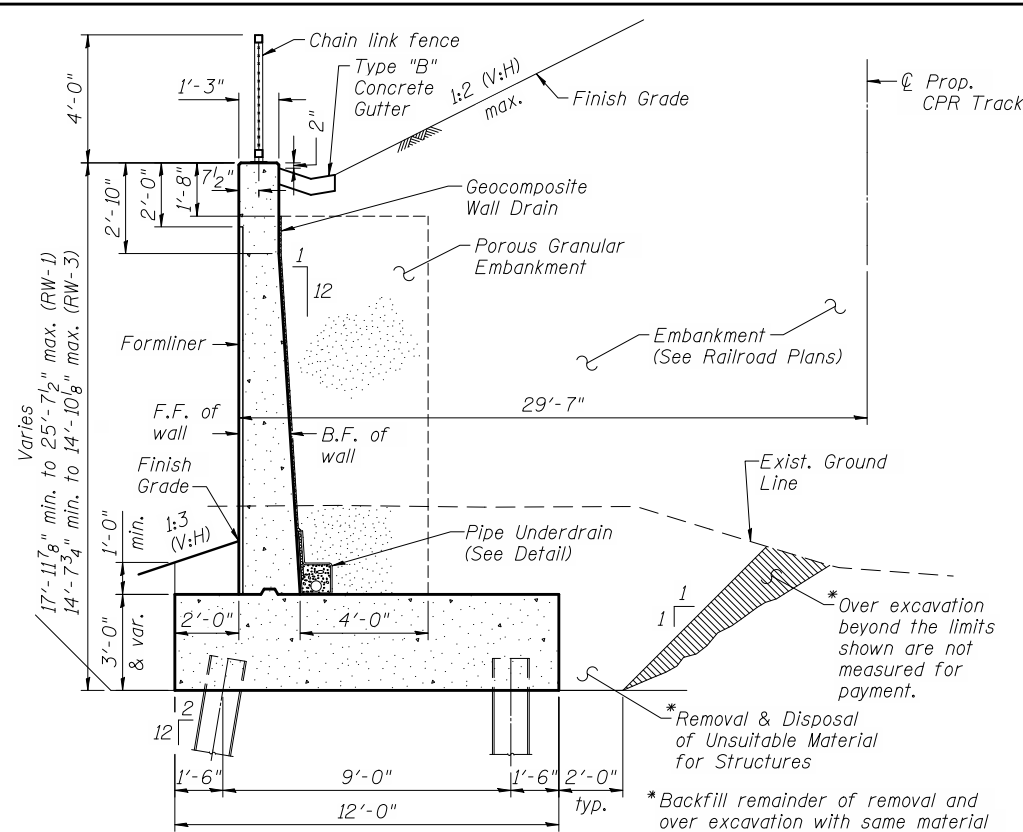


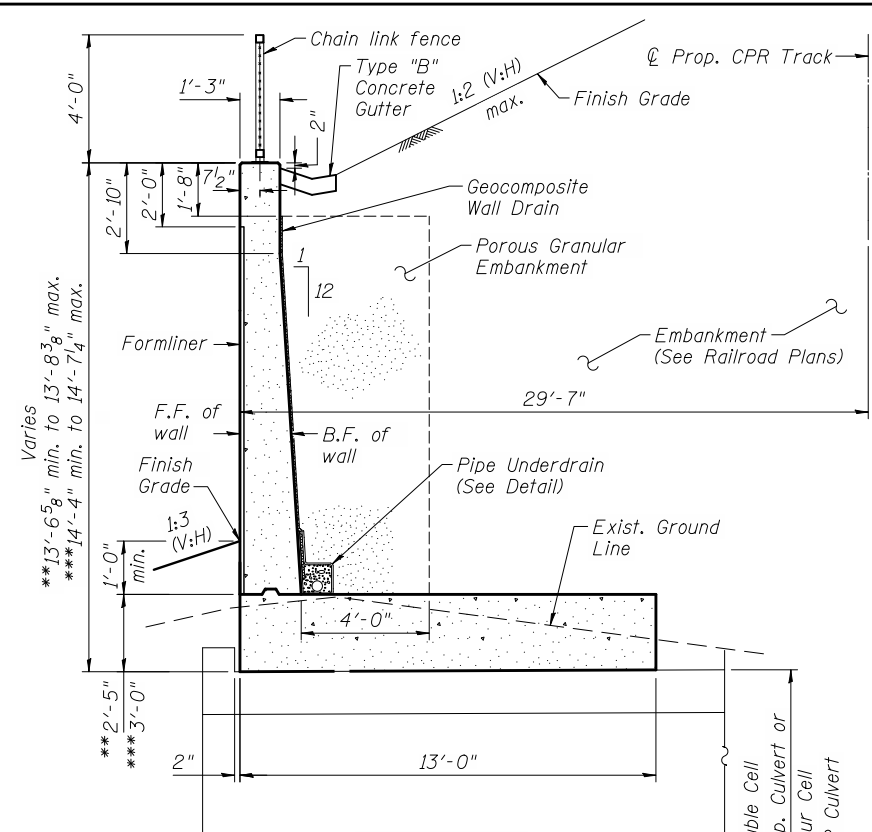
TYPICAL SECTION

Walls RW-1 SN 022-1001 (Sta. 10300+33.90 to Sta. 10300+63.90) & RW-3 SN 022-1003 (Sta. 10297+97.74 to Sta. 10298+27.74) (Looking downstation)



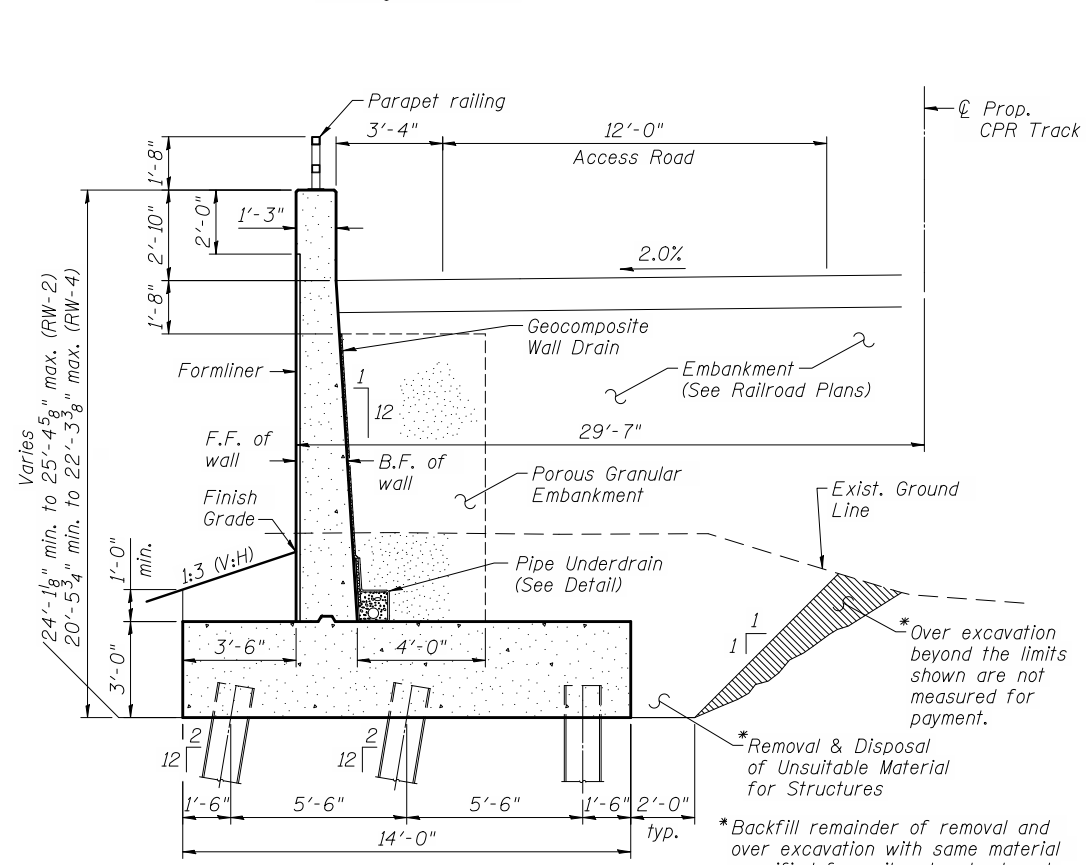
TYPICAL SECTION

Wall RW-1 SN 022-1001 (Sta. 10300+63.90 to Sta. 10302+55.90 and Sta. 10303+78.69 to Sta. 10303+95.86) & RW-3 SN 022-1003 (Sta. 10297+74.99 to Sta. 10297+97.74) (Looking downstation)



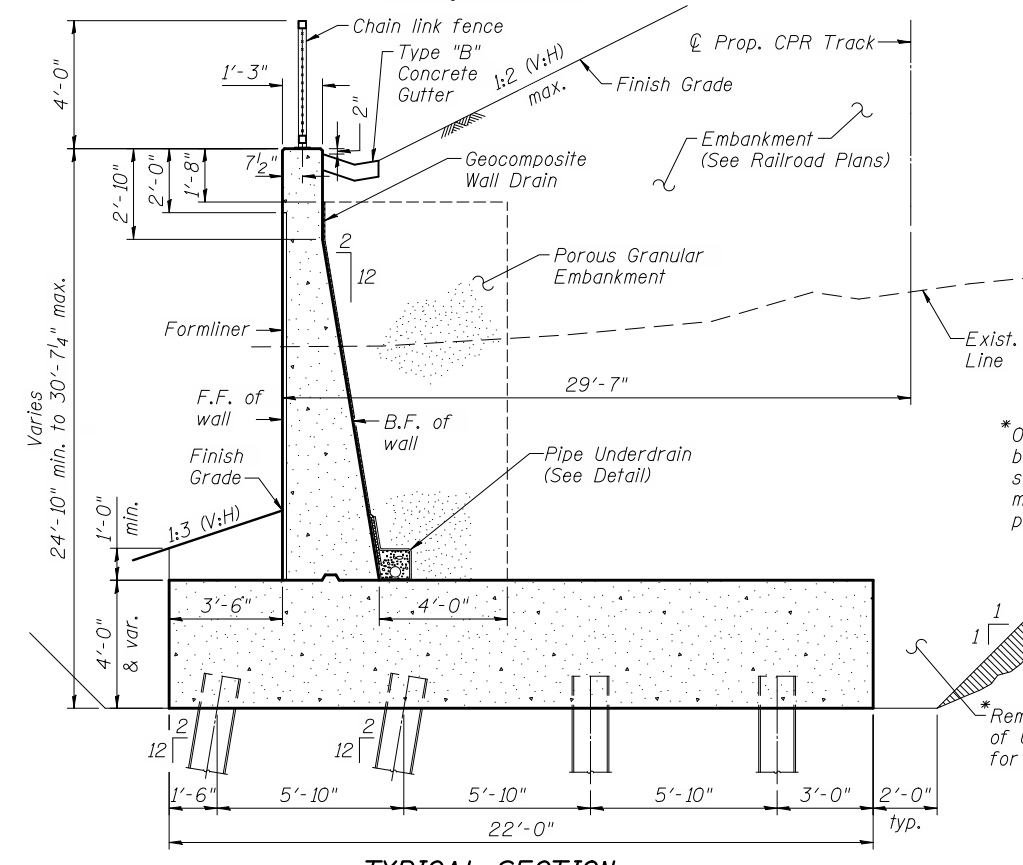
TYPICAL SECTION

Wall RW-1 SN 022-1001 (Sta. 10302+80.78 to Sta. 10303+54.70) (Looking downstation) Wall RW-2 SN 022-1002 similar (Sta. 20302+84.32 to Sta. 20303+58.23)



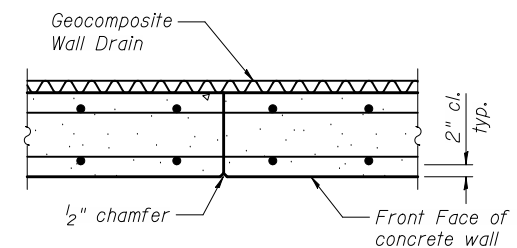
TYPICAL SECTION

Walls RW-2 SN 022-1002 & RW-4 SN 022-1004

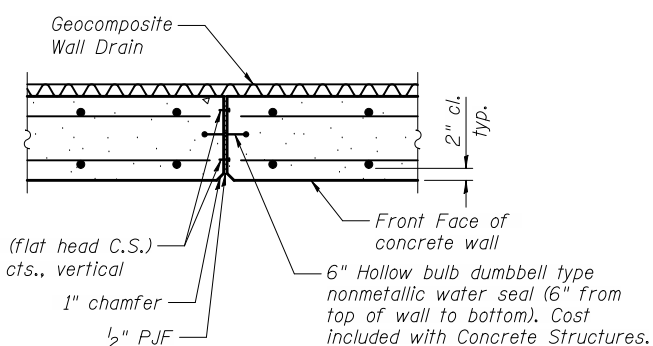


TYPICAL SECTION

Wall RW-1 SN 022-1001 (Sta. 10302+55.90 to Sta. 10302+80.78 and Sta. 10303+54.70 to Sta. 10303+78.69) (Looking downstation)



CONSTRUCTION JOINT DETAIL



EXPANSION JOINT DETAIL

ca:\pwworking\oma\d0593503\WXXX-60B42-004-TYP.dgn jmlgus

11/2/2012 11:30:36 AM



USER NAME = jmlgus	DESIGNED - BWC	REVISED -
FILE NAME = WXXX-60B42-004-TYP.DGN	CHECKED - JAR	REVISED -
PLOT SCALE = NONE	DRAWN - JM	REVISED -
PLOT DATE = 11/2/2012	CHECKED - JAR	REVISED -

STATE OF ILLINOIS
DEPARTMENT OF TRANSPORTATION

TYPICAL DETAILS
CPR RETAINING WALLS

SHEET NO. 4 OF 42 SHEETS

F.A.P. RTE.	SECTION	COUNTY	TOTAL SHEETS	SHEET NO.
345A	32VB	DU PAGE	388	206
CONTRACT NO. 60W01				

ILLINOIS FED. AID PROJECT