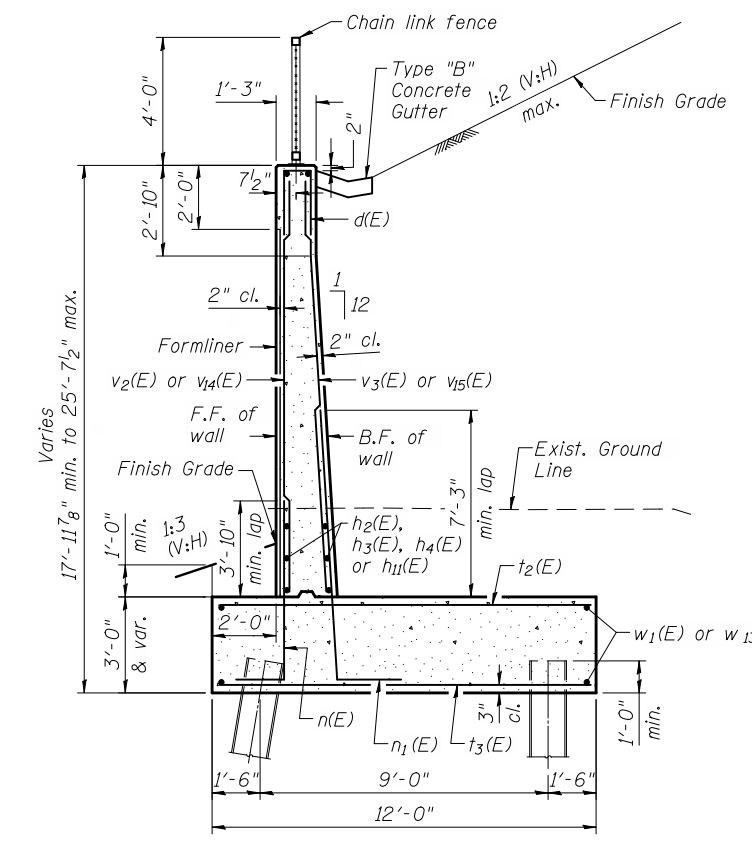
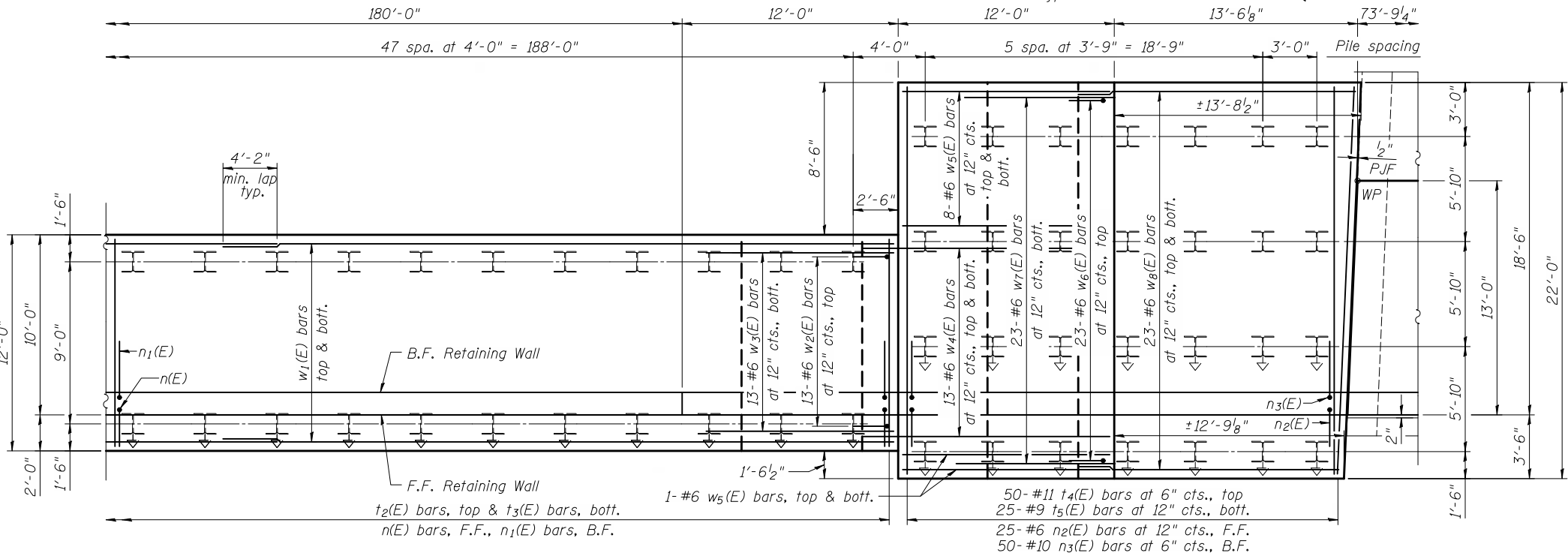


**SECTION A-A**  
(Looking downstation)



**SECTION B-B**  
(Looking downstation)

\* Note: B.F. of wall sloped 2H:12V. See Section E-E on Sheet 11.

**PARTIAL ELEVATION - CPR RW-1**  
(Front Face Looking West)

**PARTIAL FOOTING PLAN - CPR RW-1**

ca:\pwworking\oma\d0593503\WXXX-60B42-007-WEL.DGN  
jmlgus

11/2/2012 11:30:58 AM



|                                    |                |           |
|------------------------------------|----------------|-----------|
| USER NAME = jmlgus                 | DESIGNED - BWC | REVISED - |
| FILE NAME = WXXX-60B42-007-WEL.DGN | CHECKED - JAR  | REVISED - |
| PLOT SCALE = NONE                  | DRAWN - JM     | REVISED - |
| PLOT DATE = 11/2/2012              | CHECKED - JAR  | REVISED - |

**STATE OF ILLINOIS  
DEPARTMENT OF TRANSPORTATION**

**CPR RW-1 PLAN AND ELEVATION  
CPR RETAINING WALLS**

SHEET NO. 9 OF 42 SHEETS

|                    |         |         |              |           |
|--------------------|---------|---------|--------------|-----------|
| F.A.P. RTE.        | SECTION | COUNTY  | TOTAL SHEETS | SHEET NO. |
| 345A               | 32VB    | DU PAGE | 388          | 211       |
| CONTRACT NO. 60W01 |         |         |              |           |

ILLINOIS FED. AID PROJECT