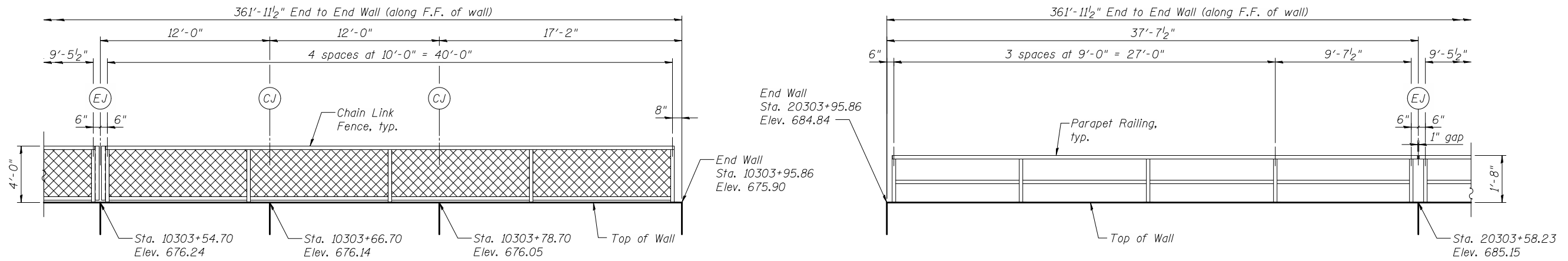


**PARTIAL ELEVATION - CPR RW-1**

(Front Face Looking West)

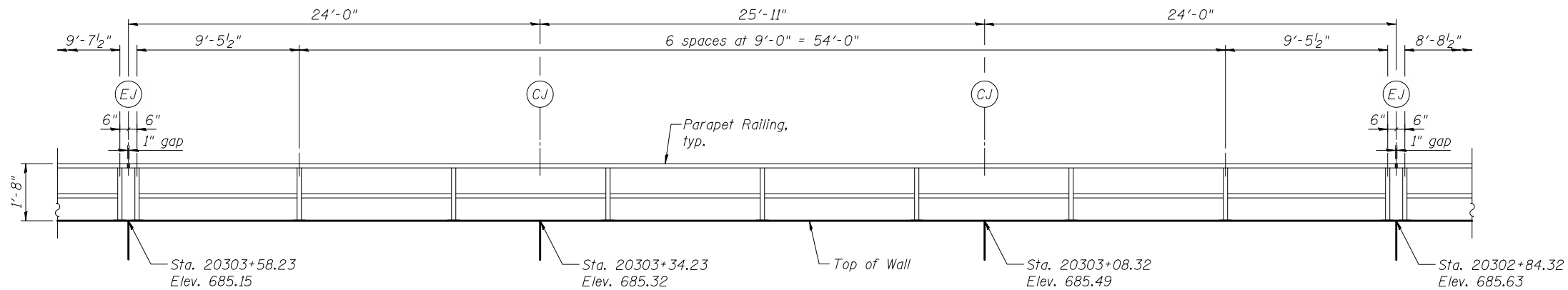


**PARTIAL ELEVATION - CPR RW-1**

(Front Face Looking West)

**PARTIAL ELEVATION - CPR RW-2**

(Front Face Looking East)



**PARTIAL ELEVATION - CPR RW-2**

(Front Face Looking East)

ca:\pwworking\oma\0593503\WXXX-60B42-029-RDT.DGN  
jmgus

11/2/2012  
11:31:59 AM



USER NAME = jmgus	DESIGNED - JM	REVISED -
FILE NAME = WXXX-60B42-029-RDT.DGN	CHECKED - JAR	REVISED -
PLOT SCALE = NONE	DRAWN - JM	REVISED -
PLOT DATE = 11/2/2012	CHECKED - JAR	REVISED -

**STATE OF ILLINOIS  
DEPARTMENT OF TRANSPORTATION**

**RAILING DETAILS  
CPR RETAINING WALLS**

SHEET NO. 30 OF 42 SHEETS

F.A.P. RTE.	SECTION	COUNTY	TOTAL SHEETS	SHEET NO.
345A	32VB	DU PAGE	388	232
CONTRACT NO. 60W01				
ILLINOIS FED. AID PROJECT				