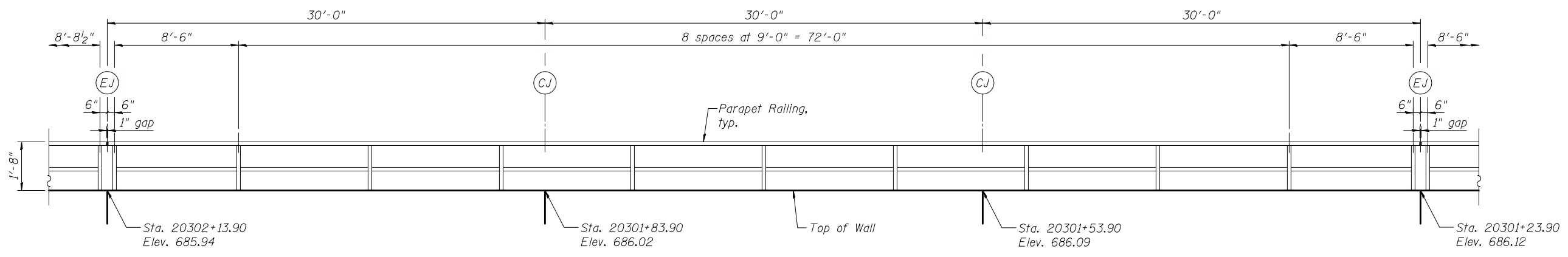
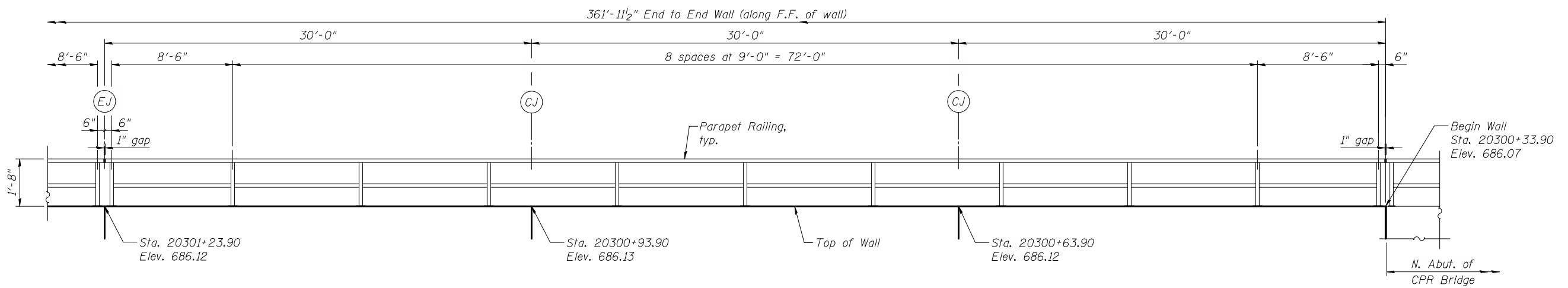


PARTIAL ELEVATION - CPR RW-2
(Front Face Looking East)



PARTIAL ELEVATION - CPR RW-2
(Front Face Looking East)



PARTIAL ELEVATION - CPR RW-2
(Front Face Looking East)

ca:\pwworking\oma\d0593503\WXXX-60B42-029-RDT.DGN
jmgus

11/2/2012
11:32:00 AM



USER NAME = jmgus	DESIGNED - JM	REVISED -
FILE NAME = WXXX-60B42-029-RDT.DGN	CHECKED - JAR	REVISED -
PLOT SCALE = NONE	DRAWN - JM	REVISED -
PLOT DATE = 11/2/2012	CHECKED - JAR	REVISED -

**STATE OF ILLINOIS
DEPARTMENT OF TRANSPORTATION**

**RAILING DETAILS
CPR RETAINING WALLS**

SHEET NO. 31 OF 42 SHEETS

F.A.P. RTE.	SECTION	COUNTY	TOTAL SHEETS	SHEET NO.
345A	32VB		388	233
CONTRACT NO. 60W01				
ILLINOIS FED. AID PROJECT				