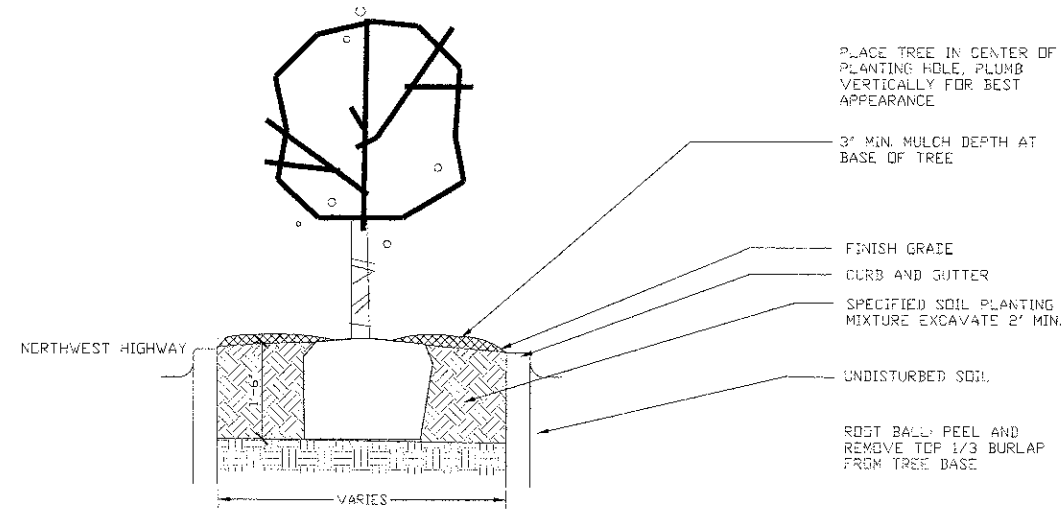
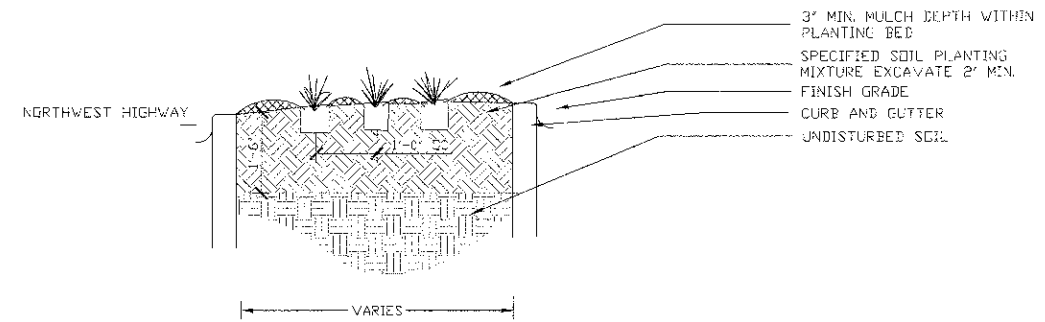


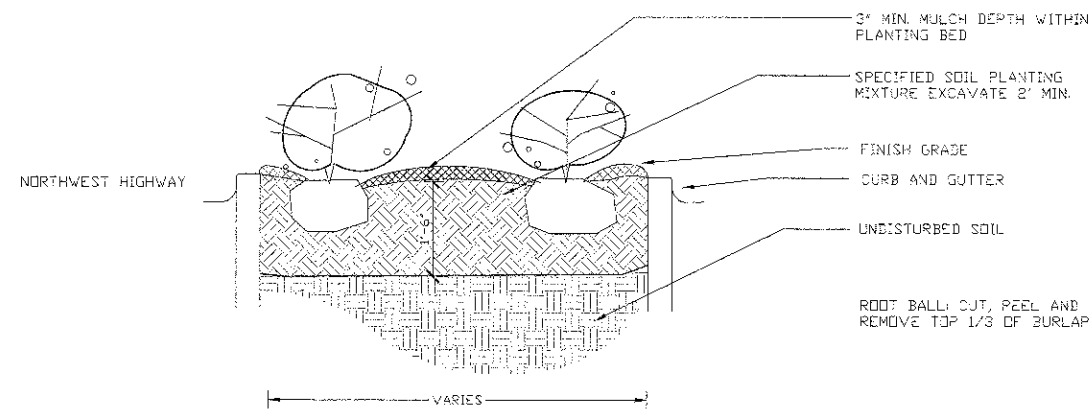
PLAN	DATE
BY	
NO. 1	
NO. 2	
NO. 3	
NO. 4	
NO. 5	
NO. 6	
NO. 7	
NO. 8	
NO. 9	
NO. 10	



1 TYPICAL DECIDUOUS TREE PLANTING DETAIL
NOT TO SCALE



3 TYPICAL PERENNIAL PLANTING DETAIL
NOT TO SCALE



2 TYPICAL SHRUB PLANTING DETAIL
NOT TO SCALE

PROFILL	DATE
BY	
NO. 1	
NO. 2	
NO. 3	
NO. 4	
NO. 5	
NO. 6	
NO. 7	
NO. 8	
NO. 9	
NO. 10	

2 NORTHWEST HIGHWAY & GREGORY STREET PLANTING PLAN
SCALE: 1"=20'-0"

Village of Arlington Heights
33 S. Arlington Heights Road
Arlington Heights IL 60005
LANDSCAPE PLAN DETAILS

Date:
10/26/06

Revisions:

Scale:

Checked By:

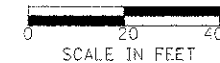
Project Number:

Drawn By:

Sheet Number:
L.3

USER NAME = #USER#	DESIGNED -	REVISED -
	DRAWN -	REVISED -
PLOT SCALE = #SCALE#	CHECKED -	REVISED -
PLOT DATE = #DATE#	DATE - 10/22/12	REVISED -

STATE OF ILLINOIS
DEPARTMENT OF TRANSPORTATION



LANDSCAPE PLANTING PLAN

SHEET NO. 3 OF 6 SHEETS

F.A.U. RTE.	SECTION	COUNTY	TOTAL SHEETS	SHEET NO.
3512	C2-00177-00 WR	COOK	142	85
PROJECT NO. M-8003(426)			CONTRACT NO. 63514	
FED. ROAD DIST. NO. 1 ILLINOIS FED. AID PROJECT				