

PLAN	DATE
SURVEYED	BY
ALIGNED	BY
NOTED	BY
NO.	DATE

PROFILE	DATE
SURVEYED	BY
NOTED	BY
NO.	DATE

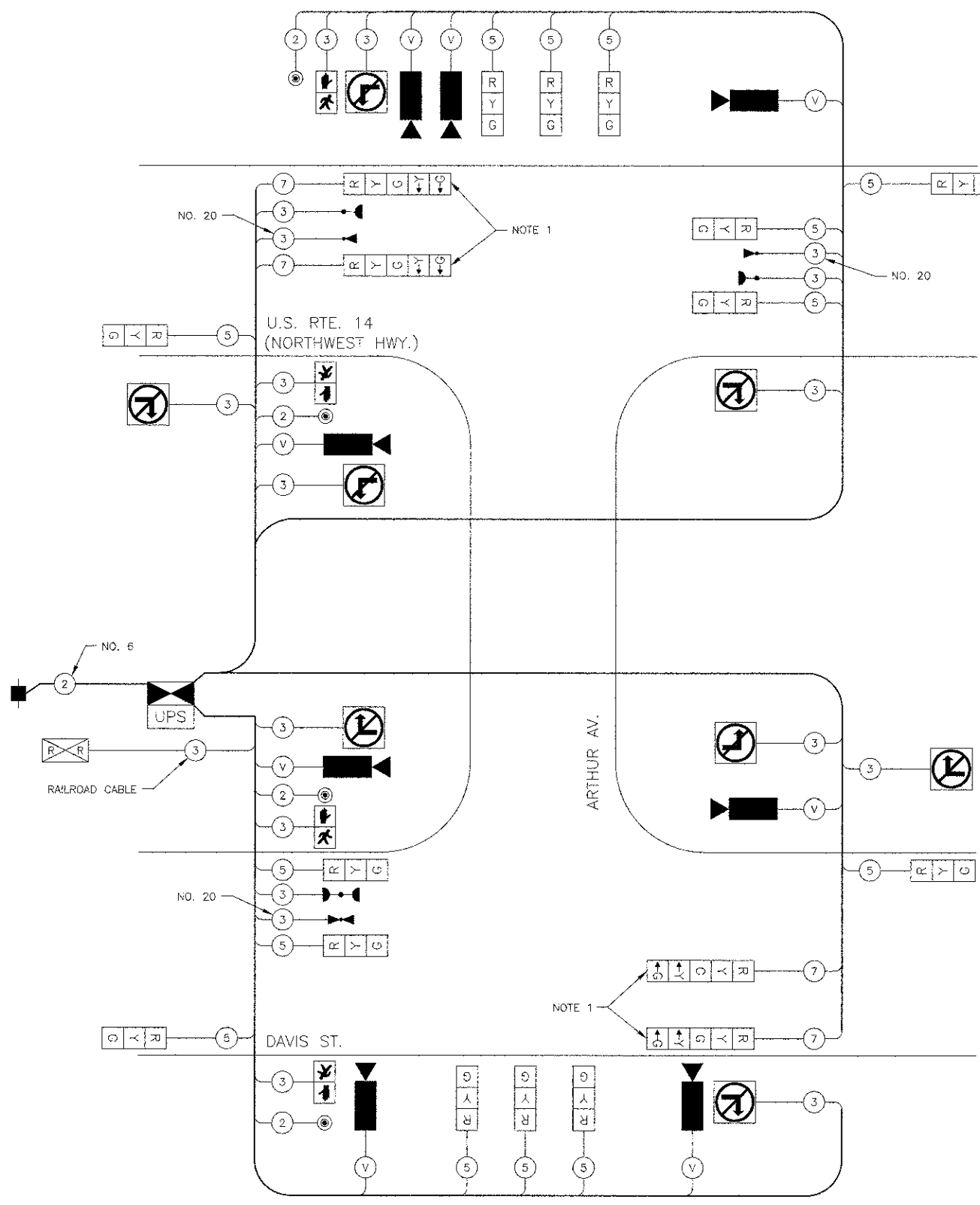
I.D.O.T. TRAFFIC SIGNAL INSTALLATION ELECTRICAL SERVICE REQUIREMENTS					TOTAL WATTAGE
TYPE	NO. LAMPS	WATTAGE		% OPERATION	
SIGNAL (RED)	18	INCAND.	17	0.50	153
(YELLOW)	18		25	0.25	113
(GREEN)	18		15	0.25	68
ARROW	8		12	0.10	10
PED. SIGNAL	4		25	1.00	100
CONTROLLER	1		100	1.00	100
BLANK OUT SIGN	8		25	0.05	10
TOTAL =					554

ENERGY COSTS TO: VILLAGE OF ARLINGTON HEIGHTS
33 S. ARLINGTON HEIGHTS ROAD
ARLINGTON HEIGHTS, IL 60005

ENERGY SUPPLY: CONTACT: JUDITH SCHOMER
PHONE: 630-691-4407
COMPANY: COM ED

NOTES FOR TEMPORARY TRAFFIC SIGNALS

- THE LEFT TURN SECTIONS OF THESE SIGNAL HEADS SHALL BE BAGGED AND THE PHASES DISCONNECTED WHEN THE ARTHUR AVENUE CROSSING IS CLOSED.



TEMPORARY CABLE PLAN
NOT TO SCALE