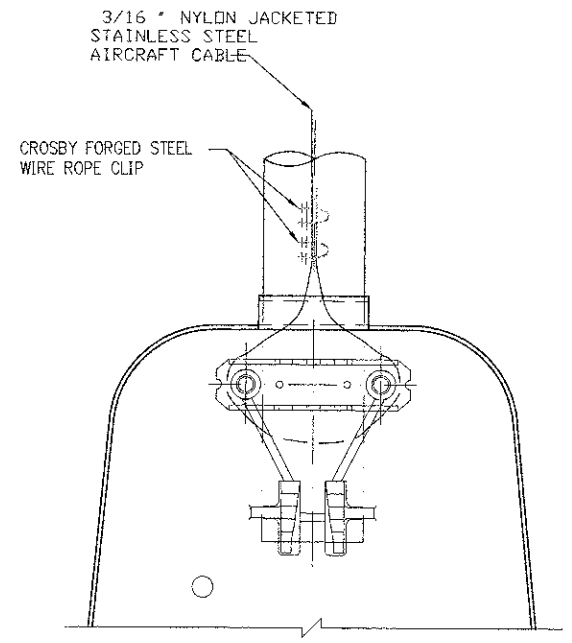


SIDE VIEW

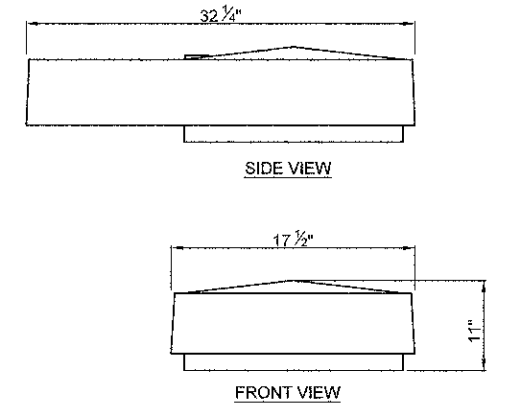
NOTES:

1. THE LUMINAIRE SAFETY CABLE ASSEMBLY SHALL BE FURNISHED AND INSTALLED BY THE CONTRACTOR, AND SHALL BE PAID FOR SEPARATELY.
2. CONTRACTOR SHALL ADJUST THE WIRE CLIP TO ELIMINATE ANY SLACK FROM THE WIRE ROPE.
3. THE 3/16 " NYLON JACKETED STAINLESS STEEL AIRCRAFT CABLE SHALL REMAIN VISIBLE FROM THE GROUND LEVEL.
4. THE BREAKING STRENGTH OF THE CABLE SHALL . BE 2000 lbs. MIN.

1 SPLITFITTER LUMINAIRE KEEPER PHYSICAL INSTALLATION DETAIL
NOT TO SCALE



BOTTOM VIEW

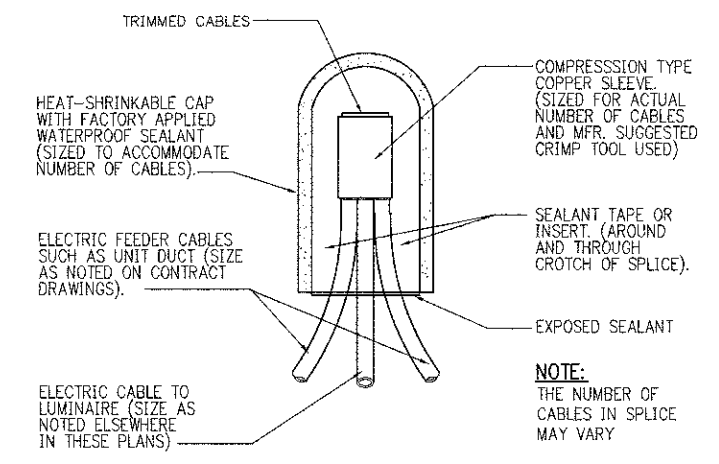


SIDE VIEW

FRONT VIEW

- MANUFACTURER : AMERICAN ELECTRIC LIGHTING
TYPE : 30-40-S-CA-R3-FG-BZ-UL-SS, (TYPE A)
120 / 240V, 400W HPS, 50,000 LIGHT LUMENS,
APPROX. WEIGHT 30 LBS.
- MANUFACTURER : AMERICAN ELECTRIC LIGHTING
TYPE : 30-25-S-CA-R3-FG-BZ-UL-SS, (TYPE B)
120 / 240V, 250W HPS, 28,000 LIGHT LUMENS,
APPROX. WEIGHT 30 LBS.

2 LUMINAIRE DETAIL
NOT TO SCALE



SPLICING ELECTRIC CABLES

3 BASIC MATERIALS AND METHODS
NOT TO SCALE



REVISIONS	
NAME	DATE

E16 OF E24

VILLAGE OF ARLINGTON HEIGHTS

DETAILS-2

U.S. ROUTE 14

NOT TO SCALE

DATE: 08/17/2012
DESIGNED BY: EE
TECHNICIAN: EE
CHECKED BY: DEM