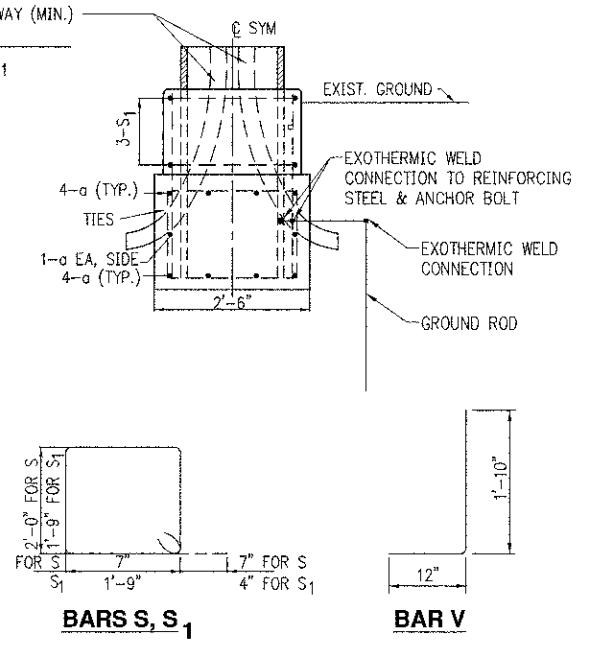
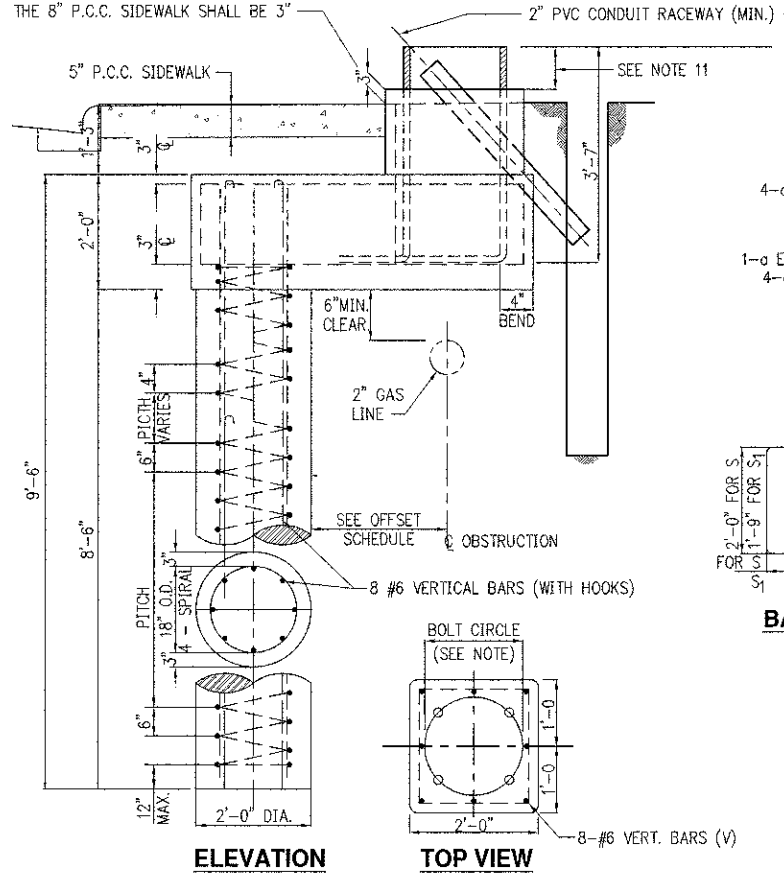


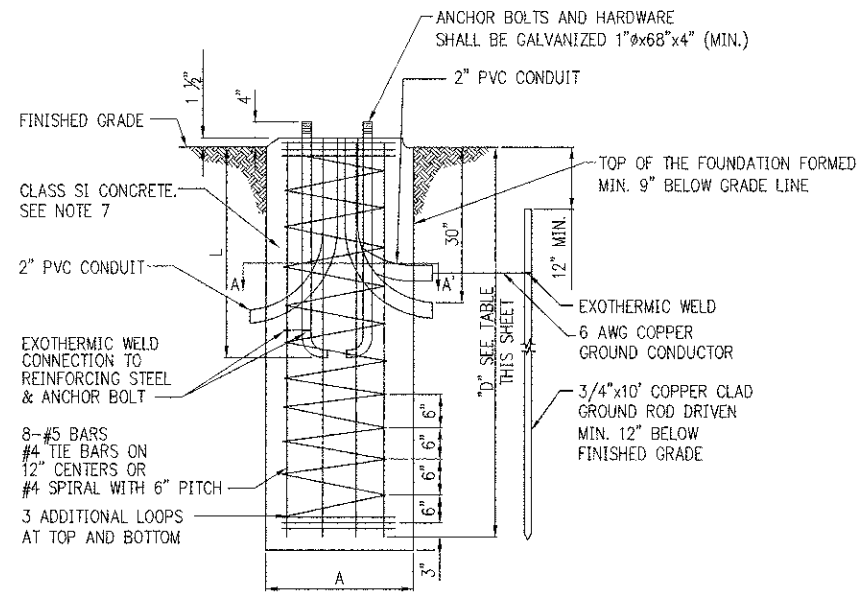
THE MAXIMUM DISTANCE BETWEEN THE TOP OF THE FOUNDATION & THE TOP OF THE 8" P.C.C. SIDEWALK SHALL BE 3"



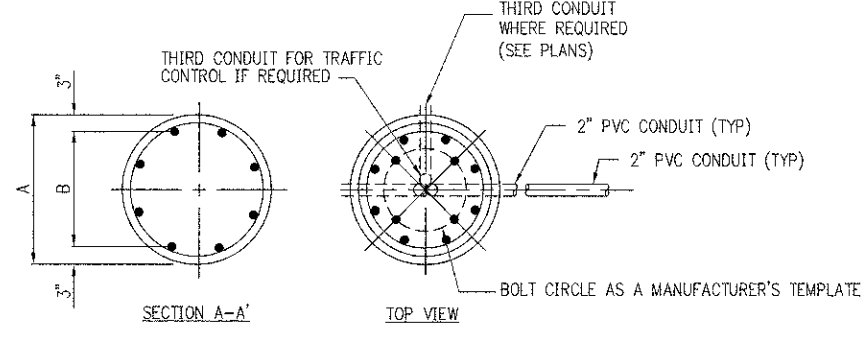
NOTE:  
ANCHOR BOLT DIMENSIONS TO BE VERIFIED WITH POLE MANUFACTURER AND COORDINATED WITH FOUNDATION DESIGN.

BILL OF MATERIALS				
MARK	NUMBER	SIZE	LENGTH	SHAPE
a	10	6	OFFSET-4"	
S	14	4	5'-6"	*
S <sub>1</sub>	3	3	7'-8"	
V	8	6	2'-10"	

\* - VARIES WITH OFFSET

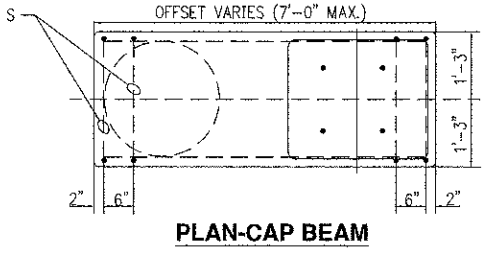


LIGHTING FOUNDATION DIMENSIONS				
MOUNTING HEIGHT	A	B	L	ANCHOR BOLT DIAMETER
35'-0"	24"	18"	56"	1"
47'-6"	30"	24"	60"	1"

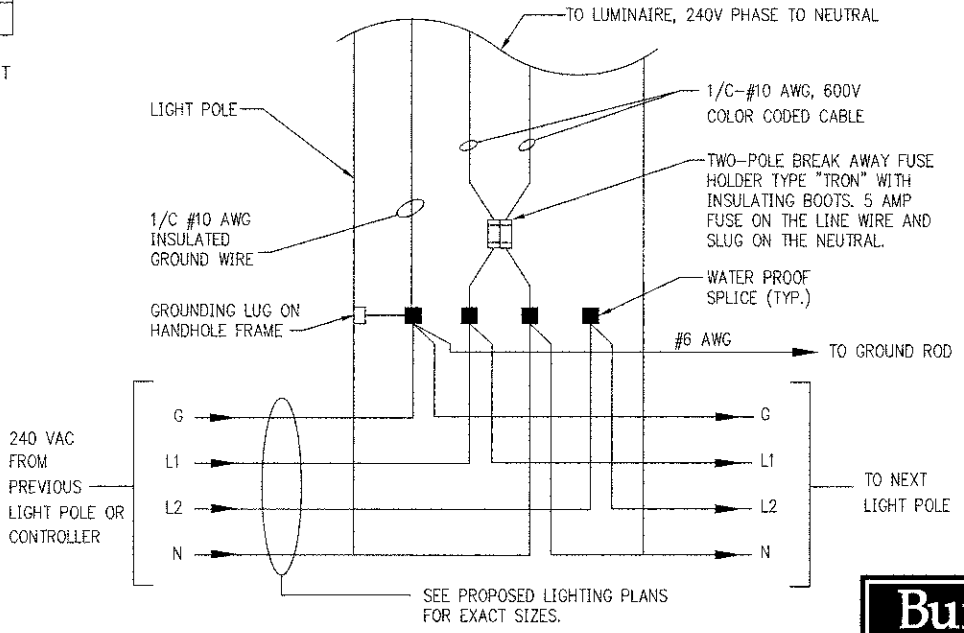


2 LIGHT POLE FOUNDATION DETAIL  
NOT TO SCALE

- NOTES:
- THE ENGINEER SHALL DETERMINE THE CLASS OF SOIL DURING THE EXCAVATION AND SELECT THE DEPTH OF THE FOUNDATION FROM THE DESIGN TABLES.
  - EXCAVATION OF THE FOUNDATION SHALL BE MADE WITH A 30" DIAMETER AUGER UNLESS LARGER DIAMETER IS REQUIRED FOR ANCHOR BOLT PATTERN. MINIMUM DIAMETER OF SHAFT SHALL BE ANCHOR BOLT CIRCLE DIAMETER + 12".
  - THE CONTRACTOR SHALL USE A NO. 3 SPIRAL CAGE WITH A 6" PITCH, OR AT HIS OPTION, MAY SUBSTITUTE WITH NO. 3 HOOPS AT 12" ON CENTERS.
  - EACH ANCHOR BOLT SHALL BE FURNISHED WITH (2) FLAT WASHERS AND (2) HEX NUTS. THEY SHALL BE EITHER GALVANIZED OR STAINLESS STEEL TO MATCH THE ANCHOR BOLTS.
  - RACEWAYS SHALL BE INSTALLED PARALLEL TO THE EDGE OF PAVEMENT.
  - ANCHOR BOLTS, RACEWAYS, AND REINFORCING STEEL SHALL BE SECURED IN PLACE BEFORE THE CONCRETE IS PLACED IN THE FORM.
  - CONCRETE SHALL BE AN IDOT CLASS SI MIX, WITH A MINIMUM STRENGTH OF 3500 PSI.
  - THE CONCRETE SHALL CURE FOR A MINIMUM OF 10 DAYS BEFORE ERECTING THE LIGHT POLE.
  - THE CABLE TRENCH SHALL BE BACKFILLED AND FIRMLY COMPACTED BEFORE ERECTING THE LIGHT POLE.
  - ANCHOR BOLTS SHALL PROJECT A MINIMUM OF 2" AND A MAXIMUM OF 4" ABOVE THE TOP OF THE FOUNDATION AND PER BREAKAWAY DEVICE MANUFACTURER REQUIREMENTS.
  - RACEWAYS SHALL PROJECT 1" ABOVE THE TOP OF THE FOUNDATION.
  - ALL GROUND ROD CONNECTIONS SHALL BE MADE BELOW GRADE, 12" MIN. BURY, WITH EXOTHERMIC OF INERT GAS WELDS.
  - THE ANCHOR RODS SHALL BE ACCORDING TO ASTM F1554 GRADE 725 (GRADE 105). NUTS SHALL BE HEXAGON NUTS ACCORDING TO ASTM A 194 2H OR ASTM A 563 DH, AND WASHERS SHALL BE ACCORDING TO ASTM F 436.



1 OFFSET FOUNDATION DETAIL FOR LIGHT POLE  
NOT TO SCALE



3 LIGHT POLE HANDHOLE WIRING DETAIL  
NOT TO SCALE

TYPE OF SOIL	DESIGN DEPTH		REINFORCEMENT IN FOUNDATION			
	SINGLE ARM D	TWIN ARM D	SINGLE ARM VERT. BARS	SPIRAL	TWIN ARM VERT. BARS	SPIRAL
SOFT CLAY	13'-0"	15'-0"	4-#6X12'-6"	#3X122'	4-#6X14'-6"	#3X141'
MEDIUM CLAY	9'-6"	10'-9"	4-#6X9'-0"	#3X90'	4-#6X10'-3"	#3X100'
STIFF CLAY	8'-0"	8'-0"	4-#6X7'-6"	#3X76'	4-#6X7'-6"	#3X76'
LOOSE SAND	9'-0"	10'-0"	4-#6X8'-6"	#3X85'	4-#6X9'-6"	#3X94'
MEDIUM SAND	8'-3"	9'-0"	4-#6X7'-9"	#3X78'	4-#6X8'-6"	#3X85'
DENSE SAND	8'-0"	9'-0"	4-#6X7'-6"	#3X76'	4-#6X8'-6"	#3X85'

- NOTES:
- CONTRACTOR AT HIS OPTION MAY SUBSTITUTE #3 HOOPS AT 12" ON CENTERS FOR SPIRAL CAGE
  - CONTRACTOR SHALL USE THE VALUES FOR TWIN ARM INSTALLATION FOR THIS PROJECT



REVISIONS	
NAME	DATE
REVISOR	11/13/2012

VILLAGE OF ARLINGTON HEIGHTS  
DETAILS-5  
U.S. ROUTE 14

NOT TO SCALE

DATE: 08/17/2012  
DESIGNED BY: EE  
TECHNICIAN: EE  
CHECKED BY: DEM