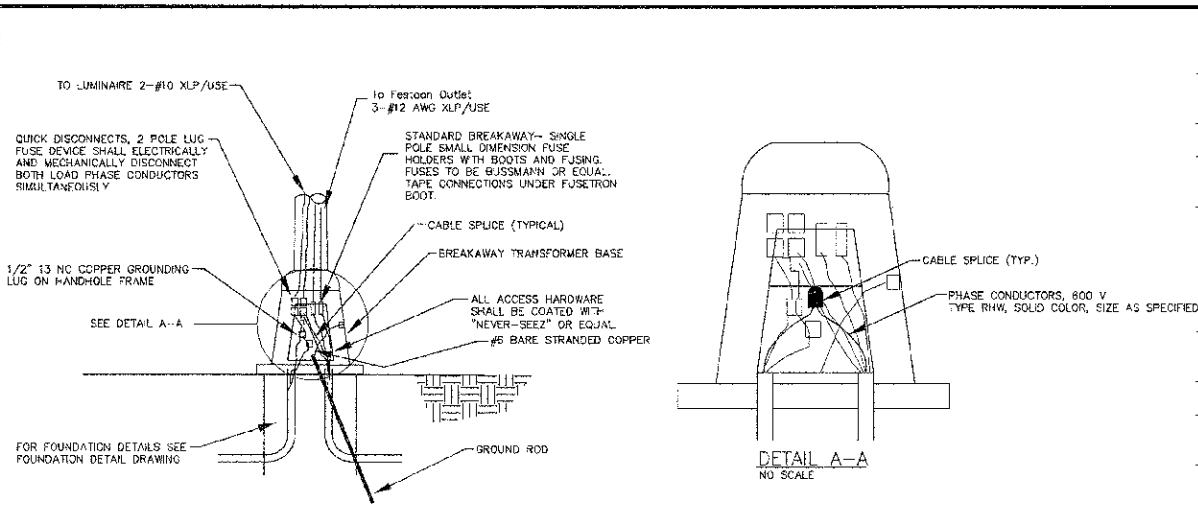
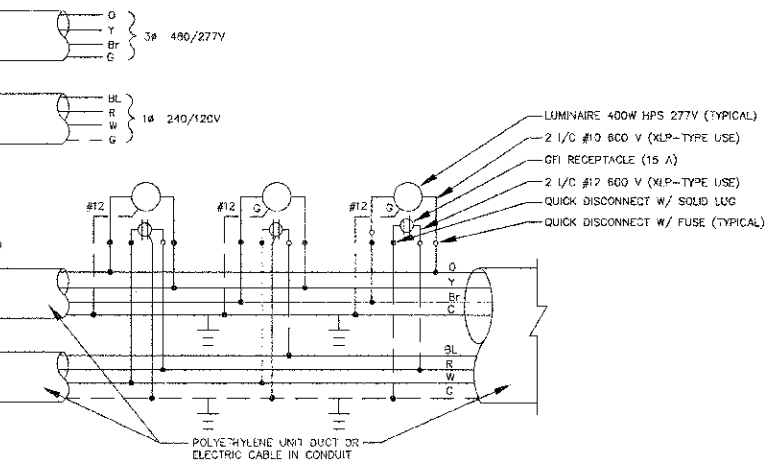


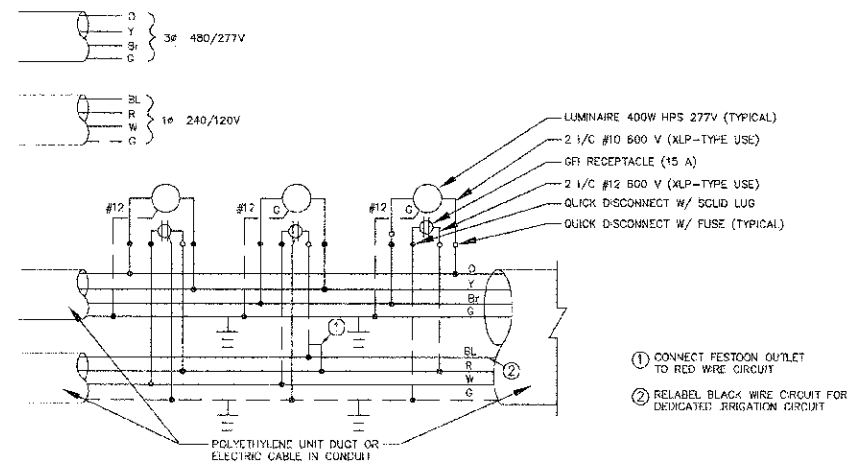
PROJECT: 03-0745-VILLAGE OF OAK BROOK, 22ND STREET IMPROVEMENTS (H. CHSH-03-05-00-CO-17)-ELECTRICAL DETAILS AND NOTES-DWG 12  
 PLOTTED: 12/19/2011 5:03 PM BY: T-KING  
 Copyright © 2011, by Hitchcock Design Group



EXISTING POLE BASE DETAIL  
NO SCALE

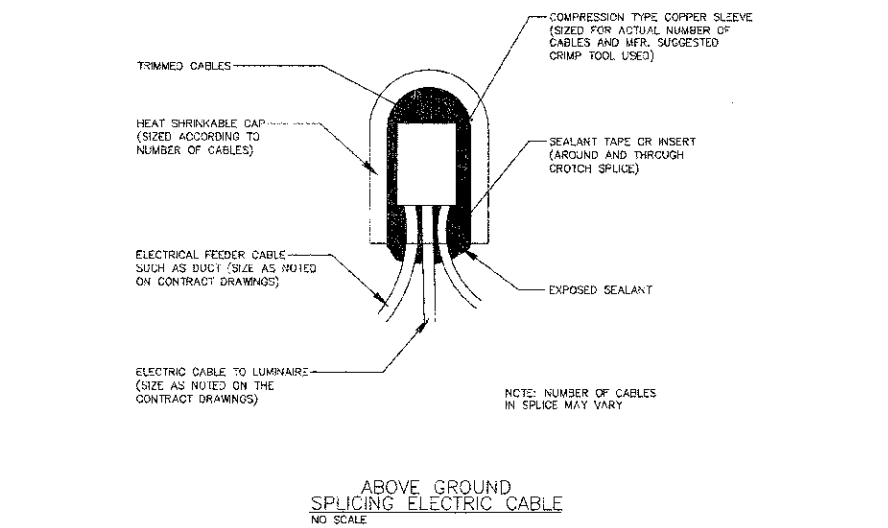


EXISTING LIGHT POLE WIRING W/FESTOON  
 240/120 VOLT 1 PHASE 6 WIRE  
 480/277 VOLT 3 PHASE LIGHTING  
 240/120 VOLT 1 PHASE FESTOON

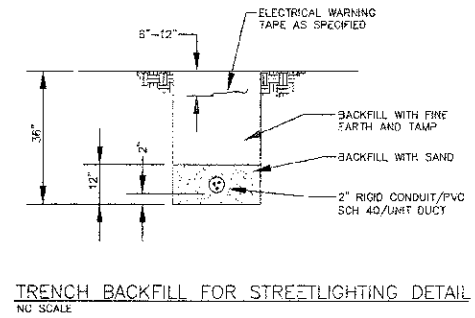


EXISTING LIGHT POLE WIRING W/FESTOON (MODIFIED)  
 240/120 VOLT 1 PHASE 6 WIRE  
 480/277 VOLT 3 PHASE LIGHTING  
 240/120 VOLT 1 PHASE FESTOON

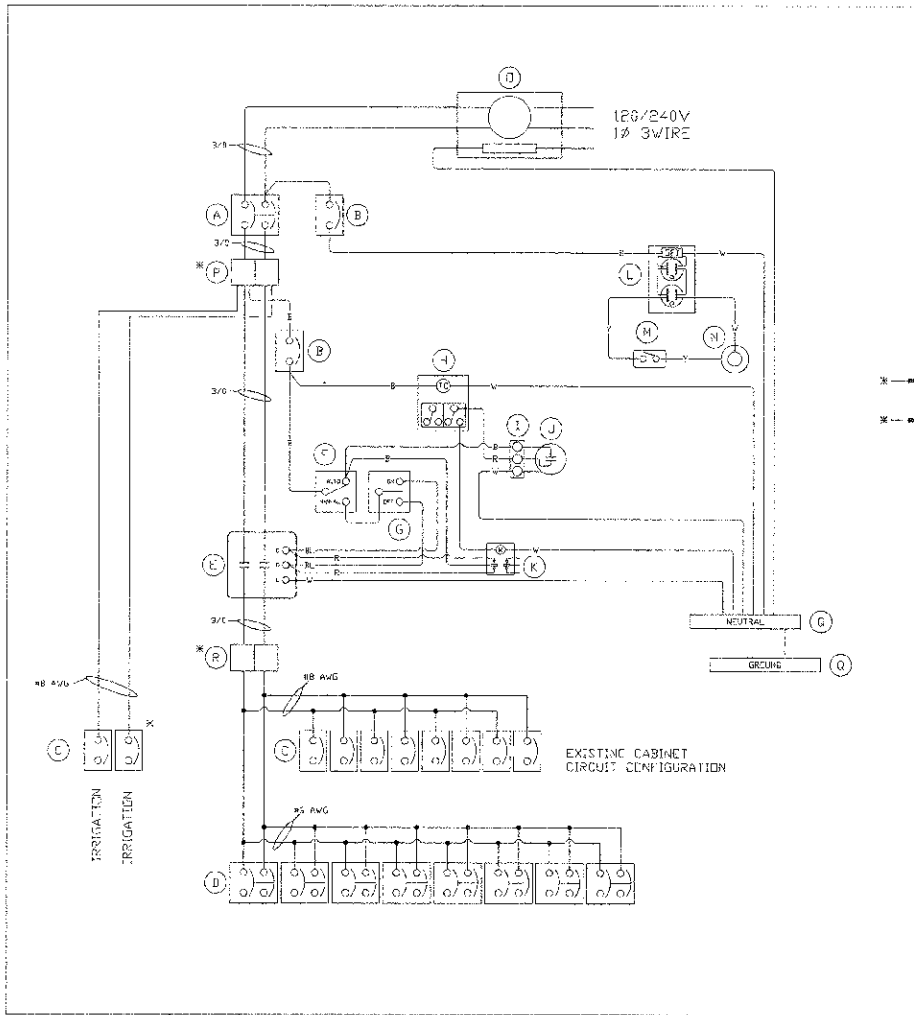
- ① CONNECT FESTOON OUTLET TO RED WIRE CIRCUIT
- ② RELABEL BLACK WIRE CIRCUIT FOR DEDICATED IRRIGATION CIRCUIT



ABOVE GROUND SPlicing ELECTRIC CABLE  
NO SCALE



TRENCH BACKFILL FOR STREETLIGHTING DETAIL  
NO SCALE



BILL OF MATERIALS		
ITEM	QTY	DESCRIPTION
A	1	C/H EDE200L 2P 200A MAIN BREAKER
B	2	C/H GH01015 1P 15A CTRL/AUX BREAKER
C	5	C/H GH01030 1P 30A FESTOON BREAKERS
D	5	C/H GH02050 2P 50A BRANCH BREAKERS
E	1	SQ.B. 9903PV10V30 120V COIL CONTACTOR
F	1	LEVITON CSE3-20 3-WAY TUGGLE SWITCH
G	1	LEVITON 1257 MOMENTARY SWITCH
H	1	TRK DZSR003P 2 CH TIME CLOCK
I	1	CINCH 3PT TERMINAL BLOCK
J	1	FISHER PIERCE FPF105M PHOTOCCELL
K	1	MAGNECRAFT W389ACX-S 120V COIL RELAY
L	1	HUBBELL GF02L 20A GFCI RECP
M	1	MICRO BA-2301-A2 DOOR SWITCH
N	3	1848 VX1000S LIGHT FIXTURE
U	1	MILBANK J8949-PI-TT-KK METER FITTING
W	2	FERRAZ 62132 SPLICE BLOCK
X	2	12 x 1 x 1/4 GROUND/NEUTRAL BJS
R	2	FERRAZ 67622 SPLICE BLOCK

- NOTES:
- ALL POWER WIRING WILL BE RHW/RW
  - ALL CONTROL WIRING WILL BE #12 HTW
  - WIRE COLORS:  
 BL = BLUE  
 W = WHITE  
 B = BLACK  
 R = RED  
 Y = YELLOW

\* - CABINET MODIFICATION

SCALE: NTS	APPROVED BY:	DRAWN BY: J.L.H.
DATE: 11/23/11		REVISED:
VILLAGE OF OAK BROOK		
22ND STREET - ISTRM 1-06-5510		
FESTOON LIGHTING CONTROLLER		DRAWING NUMBER: 1120101 JB

EXISTING FESTOON CABINET SCHEMATIC



DESIGNED - MEU	REVISED -
DRAWN - BLG	REVISED -
CHECKED - TCK	REVISED -
DATE - 12-19-11	REVISED -

STATE OF ILLINOIS  
DEPARTMENT OF TRANSPORTATION

ELECTRICAL DETAILS AND NOTES

SCALE AS SHOWN PROJECT - 03-0745-008

F.A.U. RTE. 1463	SECTION 11-09043-00-LS	COUNTY DUPAGE	TOTAL SHEETS 20	SHEET NO. 12
CONTRACT 83663		ILLINOIS FED. AID PROJECT TE-001 (872)		