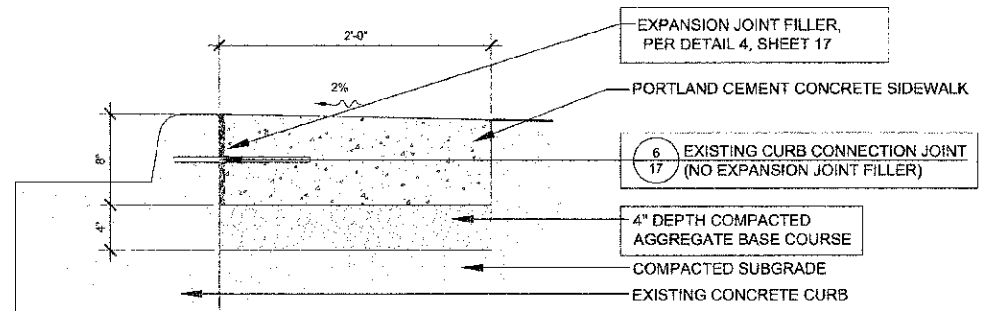
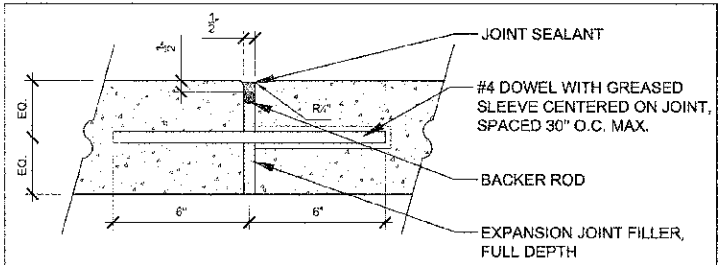


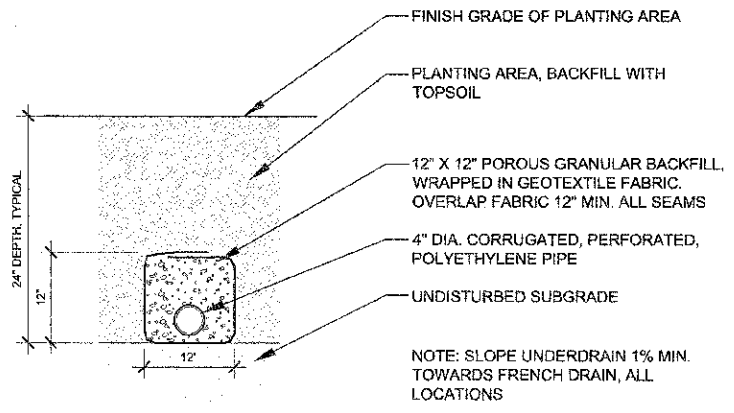
PROJECT: I-55/170/146-VIL-AGE OF OAK BROOK VOR-22ND STREET TEP ENHANCEMENTS V. GRAY-HHS (03-JD-CO-17-20-CONSTRUCTION DETAILS SHEET 17
 PLOT: 12/15/2011 12:42 PM BY: TKM
 PLOT: 12/15/2011 12:42 PM BY: TKM
 Copyright © 2011, by Hitchcock Design Group



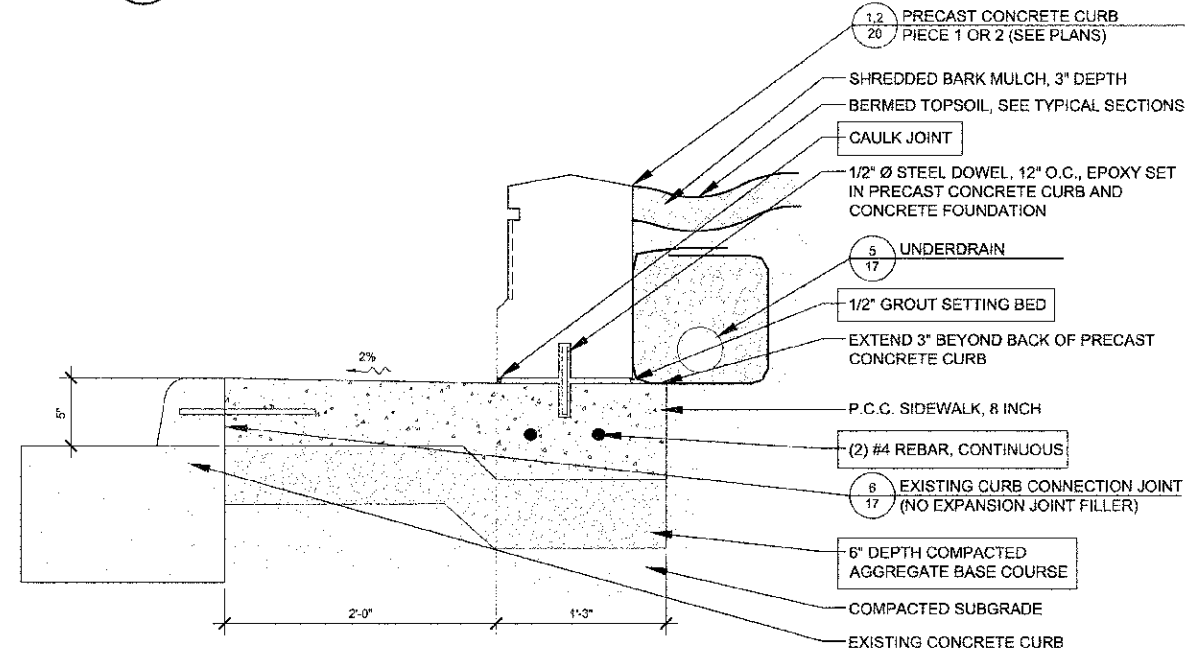
1 P.C.C. SIDEWALK 8 INCH, SPECIAL
 SCALE: 1 1/2" = 1'-0"
 D-GONC-STRIP



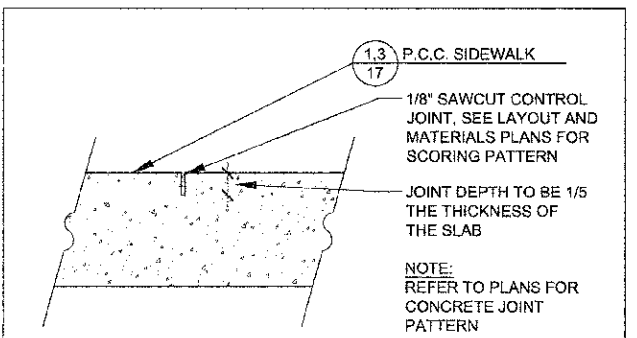
4 EXPANSION JOINT
 SCALE: 3" = 1'-0"
 D-JOINT-EXP



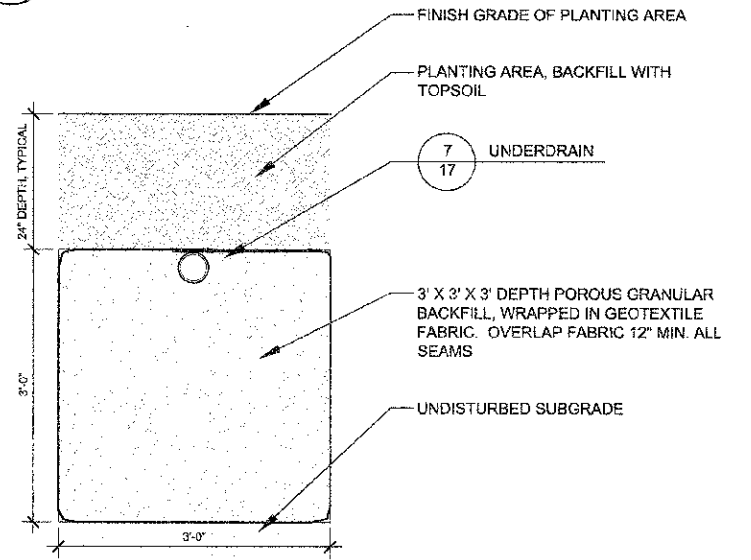
7 UNDERDRAIN
 SCALE: 1" = 1'-0"
 D-UNDERDRAIN



2 P.C.C. SIDEWALK 5 INCH, SPECIAL AT PRECAST CONCRETE CURB
 SCALE: 1 1/2" = 1'-0"
 D-GONC-STRIP-FOOTING

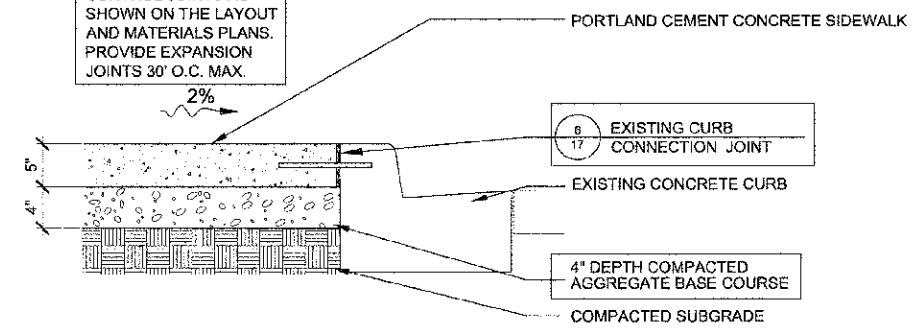


5 CONTROL JOINT
 SCALE: 3" = 1'-0"
 D-JOINT-CONTROL

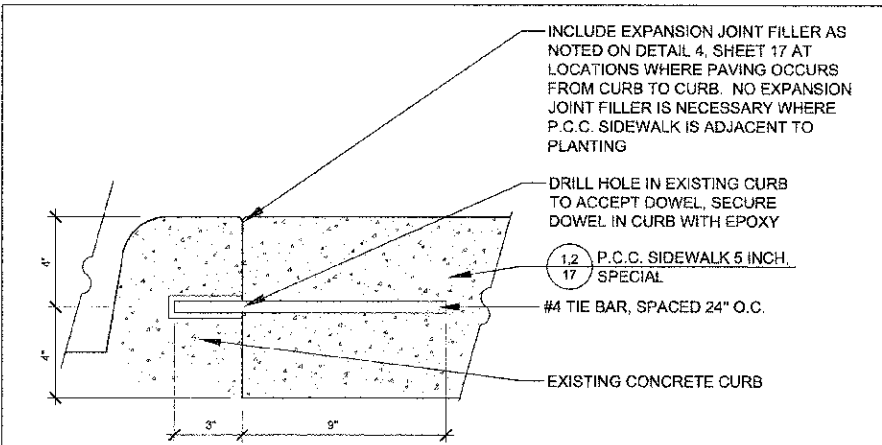


8 FRENCH DRAIN
 SCALE: 1" = 1'-0"
 D-FRENCH DRAIN

NOTE:
 PROVIDE SAWCUT CONTROL JOINTS AS SHOWN ON THE LAYOUT AND MATERIALS PLANS. PROVIDE EXPANSION JOINTS 30' O.C. MAX.



3 P.C.C. SIDEWALK 5 INCH, SPECIAL
 NOT TO SCALE
 D-GONC-PAV



6 EXISTING CURB CONNECTION JOINT
 SCALE: 3" = 1'-0"
 D-JOINT-EXP-EX CURB



HITCHCOCK DESIGN GROUP
 creating better places

DESIGNED - MEU	REVISED -
DRAWN - BLG	REVISED -
CHECKED - TCK	REVISED -
DATE - 12-19-11	REVISED -

STATE OF ILLINOIS
 DEPARTMENT OF TRANSPORTATION

CONSTRUCTION DETAILS

SCALE AS SHOWN PROJECT - 03-0745-008

F.A.U. RTE.	SECTION	COUNTY	TOTAL SHEETS	SHEET NO.
1453	11-00043-00-LS	DUPAGE	20	17
CONTRACT 63863				
FED. ROAD DIST. NO. 1 ILLINOIS FED. AID PROJECT TE-001 (872)				