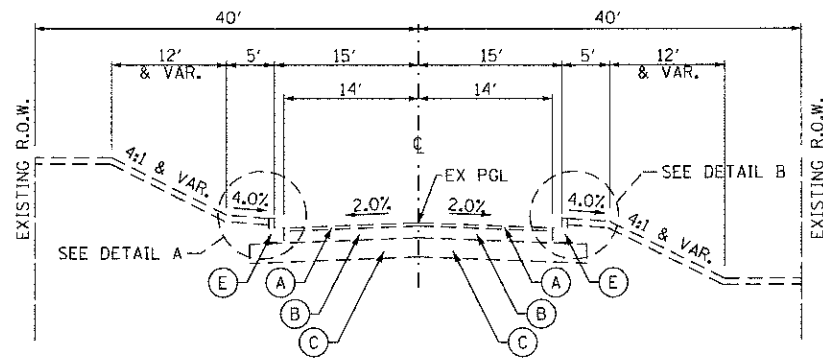
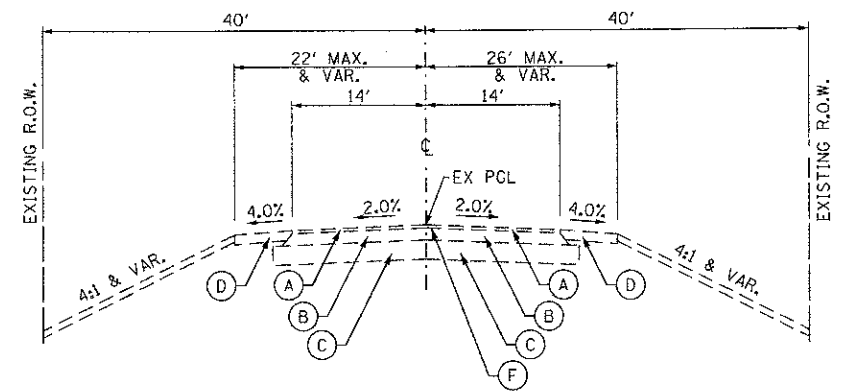


**EXISTING LEGEND**

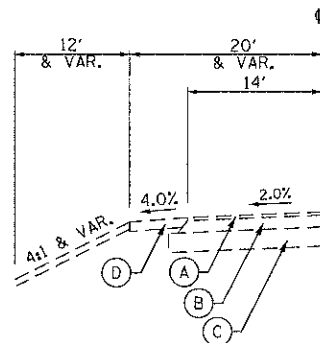
- (A) BITUMINOUS SURFACE COURSE, 1.5"
- (B) BITUMINOUS BASE COURSE:
  - MONAVILLE EAST AND WEST LEGS - 7.5"
  - CEDAR LAKE SOUTH LEG - VARIES 7.5"-9"
  - CEDAR LAKE NORTH LEG - VARIES 5.25"-6"
- (C) AGGREGATE SUB BASE:
  - MONAVILLE EAST AND WEST LEGS - 5"
  - CEDAR LAKE SOUTH LEG - 12"
  - CEDAR LAKE NORTH LEG - VARIES 5"-10"
- (D) AGGREGATE SHOULDER, 6"
- (E) CONCRETE CURB AND GUTTER, B-6.12
- (F) CRACK REFLECTIVE FABRIC



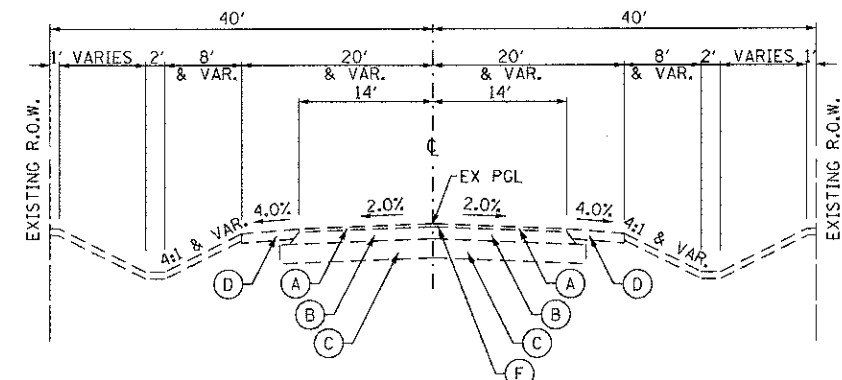
**EXISTING TYPICAL SECTION**  
MONAVILLE ROAD STA 101+57.24 TO 112+20.00



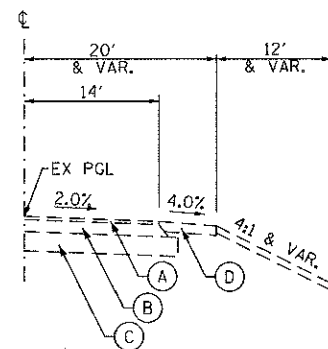
**EXISTING TYPICAL SECTION**  
CEDAR LAKE ROAD STA 65+66.79 TO 71+34.87  
(SOUTH LEG)



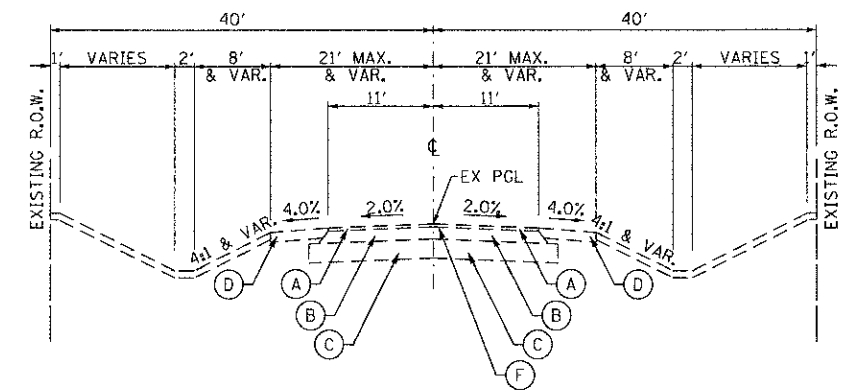
**DETAIL A**  
MONAVILLE ROAD SHOULDER SECTION  
STA 111+88.00 TO 112+20.00



**EXISTING TYPICAL SECTION**  
CEDAR LAKE ROAD STA 71+14.87 TO 73+80.00  
(NORTH LEG)



**DETAIL B**  
MONAVILLE ROAD SHOULDER SECTION  
STA 106+71.73 TO 112+20.00



**EXISTING TYPICAL SECTION**  
CEDAR LAKE ROAD STA 73+80.00 TO 77+34.82  
(NORTH LEG)

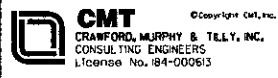
STATE OF ILLINOIS  
DEPARTMENT OF TRANSPORTATION

TYPICAL SECTIONS  
EXISTING  
CEDAR LAKE ROAD AND MONAVILLE ROAD

F.A.U. RTE.	SECTION	COUNTY	TOTAL SHEETS	SHEET NO.
0192	06-00153-07-CH	LAKE	120	9
FED. ROAD DIST. NO. ILLINOIS FED. AID PROJECT			CONTRACT NO. 63682	

USER NAME = Jeff Sedig	DESIGNED - MNB	REVISED -
PLGT SCALE = 20.0000' / 1"	DRAWN - MNB	REVISED -
PLGT DATE = 11/12/2012	CHECKED - CMC	REVISED -
	DATE - 10/22/2012	REVISED -

FILE NAME = L:\LAKE\01122401\AD-0\ACADD\_Sheets\Typ\_EK.Ldgn



SCALE: SHEET NO. 1 OF 3 SHEETS STA. TO STA.