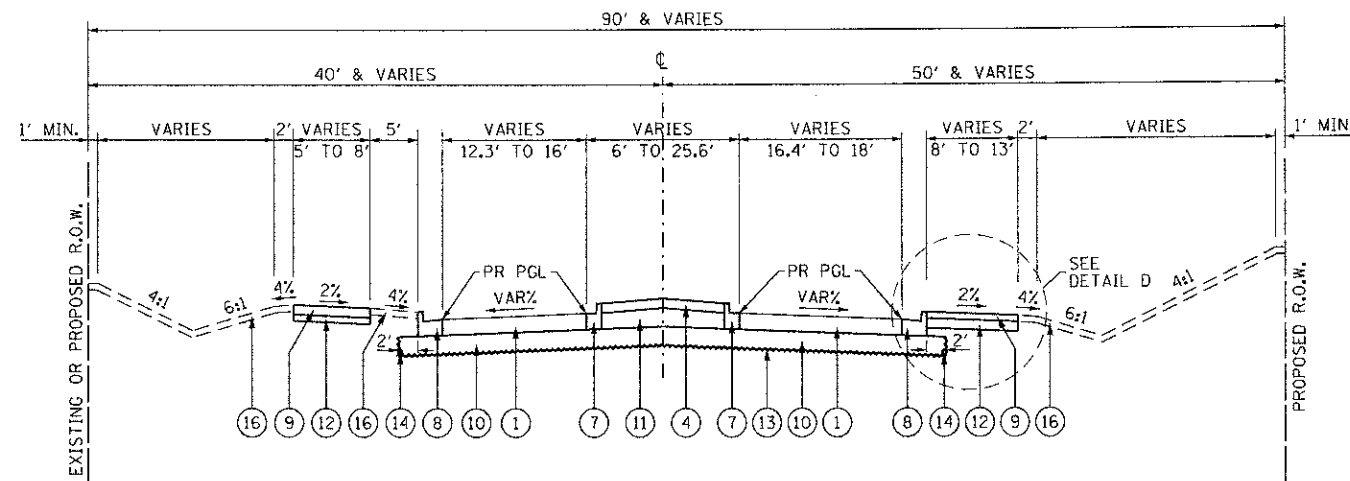


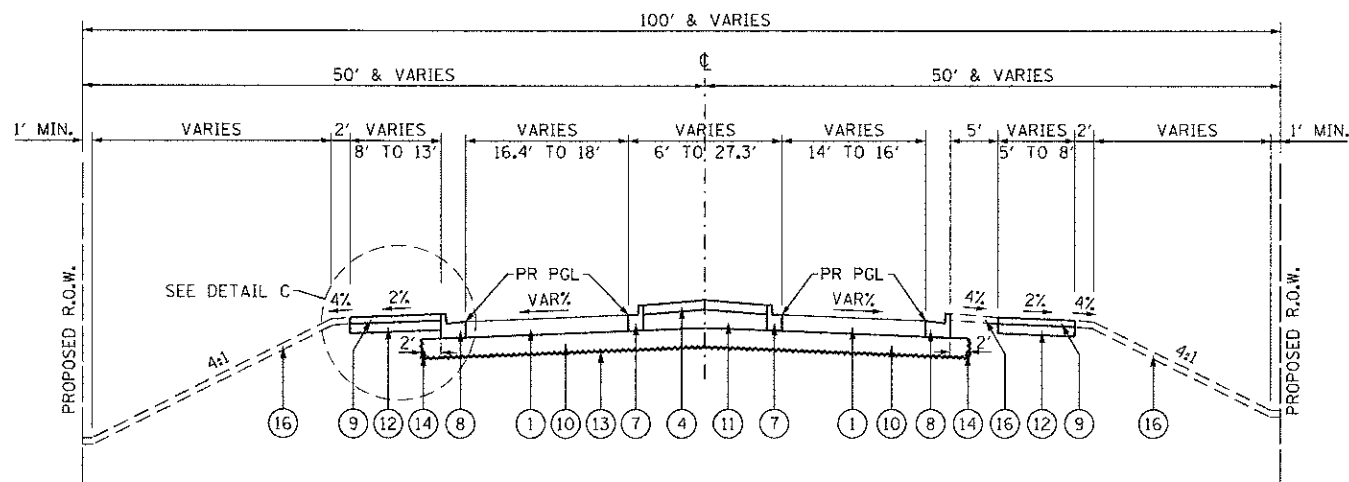
**PROPOSED TYPICAL SECTION
CEDAR LAKE ROAD**

STA 68+15.35 TO 69+74.35 (SOUTH LEG)
STA 65+66.79 TO 68+15.35 (SOUTH LEG) - RIGHT SIDE SHOULDER WORK ONLY

NOTE: BUTT JOINT LIMITS ARE FROM STA. 67+95.35 TO STA. 68+15.35
 * CUARDRAIL STA. 66+02.66 TO STA. 69+02.59
 ** STA. 65+66.79 TO 69+06.14 CONTRACTOR TO MATCH EXISTING SHOULDER CROSS-SLOPE

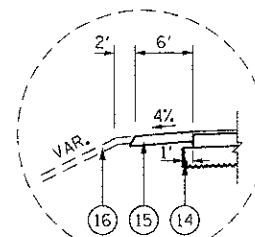


**PROPOSED TYPICAL SECTION
CEDAR LAKE ROAD**
STA 71+79.87 TO 72+55.38 (NORTH LEG)

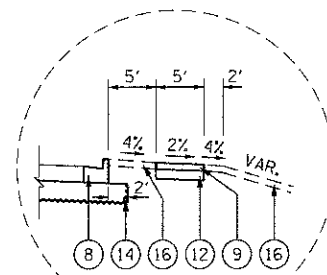


**PROPOSED TYPICAL SECTION
CEDAR LAKE ROAD**
STA 69+74.35 TO 70+49.87 (SOUTH LEG)

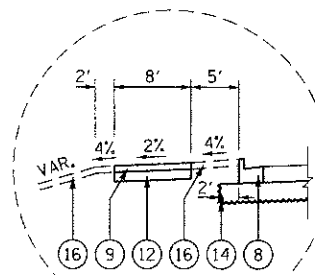
STA 70+49.87 TO STA. 71+79.87
SEE ROADWAY PLAN, SHEET 21



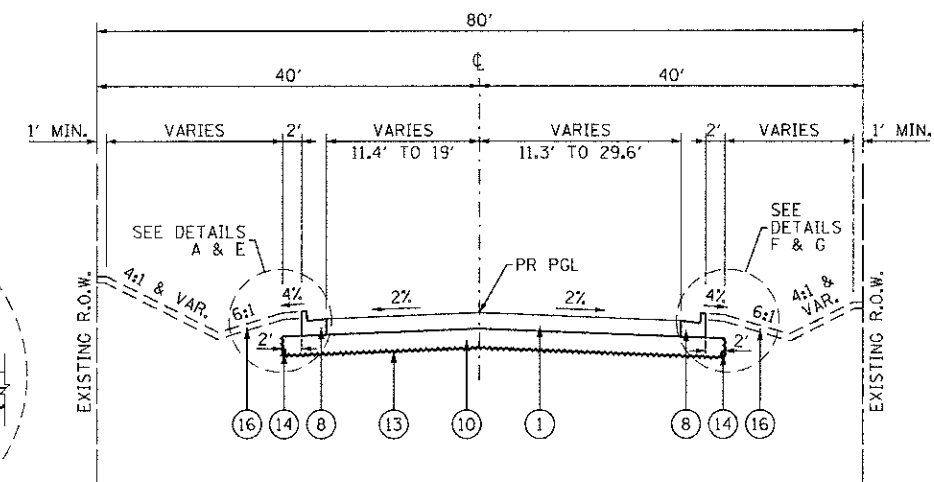
DETAIL A
STA. 68+15.35 TO 69+01.89
STA. 76+05.94 TO 77+14.82



DETAIL B
STA. 69+06.14 TO 69+74.35

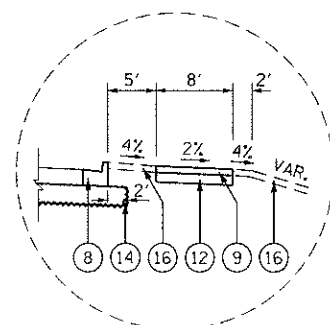


DETAIL C
STA. 70+23.91 TO 70+49.87

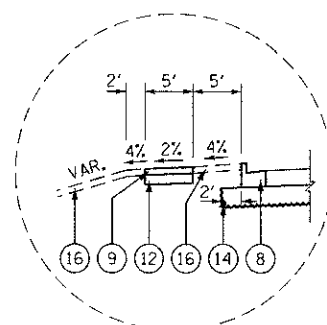


**PROPOSED TYPICAL SECTION
CEDAR LAKE ROAD**
STA 72+55.38 TO 77+14.82 (NORTH LEG)

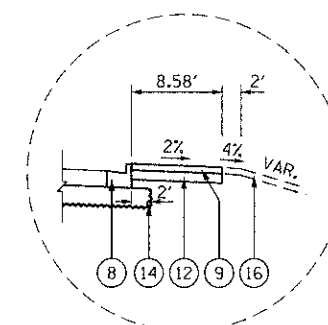
NOTE: BUTT JOINT LIMITS ARE FROM STA. 77+14.82 TO STA. 77+34.82



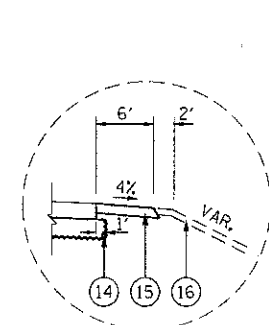
DETAIL D
STA. 71+79.87 TO 72+04.59



DETAIL E
STA. 72+55.38 TO 73+79.10



DETAIL F
STA. 72+55.38 TO 72+60.94



DETAIL G
STA. 75+40.73 TO 77+14.82

PROPOSED LEGEND

- | | |
|---|---|
| ① HOT-MIX ASPHALT PAVEMENT (FULL-DEPTH), 10" (40701881) | ⑨ PORTLAND CEMENT CONCRETE SIDEWALK 4 INCH (42400100) |
| ② HOT-MIX ASPHALT SHOULDERS, 6" (48203021) | ⑩ AGGREGATE SUBGRADE IMPROVEMENT, 12" (30300112) |
| ③ NOT USED | ⑪ AGGREGATE SUBGRADE IMPROVEMENT (30300001) |
| ④ CONCRETE MEDIAN SURFACE, 4 INCH (60618300)
STAMPED COLORED PORTLAND CEMENT CONCRETE (XX006898) | ⑫ AGGREGATE BASE COURSE, TYPE B 6" (35101800) |
| ⑤ PORTLAND CEMENT CONCRETE PAVEMENT 14" (JOINTED) (42000564)
STAMPED COLORED PORTLAND CEMENT CONCRETE (XX006898) | ⑬ GEOTECHNICAL FABRIC FOR GROUND STABILIZATION (21001000) |
| ⑥ COMBINATION CONCRETE CURB AND GUTTER, TYPE M-4.06 (X6064201) | ⑭ PIPE UNDERDRAINS 4" (MODIFIED) (X6013600) |
| ⑦ COMBINATION CONCRETE CURB AND GUTTER, TYPE B-6.12 (60603800) | ⑮ AGGREGATE SHOULDERS, TYPE B 6" (48101500) |
| ⑧ COMBINATION CONCRETE CURB AND GUTTER, TYPE B-6.24 (60605000) | ⑯ TOPSOIL FURNISH AND PLACE, 4" (21101615) |
| | ⑰ TOPSOIL FURNISH AND PLACE, 6" (21101625) |
| | ⑱ STEEL PLATE BEAM GUARDRAIL, TYPE A, 6 FOOT POSTS (63000001) |

FILE NAME: L:\L\PROJECTS\1122491\1122491-01-000-0000-Sheets\Top_PP_1.dgn



USER NAME = Jeff Sedig
 PLOT SCALE = 20/0000 1/16"
 PLOT DATE = 11/12/2012

DESIGNED - MNB
 DRAWN - MNB
 CHECKED - CMC
 DATE - 10/22/2012

REVISED -
 REVISED -
 REVISED -
 REVISED -

**STATE OF ILLINOIS
DEPARTMENT OF TRANSPORTATION**

**TYPICAL SECTIONS
PROPOSED
CEDAR LAKE ROAD**

SCALE: SHEET NO. 2 OF 3 SHEETS STA. TO STA.

F.A.U. RTE. 0192	SECTION 06-00153-07-CH	COUNTY LAKE	TOTAL SHEETS 120	SHEET NO. 10
FED. ROAD DIST. NO. ILLINOIS FED. AID PROJECT			CONTRACT NO. 63682	