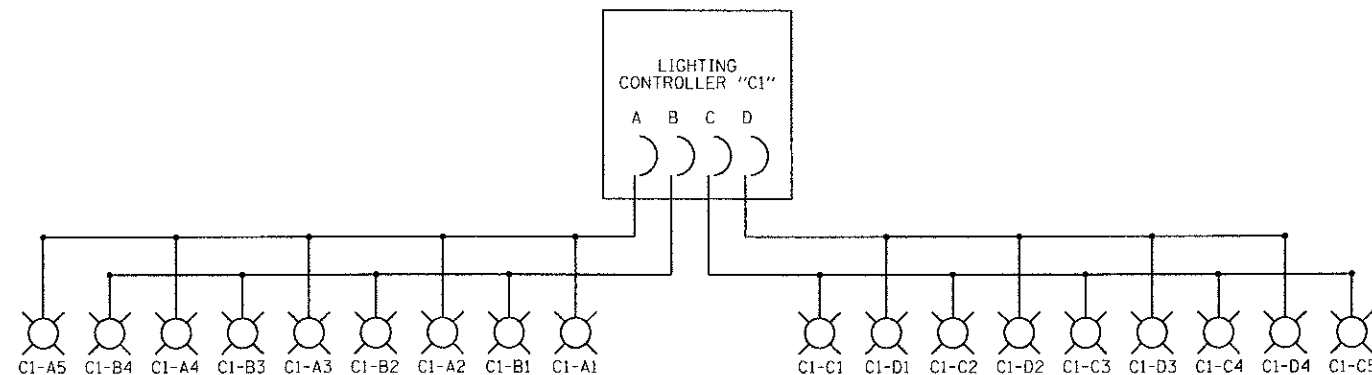


LIGHT POLE

TYPE I - LIGHT POLE, GALVANIZED STEEL, 30 FT. M.H., 8 FT. MAST ARM
 TYPE II - LIGHT POLE, GALVANIZED STEEL, 30 FT. M.H., 15 FT. MAST ARM



ROADWAY LIGHTING CONTROLLER "C1" ONE-LINE

LUMINAIRE SCHEDULE

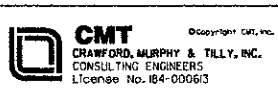
TYPE	DESCRIPTION	MANUFACTURER	POLE	LAMP	VOLTAGE
1	ROADWAY SERIES 125, TYPE II MEDIUM CUT OFF. CATALOG 125-25/5-RN-240-R2-FG	AMERICAN ELECTRIC LIGHTING	STERNBERG 30 FT. M.H. 8 FT. LUMINAIRE ARM ON CONCRETE FOUNDATION	250W H.P.S.	240V
2	ROADWAY SERIES 125, TYPE II MEDIUM CUT OFF. CATALOG 125-25/5-RN-240-R2-FG	AMERICAN ELECTRIC LIGHTING	STERNBERG 30 FT. M.H. 15 FT. LUMINAIRE ARM ON CONCRETE FOUNDATION	250W H.P.S.	240V

**PANEL SCHEDULE AND LOAD TABULATION
 LIGHTING CONTROLLER C-1
 240/480 VAC, 1-PHASE, 3-WIRE**

MAIN BREAKER: 100A

CIRCUIT	BREAKER TRIP AMPS	KW		AMPS
		BLACK	RED	
A	50	1.25	-	6.5
B	50	-	1.0	5.2
C	50	1.25	-	6.5
D	50	-	1.0	5.2
SPARE	50	-	-	-
SPARE	50	-	-	-
SUBTOTAL		2.5	2.0	-
TOTAL		4.5		11.7

FILE NAME = J:\LAKEDCO\122481\Drawings\Lighting_7_data.dwg



USER NAME = Jeff Sedig	DESIGNED - MNB	REVISED -
PLOT SCALE = 2.0000" / 1"	DRAWN - MNB	REVISED -
PLOT DATE = 11/12/2012	CHECKED - CMC	REVISED -
	DATE - 10/22/2012	REVISED -

**STATE OF ILLINOIS
 DEPARTMENT OF TRANSPORTATION**

**LIGHTING PLAN
 ELECTRICAL DETAILS**

SCALE: N.T.S. SHEET NO. 7 OF 9 SHEETS STA. N/A TO STA. N/A

F.A.U. RTE. 0192	SECTION 06-00153-07-CH	COUNTY LAKE	TOTAL SHEETS 120	SHEET NO. 54
FED. ROAD DIST. NO.			ILLINOIS FED. AID PROJECT	

CONTRACT NO. 63682