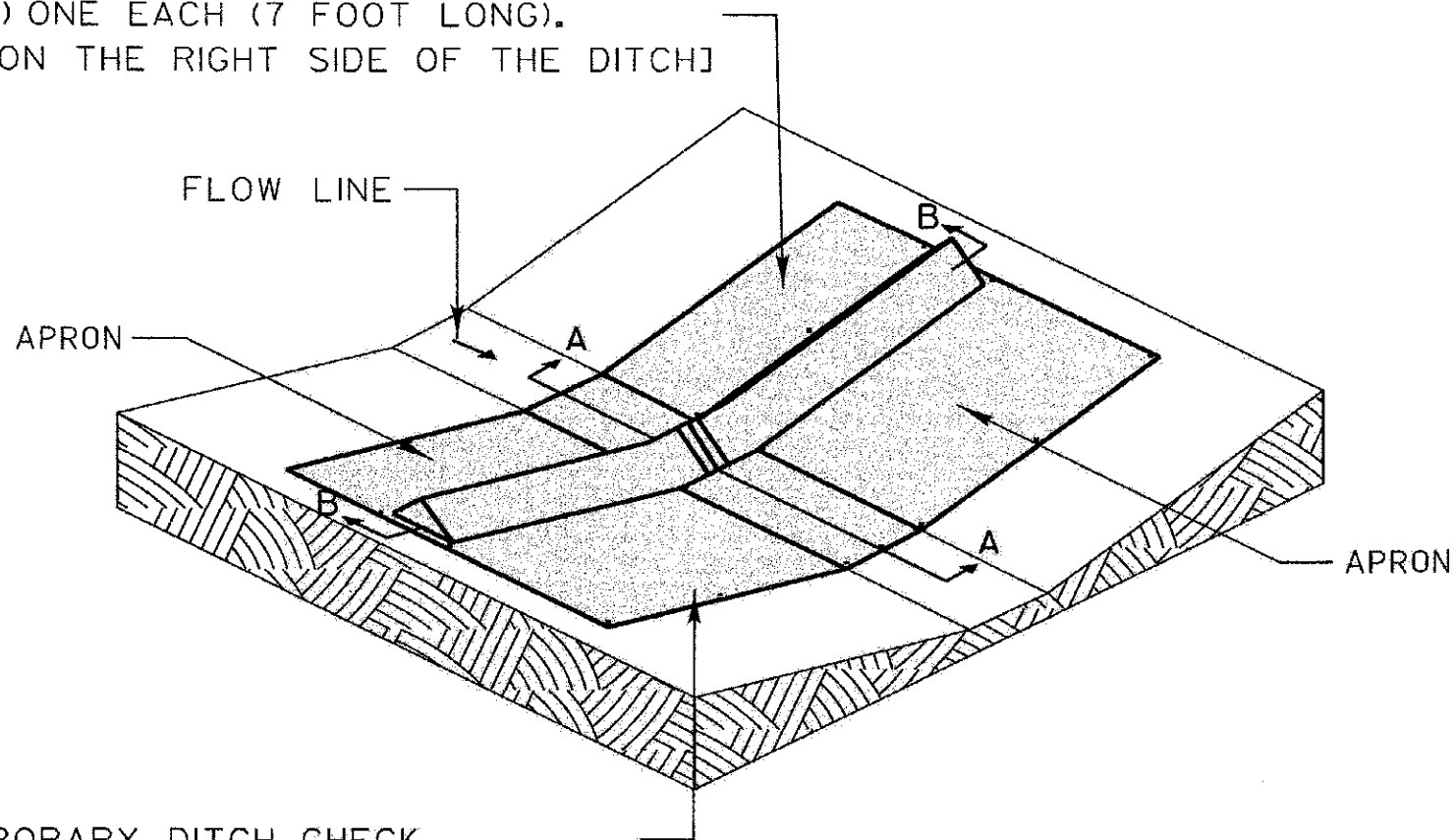


TEMPORARY DITCH CHECK,
(1) ONE EACH (7 FOOT LONG).
[ON THE RIGHT SIDE OF THE DITCH]

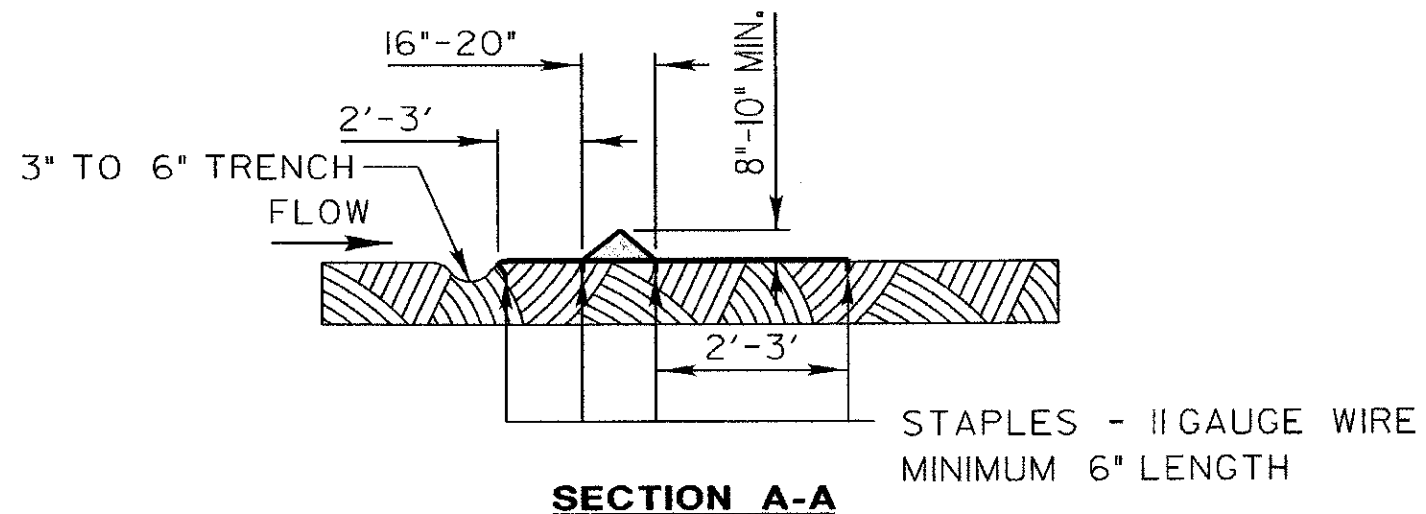


TEMPORARY DITCH CHECK,
(1) ONE EACH (7 FOOT LONG).
[ON THE LEFT SIDE OF THE DITCH]

**SILT DIKE UNIT
ISOMETRIC**

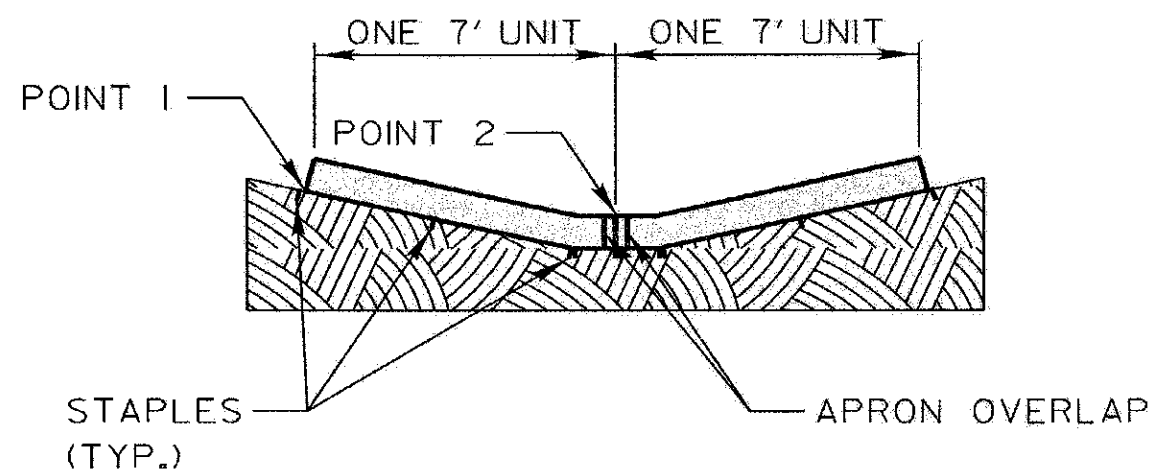
NOTE:
THE INSTALLATION SHOWN ABOVE WILL BE MEASURED
AS A TEMPORARY DITCH CHECK 14 FEET IN LENGTH.

SCALE: 1" = 5'



SECTION A-A

STAPLES - 11 GAUGE WIRE
MINIMUM 6" LENGTH



SECTION B-B

STAPLES SHALL BE PLACED WHERE
THE UNITS OVERLAP AND IN THE
CENTER OF THE 7' UNIT AS SHOWN ON THE DIAGRAM.

POINT 1 MUST BE HIGHER THAN POINT 2
TO INSURE THAT WATER FLOWS OVER
THE DIKE AND NOT AROUND THE ENDS.

REVISIONS	DATE
ADDED DIMENSIONS	04/11/08
REVISED PAY ITEM	04/15/10



APPROVED BY: M. G. ZEMAITIS
DATE: APRIL 1, 2007

**TEMPORARY DITCH CHECK
INSTALLATION FOR
ROADWAY OR
DRAINAGE DITCH**

LC2050



USER NAME = Jeff Sedig	DESIGNED - MNB	REVISED -
	DRAWN - MNB	REVISED -
PLOT SCALE = 48,0000' / in.	CHECKED - CMC	REVISED -
PLOT DATE = 11/12/2012	DATE - 10/22/2012	REVISED -

STATE OF ILLINOIS
DEPARTMENT OF TRANSPORTATION

LCDOT STANDARD DRAWINGS

SCALE: N.T.S. SHEET NO. 5 OF 5 SHEETS STA. N/A TO STA. N/A

F.A.U. RTE.	SECTION	COUNTY	TOTAL SHEETS	SHEET NO.
0192	06-00153-07-CH	LAKE	120	64
FED. ROAD DIST. NO.			ILLINOIS FED. AID PROJECT	
			CONTRACT NO. 63682	