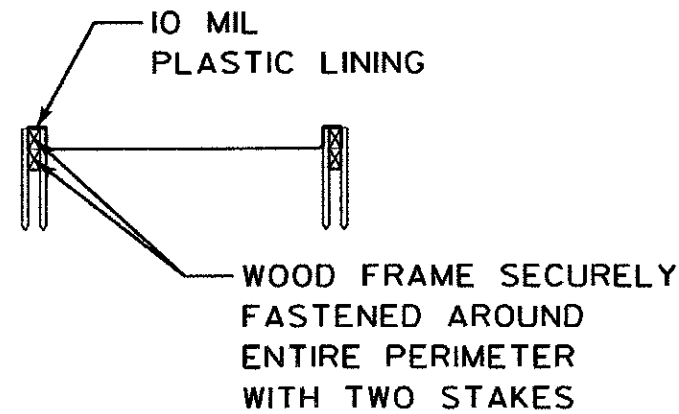
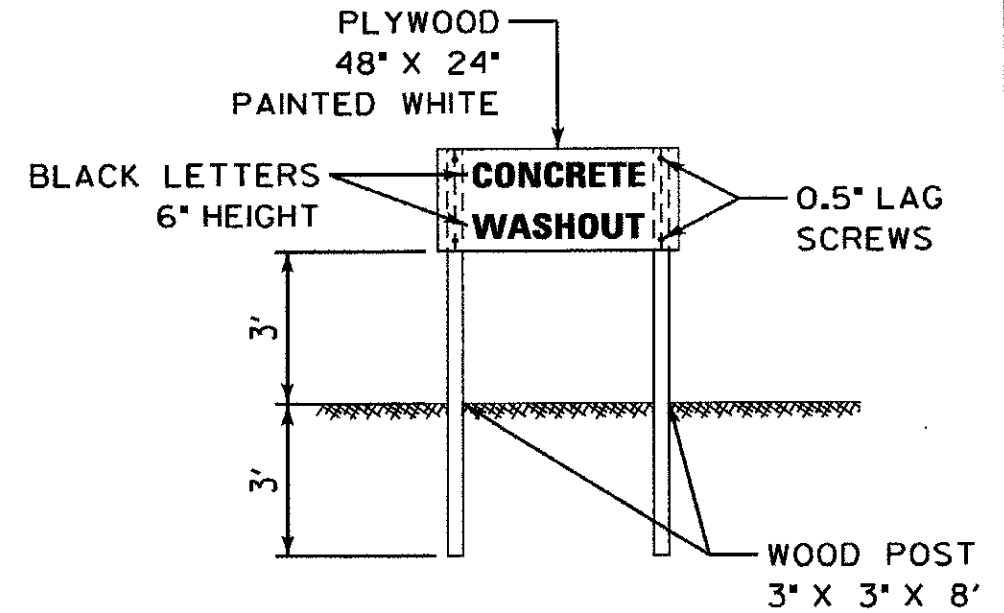


PLAN VIEW

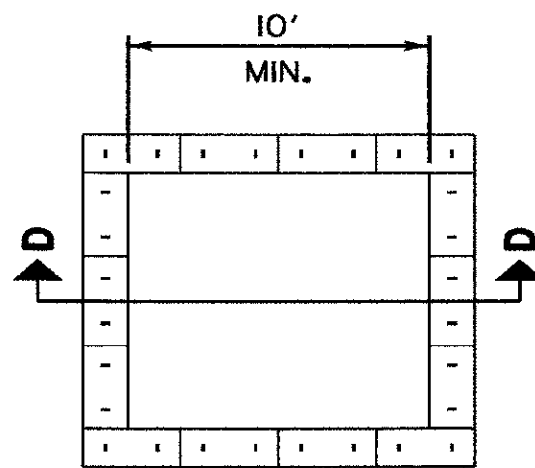


ABOVE GRADE

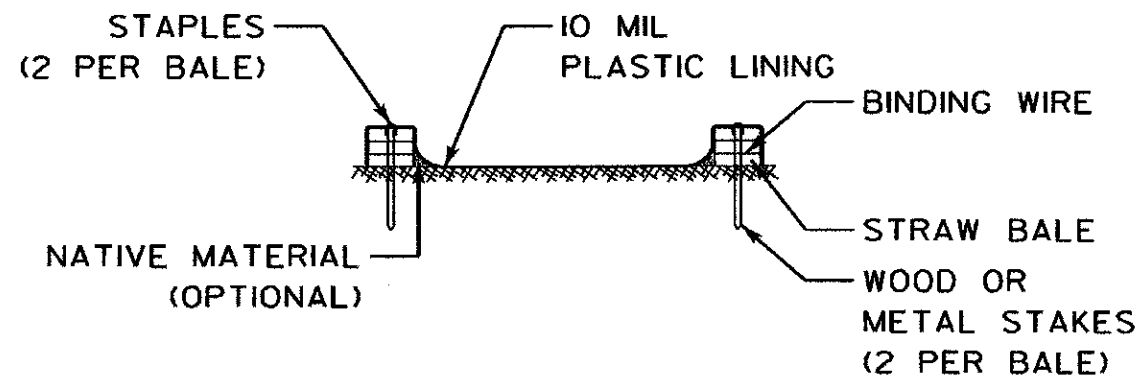
SECTION C-C



CONCRETE WASHOUT SIGN DETAIL (OR EQUIVALENT)

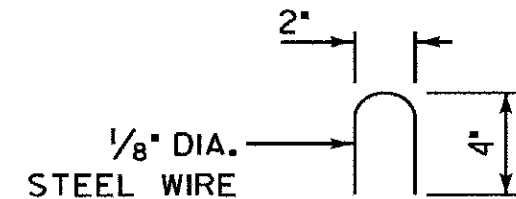


PLAN VIEW



ABOVE GRADE WITH STRAW BALES

SECTION D-D



STAPLE DETAIL

NOTES:

1. ACTUAL LAYOUT DETERMINED IN FIELD.
2. OTHER WASHOUT DESIGNS MAY BE USED IF APPROVED BY THE ENGINEER.
3. THE CONCRETE WASHOUT SIGN SHALL BE INSTALLED WITHIN 30 FEET OF THE TEMPORARY CONCRETE WASHOUT FACILITY.

NOT TO SCALE

REVISIONS	DATE		APPROVED BY: MGZ
			Division of Transportation
		<b>CONCRETE WASHOUT FACILITIES</b> SHEET 2 OF 2	

LC4202

FILE NAME = L:\LAKECO\12248\10\00\0000\_Sheet\LCDOT\_STANDARD.DWG