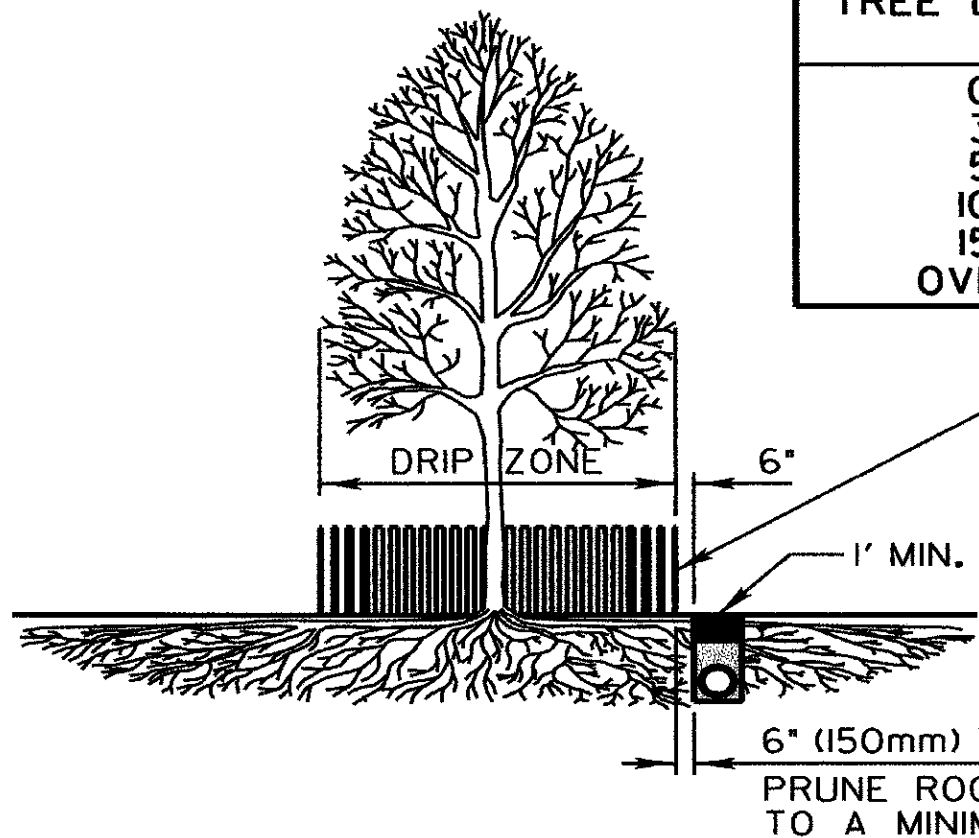
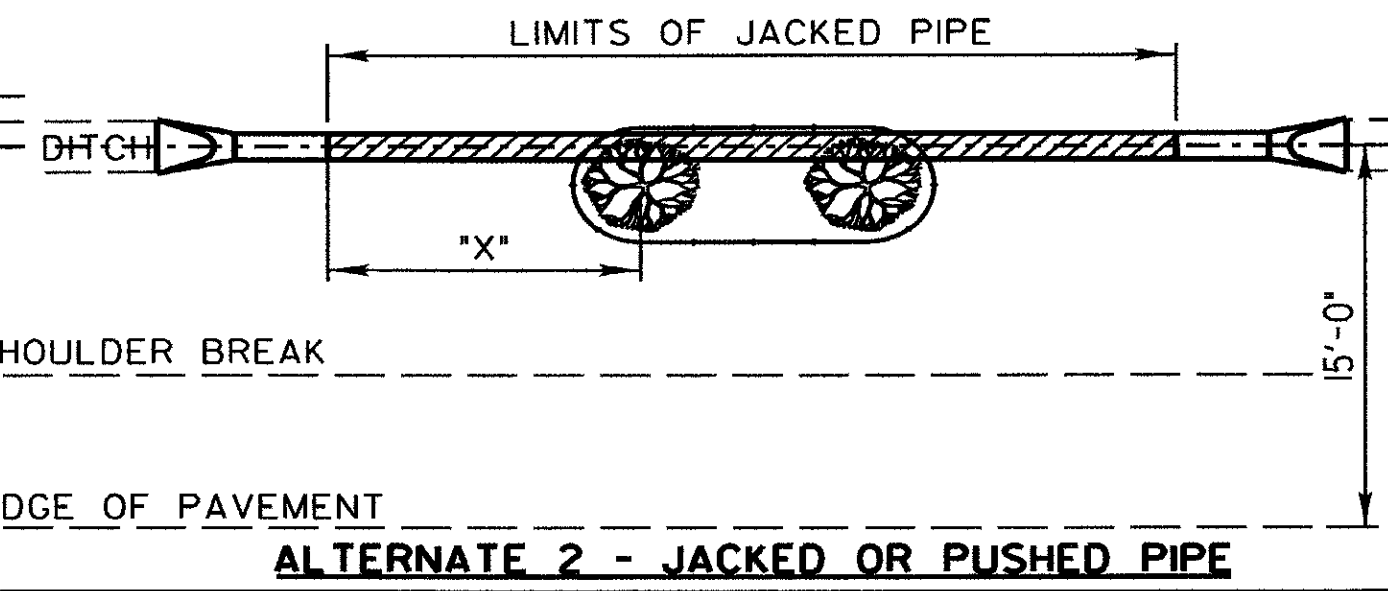
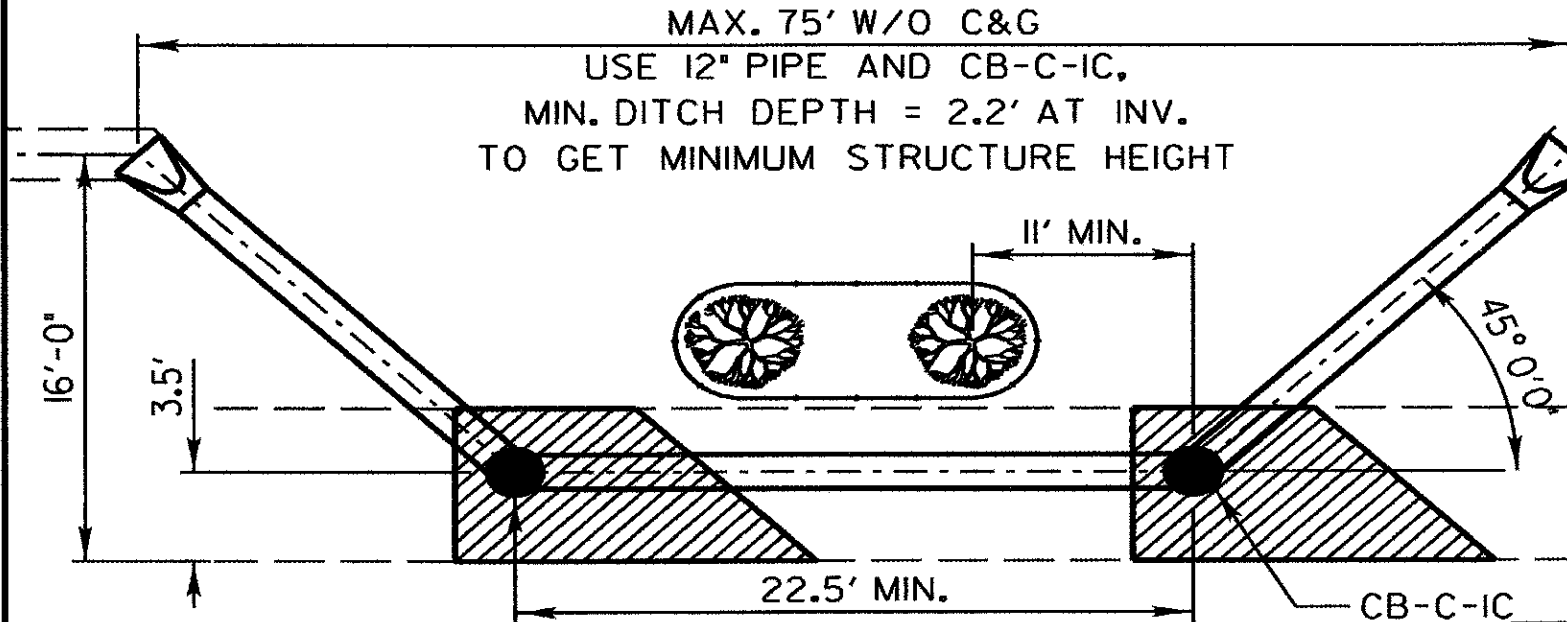
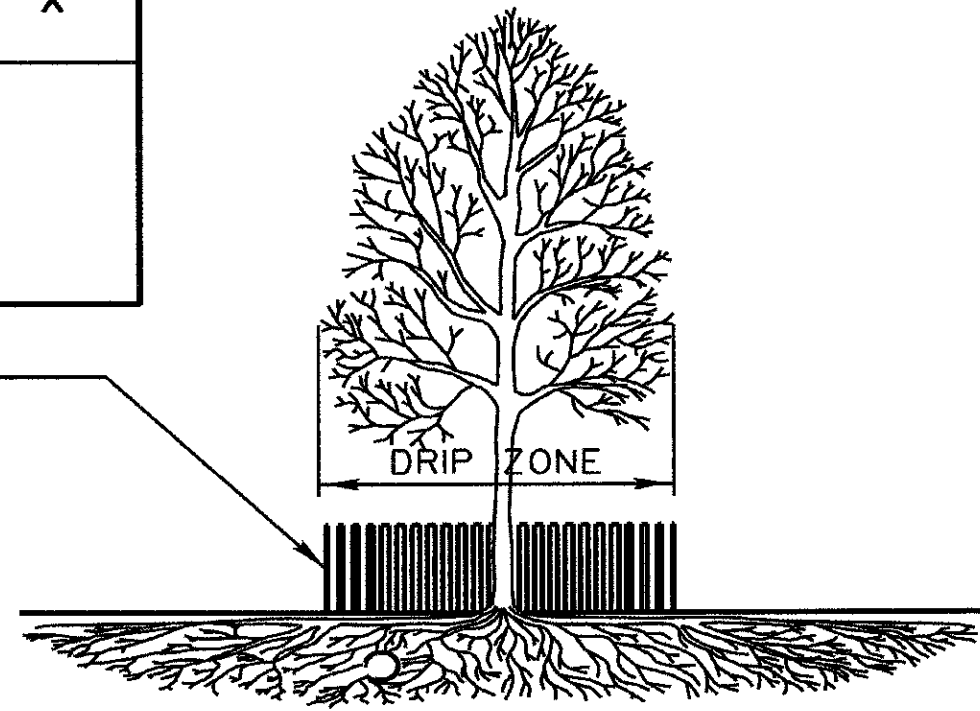


RECOMMENDED OFFSET FROM OPEN TRENCH TO FACE OF TREE	
TREE DIAMETER IN.	OFFSET - "X" FT.
0-2	1
3-4	2
5-9	5
10-14	10
15-19	12
OVER 19	15



PLACE PHYSICAL BARRIER OUTSIDE OF DRIP ZONE



SEE ALSO LC4820 "HOT-MIX ASPHALT APRON FOR STRUCTURES IN AGGREGATE SHOULDERS."
ALTERNATE 1 - RELOCATED PIPE

ALTERNATE 2 - JACKED OR PUSHED PIPE

REVISIONS	DATE

LakeCounty
Division of Transportation
 APPROVED BY: M. G. ZEMAITIS
 DATE: APRIL 1, 2007

TREE PRESERVATION WITH STORM SEWER IN UNCURBED AREAS

LC5400

SCALE: 1" = 10'

FILE NAME: L:\PROJECTS\122480\Drawings\LC5400 - Standard\LC5400.dwg

CMT
CRAWFORD, MURPHY & TULLY, INC.
CONSULTING ENGINEERS
License No. 184-000613

USER NAME = Jeff Sedig
 DESIGNED - MNB
 DRAWN - MNB
 CHECKED - CMC
 DATE - 10/22/2012
 PLOT SCALE = 1/8" = 1'-0"
 PLOT DATE = 11/12/2012

REVISIONS
 REVISIONS
 REVISIONS
 REVISIONS

STATE OF ILLINOIS
DEPARTMENT OF TRANSPORTATION

LCDOT STANDARD DRAWINGS
 SCALE: N.T.S. SHEET NO. 5 OF 5 SHEETS STA. N/A TO STA. N/A

F.A.U. RTE.	SECTION	COUNTY	TOTAL SHEETS	SHEET NO.
0192	06-00153-07-CH	LAKE	120	71
FED. ROAD DIST. NO. ILLINOIS FED. AID PROJECT				

CONTRACT NO. 63682