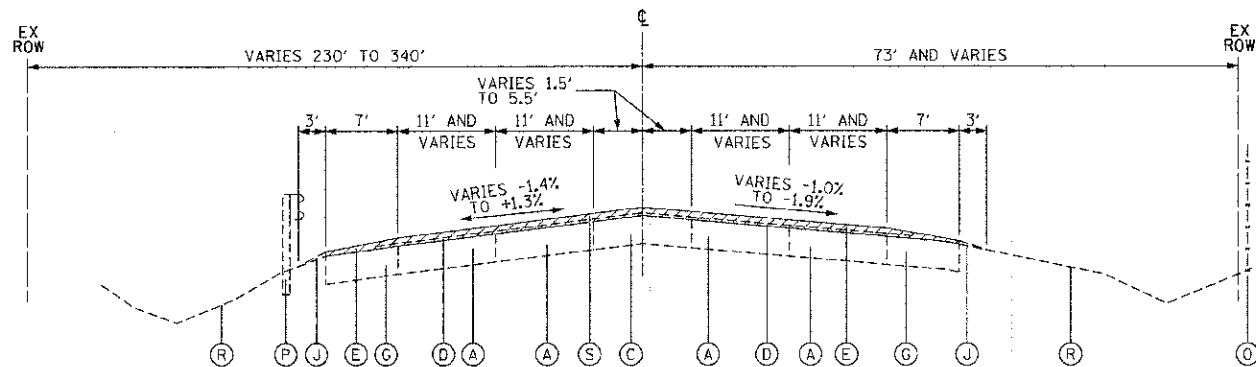
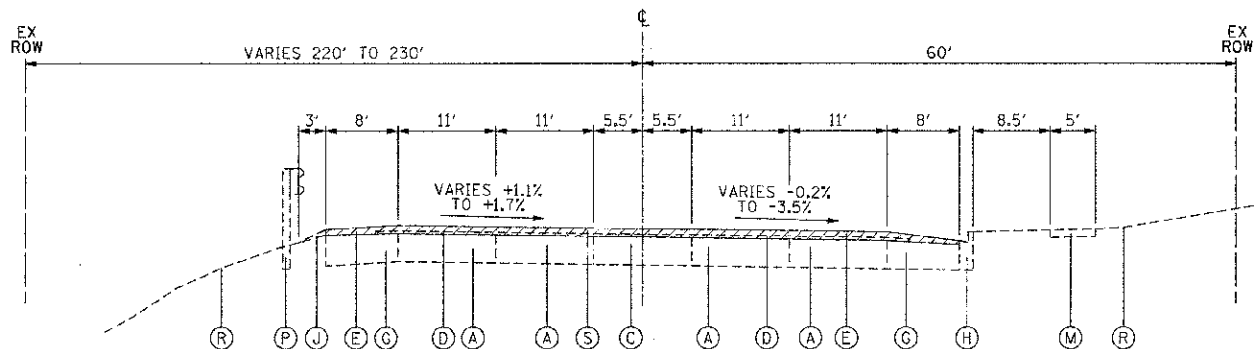


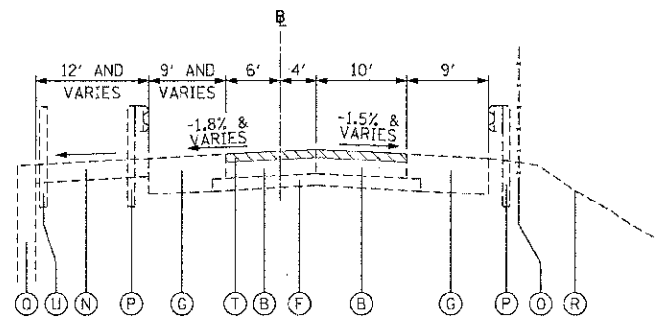
PLAN	DATE
NO.	
BY	
CHECKED	
DESIGNED	
DATE	
FILE NAME	
FILE NO.	
FILE DATE	



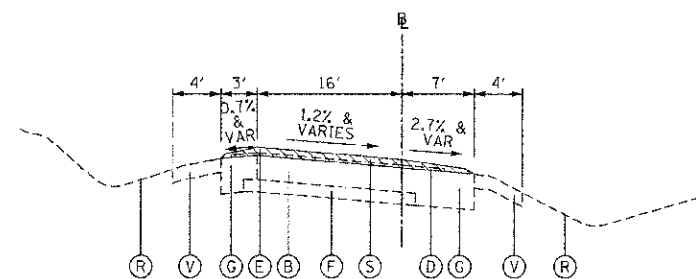
EXISTING TYPICAL SECTION
BUTTERFIELD ROAD (ILLINOIS ROUTE 56)
STATION 100+20.20 TO 106+86.57



EXISTING TYPICAL SECTION
BUTTERFIELD ROAD (ILLINOIS ROUTE 56)
STATION 106+86.57 TO 107+62.56



EXISTING TYPICAL SECTION
COMMONWEALTH LANE
STATION 200+61.54 TO 201+89.62



EXISTING TYPICAL SECTION
ILLINOIS ROUTE 38 EXIT RAMP
STATION 402+42.61 TO 403+00.00

- EXISTING LEGEND**
- (A) CONTINUOUSLY REINFORCED CEMENT CONCRETE PAVEMENT (8")
 - (B) PORTLAND CEMENT CONCRETE PAVEMENT (8")
 - (C) HOT-MIX ASPHALT BINDER COURSE (10" AND VARIES)
 - (D) HOT-MIX ASPHALT LEVELING BINDER COURSE (3/4" AND VARIES)
 - (E) HOT-MIX ASPHALT SURFACE COURSE (1 3/4" AND VARIES)
 - (F) STABILIZED SUB-BASE (BITUMINOUS AGGREGATE MIXTURE) 4"
 - (G) STABILIZED SHOULDER (BITUMINOUS AGGREGATE MIXTURE) (11 3/4" AND VARIES)
 - (H) COMBINATION CONCRETE CURB & GUTTER, TY B-6.12
 - (I) COMBINATION CONCRETE CURB & GUTTER, TY B-9.06
 - (J) AGGREGATE SHOULDER, TY B
 - (K) PORTLAND CEMENT CONCRETE MEDIAN, TY C-4 MODIFIED
 - (L) PORTLAND CEMENT CONCRETE MEDIAN SURFACE, 4"
 - (M) PORTLAND CEMENT CONCRETE SIDEWALK, 5"
 - (N) HOT-MIX ASPHALT BIKE PATH
 - (O) CHAIN LINK FENCE
 - (P) STEEL PLATE BEAM GUARDRAIL
 - (Q) RETAINING WALL
 - (R) GROUND SURFACE (ASSUME EXISTING 7" TOPSOIL DEPTH)
 - (S) HOT-MIX ASPHALT SURFACE REMOVAL, 2 1/2"
 - (T) PORTLAND CEMENT CONCRETE SURFACE REMOVAL 1"
 - (U) HANDRAIL
 - (V) AGGREGATE SHOULDER

FILE PATH: g:\cadd\08\0808\road\mains\01\00208-SHT-1-topSecE.dgn



USER NAME - tkandell	DESIGNED - TKH	REVISIONS -
FILE NAME - 01X0208-SHT-1-topSecE.dgn	DRAWN - TKH	REVISIONS -
PLOT SCALE = 12,000 / FT.	CHECKED - JMG	REVISIONS -
PLOT DATE = 08/21/2012	DATE - 10/22/2012	REVISIONS -

STATE OF ILLINOIS
DEPARTMENT OF TRANSPORTATION

BUTTERFIELD ROAD AT COMMONWEALTH LANE
EXISTING TYPICAL SECTIONS

SCALE: NOT TO SCALE SHEET NO. 10 OF 108 SHEETS

F.A.U. RTE.	SECTION	COUNTY	TOTAL SHEETS	SHEET NO.
3545	09-00170-00-CH	DUPAGE	108	10
FED. ROAD DIST. NO. 7 ILLINOIS FED. AID PROJECT			CONTRACT NO. 63742	