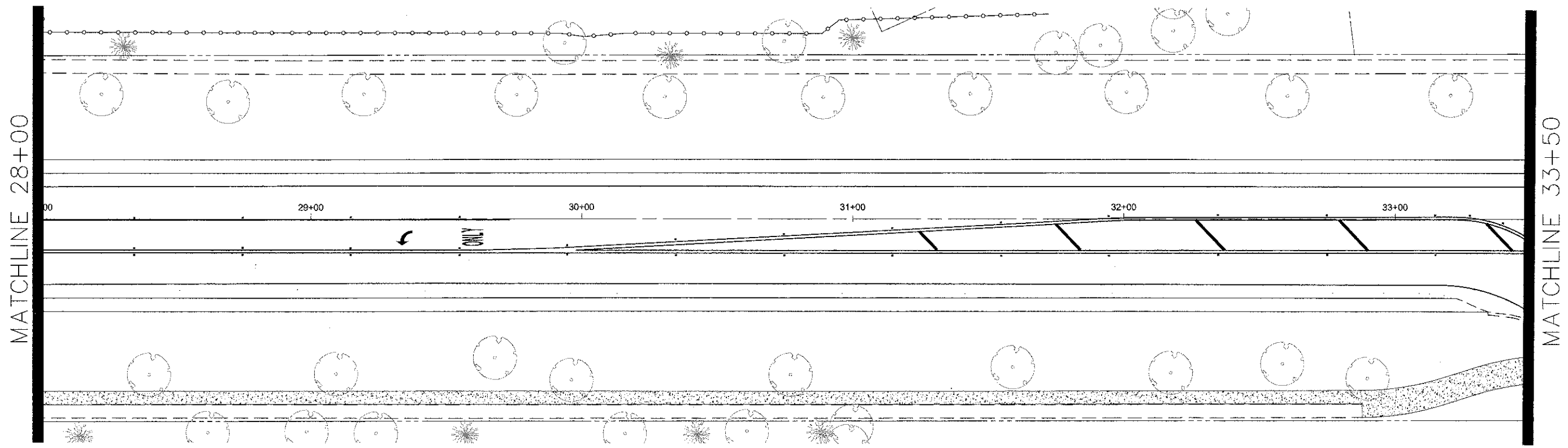
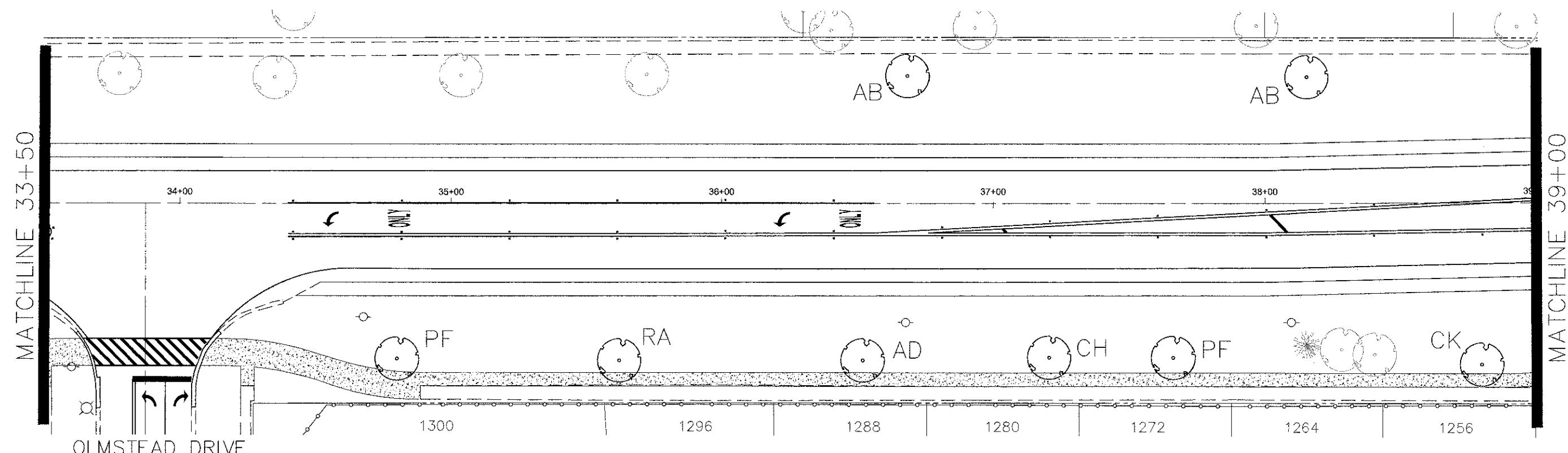


PLAN	DATE	BY
DESIGNED		
DRAWN		
CHECKED		
DATE		
NO.		

PROFILE	DATE	BY
DESIGNED		
DRAWN		
CHECKED		
DATE		
NO.		



SYMBOL	SPECIES NAME	COMMON NAME	DIAMETER	HEIGHT	UNIT	QUANTITY
CH	CRETAEGUS GRUSGALLI INERMIS	THORNLESS COCKSPUR HAWTHORN		6'	EA	1
AD	MALUS ADAMS	ADAMS CRABAPPLE		6'	EA	1
PF	MALUS PRAIRIFIRE	PRAIRIE FIRE CRABAPPLE		6'	EA	2
CK	ACER PLATANOIDES CRIMSON KING	CRIMSON KING NORWAY MAPLE	2 1/2"		EA	1
AB	ACER SACCHARINUM AUTUMN BLAZE	AUTUMN BLAZE SILVER MAPLE	2 1/2"		EA	2
RA	TILIA AMERICANA REDMOND	REDMOND AMERICAN LINDEN	2 1/2"		EA	1



FILE NAME = Palatine Plan and Profile NEW.dwg

DESIGNED -	REVISED -
DRAWN -	REVISED -
CHECKED -	REVISED -
DATE -	REVISED -

STATE OF ILLINOIS
DEPARTMENT OF TRANSPORTATION

Palatine Road Widening STP Project
Landscaping Plan

SCALE: 1" = 20' SHEET NO. 3 OF 5 SHEETS STA. 28+00 TO STA 39+00

F.A.U. RTE. 1285	SECTION 09-00082-00-CH	COUNTY Cook	TOTAL SHEETS 97	SHEET NO. 57
CONTRACT NO. 63749				
ILLINOIS FED. AID PROJECT CMM 9003(492)				