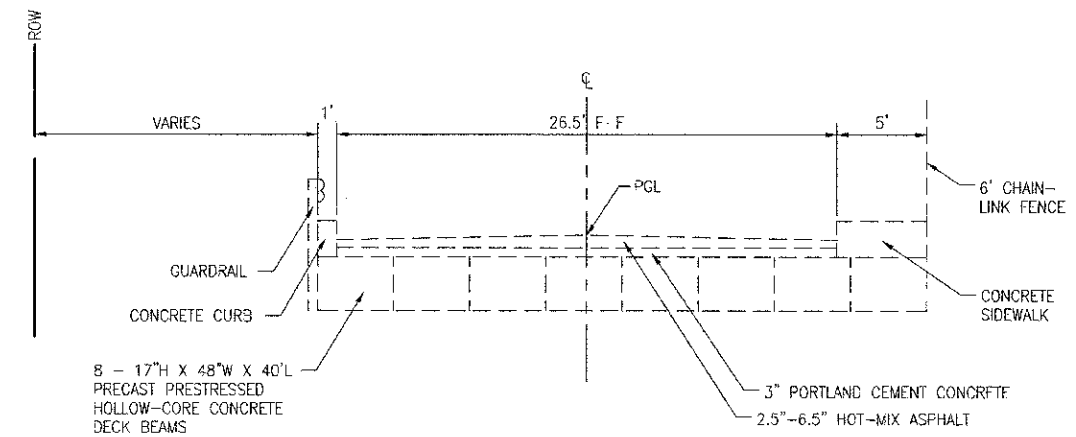
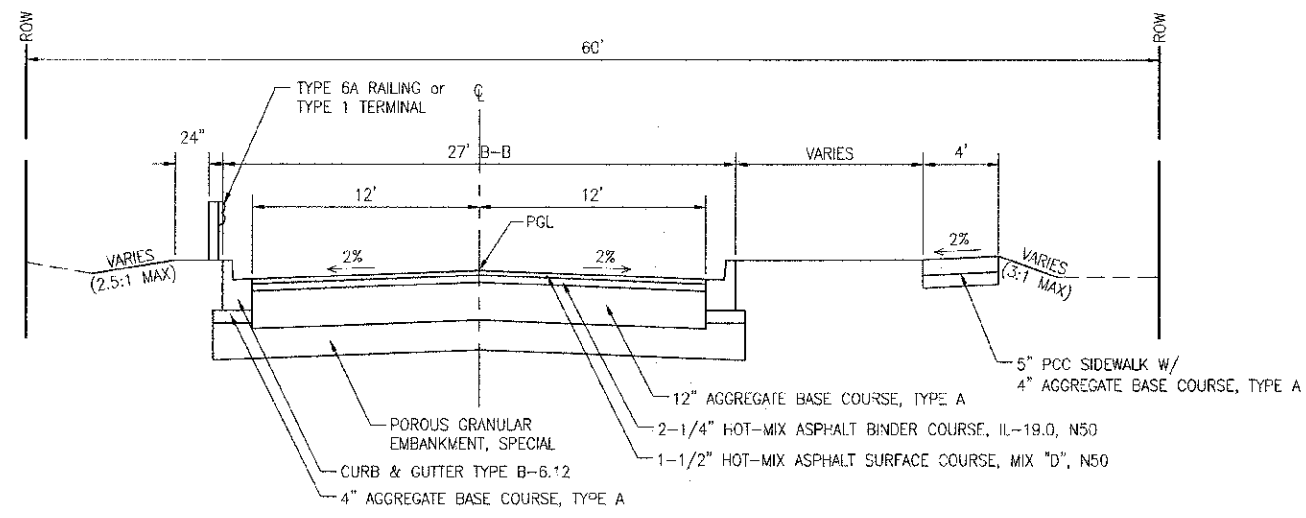


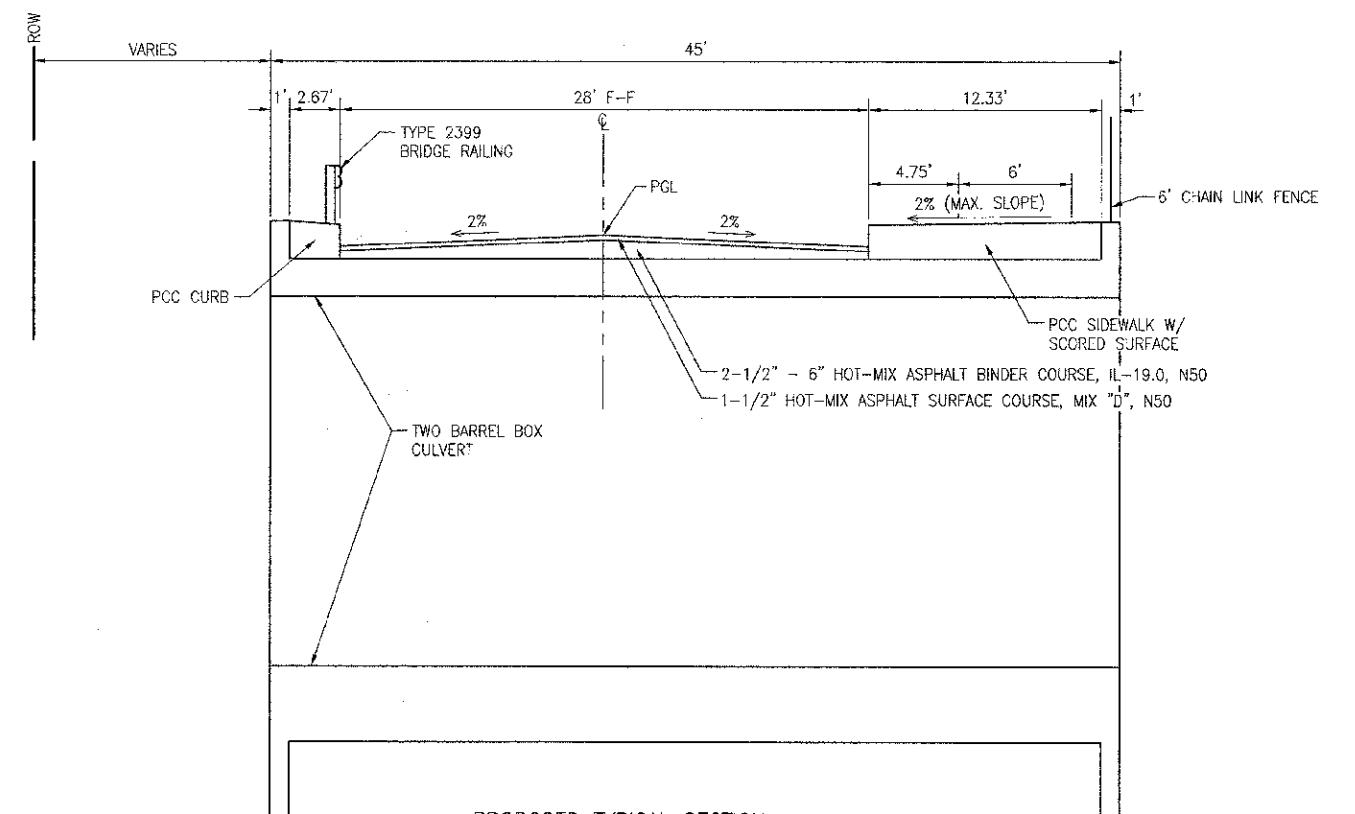
EXISTING TYPICAL SECTION
STA. 770+00 TO SOUTH OF BRIDGE
NORTH OF BRIDGE TO STA. 772+40



EXISTING TYPICAL SECTION
LONGMEADOW LANE BRIDGE
STA. 770+86.50 TO STA. 771+13.50



PROPOSED TYPICAL SECTION
STA. 770+00 TO SOUTH OF BOX CULVERT
NORTH OF BOX CULVERT TO STA. 772+40



PROPOSED TYPICAL SECTION
LONGMEADOW LANE BOX CULVERT
STA. 770+86.50 TO 771+13.50

HOT-MIX ASPHALT MIXTURES REQUIREMENTS

MIXTURE TYPE	AIR VOIDS @ Ndes
PAVEMENT	
HOT-MIX ASPHALT SURFACE COURSE, MIX "D", N50 (IL 9.5 mm); 1-1/2"	4% @ 50 Gyr.
HOT-MIX ASPHALT BINDER COURSE, IL-19.0, N50; 2-1/4"	4% @ 50 Gyr.
DRIVEWAYS	
HOT-MIX ASPHALT SURFACE COURSE, MIX "D", N50 (IL 9.5 mm); 2"	4% @ 50 Gyr.

THE UNIT WEIGHT USED TO CALCULATE ALL HMA SURFACE MIXTURE QUANTITIES IS 112 LBS/SQ. YD./IN.

THE "AC TYPE" FOR NON-POLYMERIZED HMA MIXES SHALL BE "PG 64-22" UNLESS MODIFIED BY DISTRICT ONE SPECIAL PROVISIONS FOR PERCENT OF RAP. SEE SPECIAL PROVISIONS.

Nov 08, 2012 - 4:17pm \\system\Cor\2841.DS\028+10S-04 - Typical Sections.dwg