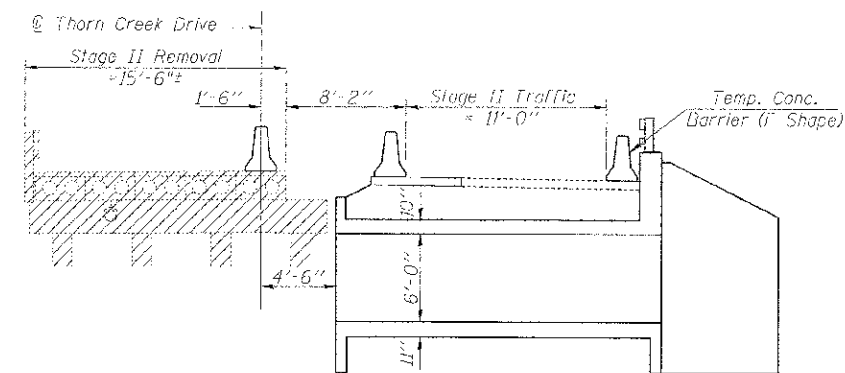
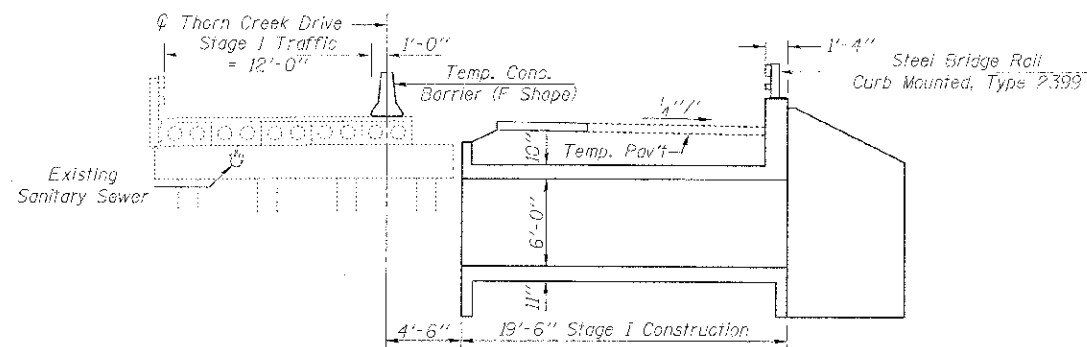


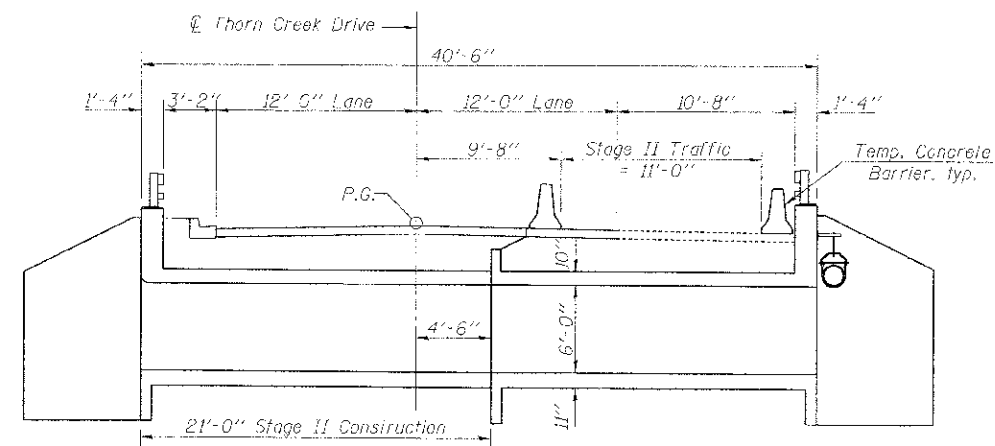
STAGE I REMOVAL



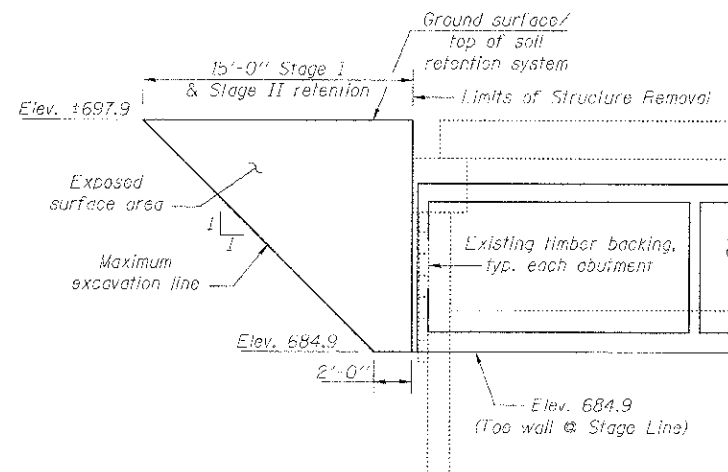
STAGE II REMOVAL



STAGE I CONSTRUCTION



STAGE II CONSTRUCTION



TEMPORARY SOIL RETENTION SYSTEM

South end shown. North end similar but mirrored.

BILL OF MATERIAL

Item	Unit	Quantity
Removal of Existing Structures	Each	1
Temporary Soil Retention System	Sq Ft	221

NOTES

Staging sections are looking North.
 Hatched area indicates Removal of Existing Structures.
 Removal of existing bridge railing included with Removal of Existing Structures.
 Removal of portions of the existing sanitary sewer attached to the bridge is included with Removal of Existing Structures.
 Pay item for Temporary Concrete Barrier is included with roadway plans. See Sheet 7 of 9 for details.
 A cantilevered sheet piling design does not appear feasible and additional members or other retention systems may be necessary. The Contractor shall submit a temporary soil retention system design including plan details and calculations for review and acceptance by the Engineer.

COPYRIGHT © 2012 BY BAXTER A. WOODMAN, INC.
 STATE OF ILLINOIS - PROFESSIONAL ENGINEER
 LICENSE NO. 154-000221 - EXPIRES 4/30/2015
 PROJECT: VILLAGE OF PARK FOREST, ILLINOIS
 THORN CREEK DRIVE BRIDGE OVER THORN CREEK
 SHEET NO. 099-6753



USER NAME	DESIGNED - BAB	REVISED
PLT SCALE	CHECKED - BLB	REVISED
PLT DATE	DRAWN - BAB	REVISED
	CHECKED - BLB	REVISED

**VILLAGE OF PARK FOREST, ILLINOIS
 THORN CREEK DRIVE BRIDGE OVER
 THORN CREEK**

**STAGE CONSTRUCTION DETAILS
 STRUCTURE NO. 099-6753**

SHEET NO. 2 OF 9 SHEETS

MUN ST	SECTION	COUNTY	TOTAL SHEET NO.
1045	08-00093-0C-BR	WILL	41 19
FED. ROAD DIST. NO. 1 ILLINOIS FED. AID PROJECT			CONTRACT NO. 63755
			BRM-90031031