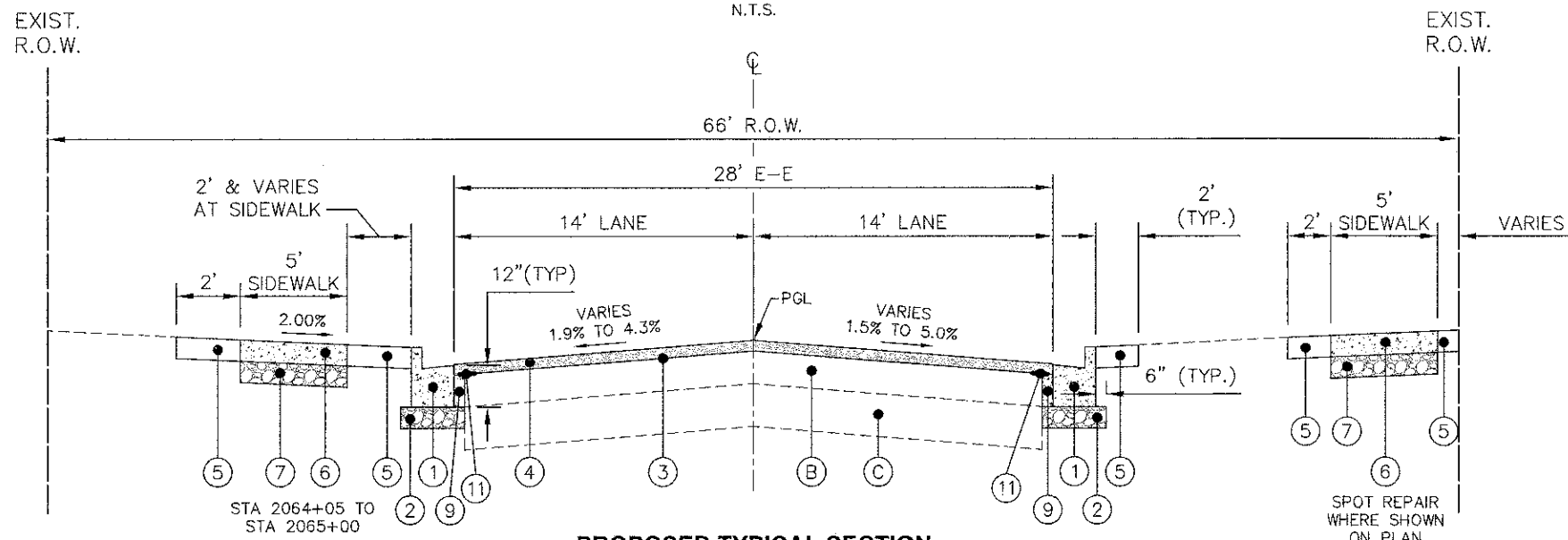


**EXISTING TYPICAL SECTION**

BATAVIA ROAD  
 STA 2051+42 TO STA 2065+00 AND STA 2072+50 TO STA 2081+05  
 N.T.S.



**PROPOSED TYPICAL SECTION**

BATAVIA ROAD  
 STA 2051+42 TO STA 2065+00 AND STA 2072+50 TO STA 2081+05  
 N.T.S.

**LEGEND**

- |  |  |
|--|--|
| (A) EXISTING ASPHALT SURFACE                                   | (1) COMBINATION CONCRETE CURB AND GUTTER, TYPE B-6.18 (SPECIAL)      |
| (B) EXISTING REINFORCED CONCRETE BASE                          | (2) SUBBASE GRANULAR MATERIAL, TYPE B, 4"                            |
| (C) EXISTING AGGREGATE SUBBASE                                 | (3) BITUMINOUS MATERIALS (PRIME COAT) AND AGGREGATE (PRIME COAT)     |
| (D) EXISTING COMBINATION CONCRETE CURB AND GUTTER, TYPE B-6.18 | (4) HOT-MIX ASPHALT SURFACE COURSE, MIX "D", N70, 2.0"               |
| (E) EXISTING PORTLAND CEMENT CONCRETE SIDEWALK                 | (5) TOPSOIL, 4", SEEDING, FERTILIZER, EROSION CONTROL BLANKET        |
| (F) HOT-MIX ASPHALT SURFACE REMOVAL, 2" SPECIAL                | (6) PORTLAND CEMENT CONCRETE SIDEWALK, 5" (7" AT DRIVEWAYS)          |
| (G) COMBINATION CURB AND GUTTER REMOVAL                        | (7) AGGREGATE BASE COURSE, TYPE B, 2" (INCLUDED IN COST OF SIDEWALK) |
| (H) SIDEWALK REMOVAL - SPOT REPAIR / LOCATIONS VARY            | (8) CLASS D PATCH, 4"  |
|  | (9) CONCRETE BACKFILL - SEE DETAIL                                   |
|  | (10) HOT-MIX ASPHALT SURFACE COURSE, MIX "D", N50, 2.0"              |
|  | (11) STRIP REFLECTIVE CRACK CONTROL TREATMENT                        |

Plotted: October 11, 2012 @ 11:09 AM By: Jim Schmidt - Tab: 05 Typ Section - 22x34  
 Engineering Enterprises, Inc.  
 CONSULTING ENGINEERS  
 52 Wheeler Road  
 Sugar Grove, Illinois 60554  
 630.466.8700 / www.eeinc.com

USER NAME =	DESIGNED - SWM/TWV	REVISED -
PLOT SCALE =	DRAWN - KKP/CLN/JPS	REVISED -
PLOT DATE =	CHECKED - JRL	REVISED -
	DATE - 8/24/12	REVISED -

**STATE OF ILLINOIS**  
**DEPARTMENT OF TRANSPORTATION**

<b>EXISTING AND PROPOSED TYPICAL SECTIONS</b>	
SCALE: N/A	SHEET NO. 2 OF 3 SHEETS
STA. N/A	TO STA. N/A

F.A.U. RTE. 3553	SECTION 10-00031-00-RS	COUNTY DUPAGE	TOTAL SHEETS 29	SHEET NO. 5
CONTRACT NO. 63758				FED. ROAD DIST. NO. 1 ILLINOIS
FED. AID PROJECT - M-9003(R66)				