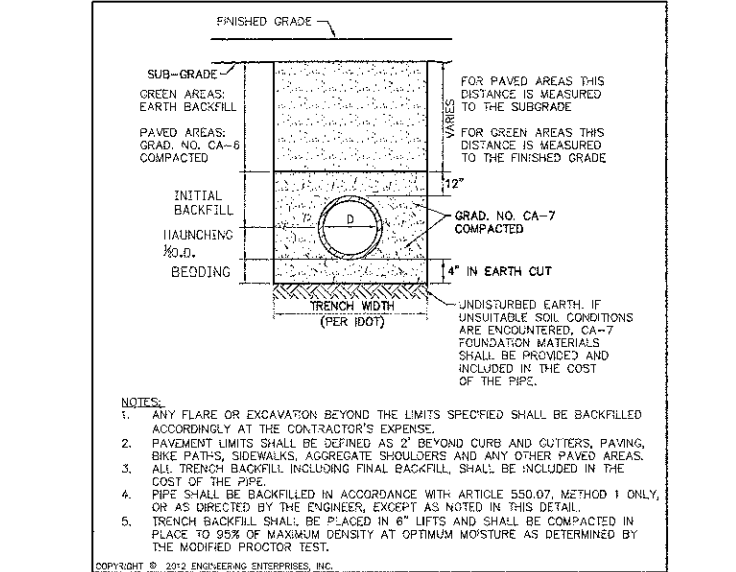
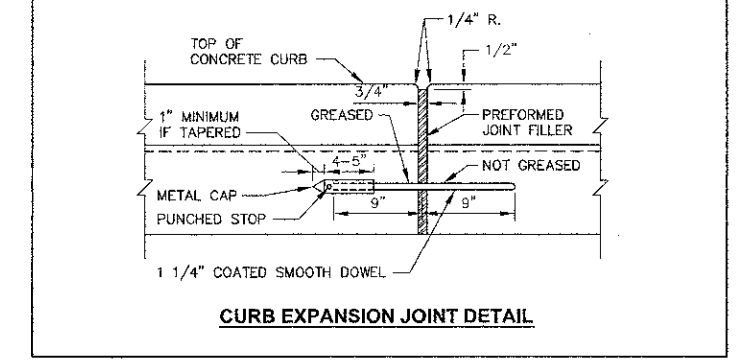


REINFORCING CURB & GUTTER OR SIDEWALK INSTALLED OVER TRENCH



Engineering Enterprises, Inc.	SCALE: N.T.S.	FOLDER: EE-SA	DRAWING NUMBER: TR-08	DRAWN BY: JPS
32 Wheeler Road Sugar Grove, Illinois 60054 Phone: (630) 466-9350	DATE: 8/2/12	REVISION:	REVISION:	REVISION:

Printed: October 18, 2012 @ 4:31 PM By: Jim Schmidt - Job: 22 Details 22x34

Engineering Enterprises, Inc. CONSULTING ENGINEERS  
32 Wheeler Road Sugar Grove, Illinois 60054  
630.466.6700 / www.eeiweb.com

USER NAME =	DESIGNED - SWM/TVW	REVISED -
PLOT SCALE =	DRAWN - KKP/CLN/JPS	REVISED -
PLOT DATE =	CHECKED - JRL	REVISED -
	DATE - 8/24/12	REVISED -

STATE OF ILLINOIS DEPARTMENT OF TRANSPORTATION

SCALE: N/A	SHEET NO. 2 OF 2 SHEETS	STA. N/A TO STA. N/A
------------	-------------------------	----------------------

SPECIAL DETAILS

F.A.U. RTE. 3553	SECTION 10-00031-00-RS	COUNTY DUPAGE	TOTAL SHEETS 29	SHEET NO. 22
FED. ROAD DIST. NO. 1 ILLINOIS			CONTRACT NO. 63758	
FED. AID PROJECT - M-9003866				

POSTED: S:\SIB\603\W1003\DWG\FINAL\_ENG\W1003-CR