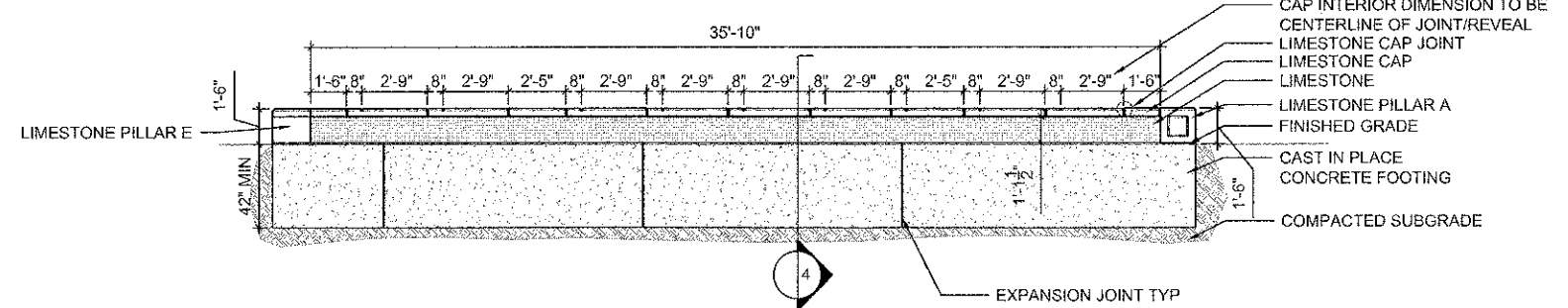
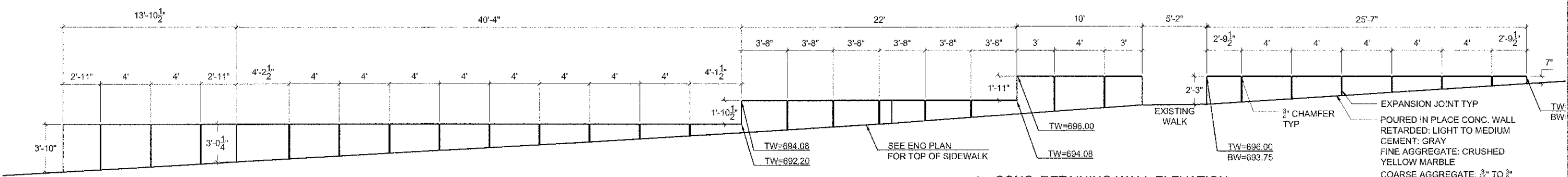


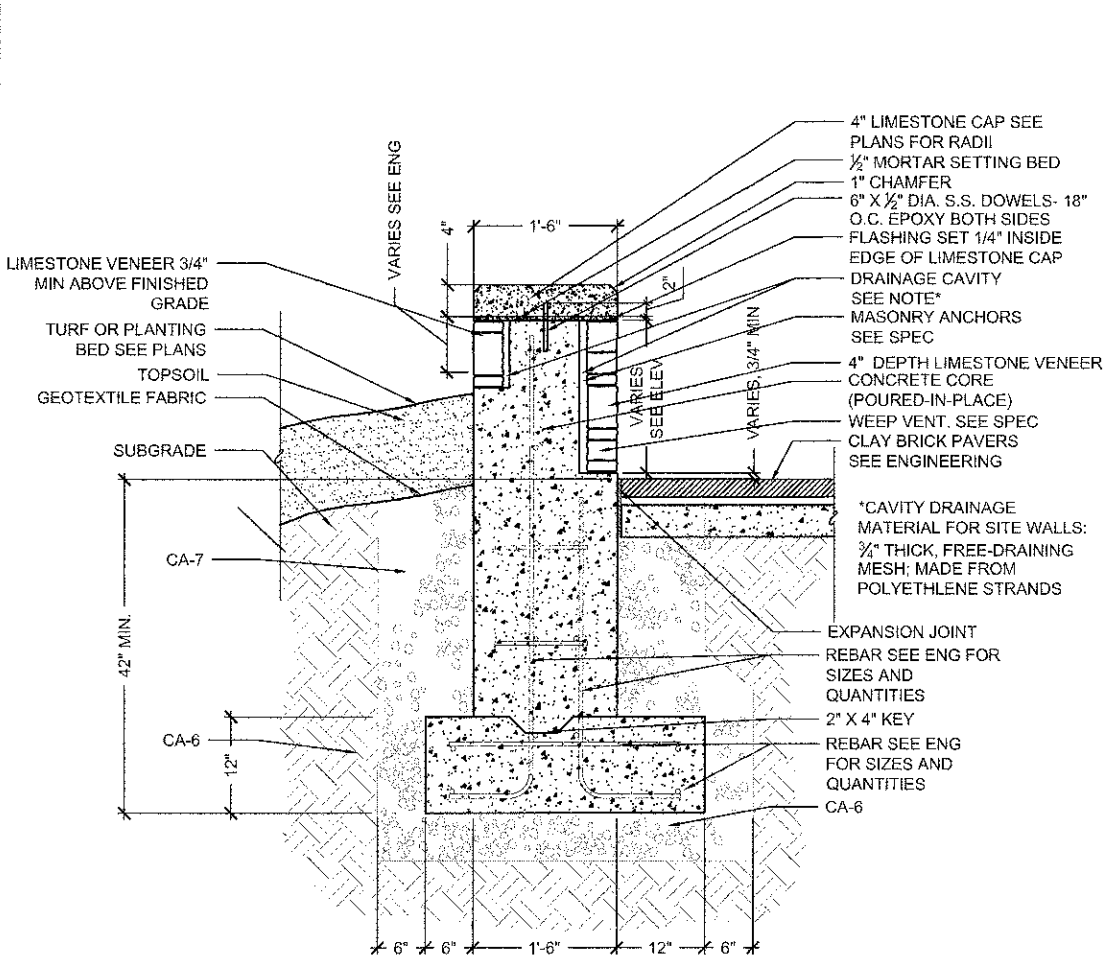
1 LIMESTONE VENEER SEAT WALL ELEVATION
SCALE= 1/4"=1'-0"



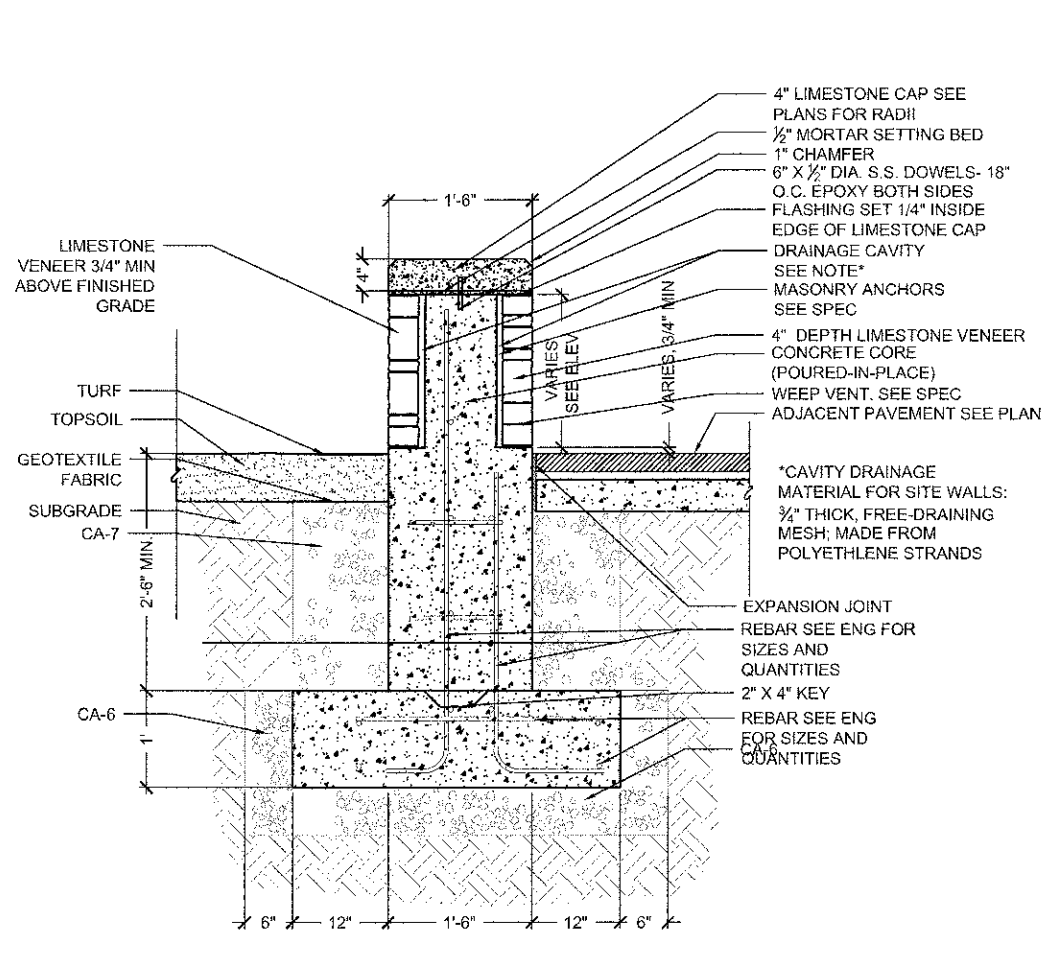
2 LIMESTONE VENEER SEAT WALL ELEVATION
SCALE= 1/4"=1'-0"



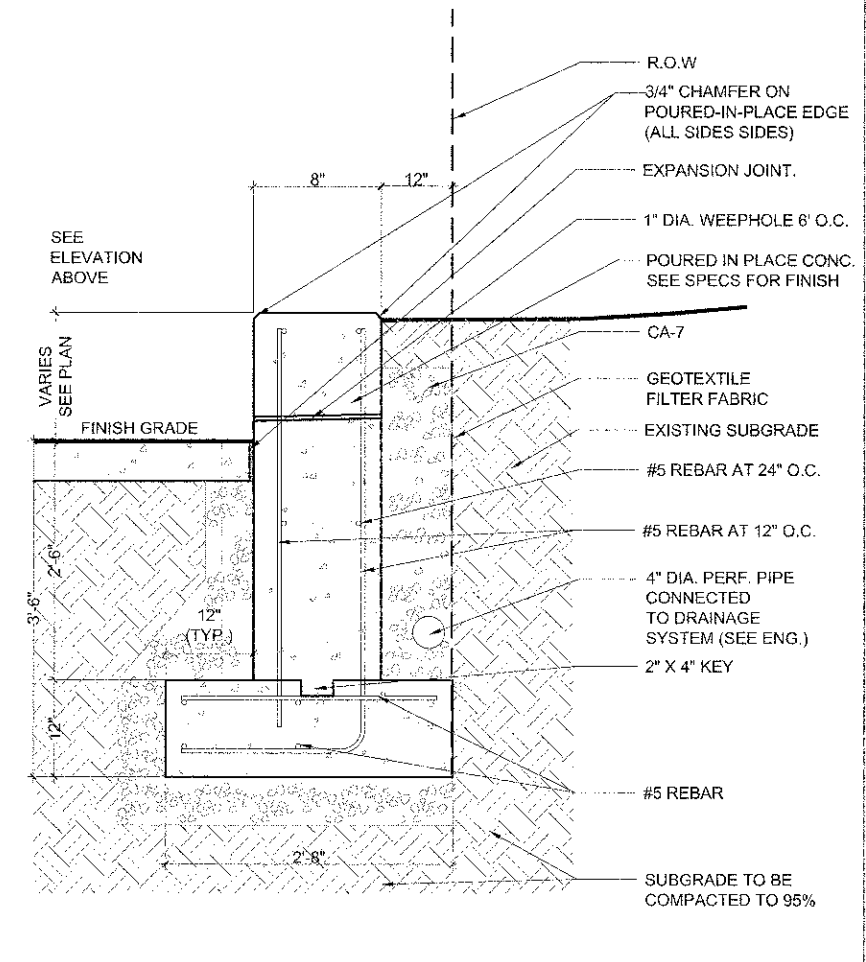
6 CONC. RETAINING WALL ELEVATION
SCALE= 1"=1'-0"



3 LIMESTONE VENEER SEAT WALL SECTION
SCALE= 1"=1'-0"



4 LIMESTONE VENEER SEAT WALL SECTION
SCALE= 1"=1'-0"



5 CONC. RETAINING WALL SECTION
SCALE= 1"=1'-0"

FILE NAME =	USER NAME	DESIGNED -- JB & JM	REVISED --	STATE OF ILLINOIS DEPARTMENT OF TRANSPORTATION	SITE DETAILS WILSON STREET		F.A.U. RTE. 1441	SECTION 12-00073-01-TL	COUNTY KANE	TOTAL SHEETS 88	SHEET NO. 32	
\$FILE#		DRAWN -- JC & SM	REVISED --		SCALE SHOWN	SHEET	OF	SHEETS	STA.	TO	STA.	ILLINOIS FED. AID PROJECT
	PLOT SCALE =	CHECKED -- JB	REVISED --									63763 CONTRACT NO.
	PLOT DATE =	DATE -- 10.18.2012	REVISED --									