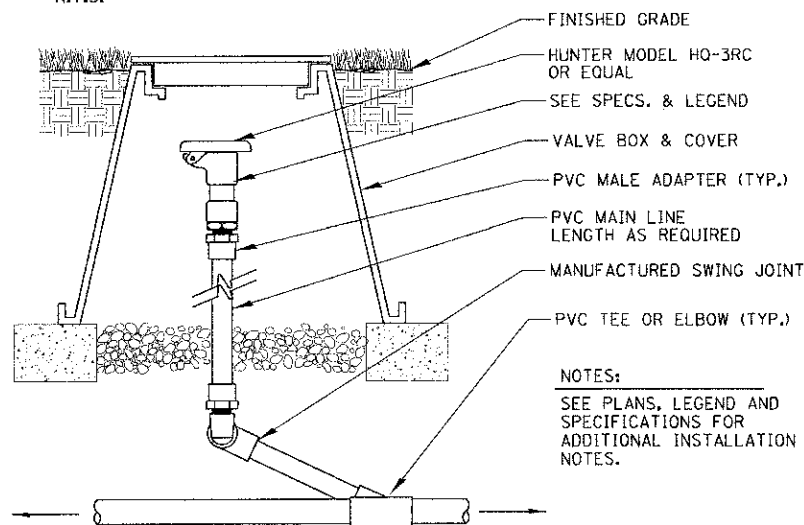


NOTES:

1. CONTRACTOR SHALL COORDINATE IRRIGATION PIPING WITH PROPOSED ELECTRICAL EQUIPMENT LOCATED INSIDE PLANTER BOXES.

PLANTER BOX IRRIGATION DETAIL

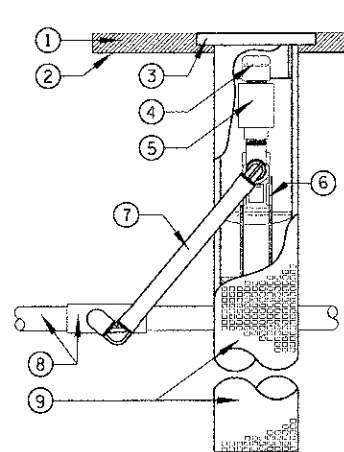
N.T.S.



- NOTES:**
SEE PLANS, LEGEND AND SPECIFICATIONS FOR ADDITIONAL INSTALLATION NOTES.

QUICK COUPLING VALVE DETAIL

N.T.S.

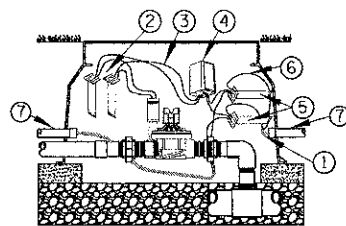


- 1 MULCH
- 2 FINISH GRADE
- 3 GRATED CAP
- 4 HUNTER 0.50 GPM PCB BUBBLER
- 5 HUNTER HCV CHECK VALVE
- 6 PATENTED STRATA ROOT SYSTEM
- 7 HUNTER SWING JOINT
- 8 LATERAL TEE OR ELL/PIPE
- 9 ROOT INTRUSION BARRIER

NOTE: INSTALL HUNTER FILTER FABRIC SLEEVE-#RZWS-SLEEVE

36" ROOT ZONE WATERING SYSTEM

N.T.S.

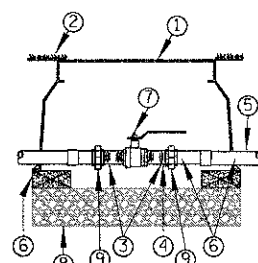


NOTES:

1. ALL DUAL-1 DECODERS SHALL HAVE THE FOLLOWING ADDRESS AND CORRESPONDING COLOR: ADDRESS 1 = BLACK
2. THE MINIMUM RECOMMENDED LEVEL OF PROTECTION IS TO HAVE ONE DECODER GROUNDING AT THE END OF EACH WIRE PATH AND ONE DECODER GROUNDING EVERY 1,000 FT OR 12TH DECODER. FOR HIGHER LEVELS OF PROTECTION, GROUND THE DECODERS MORE FREQUENTLY.

DUAL-1 DECODER DETAIL

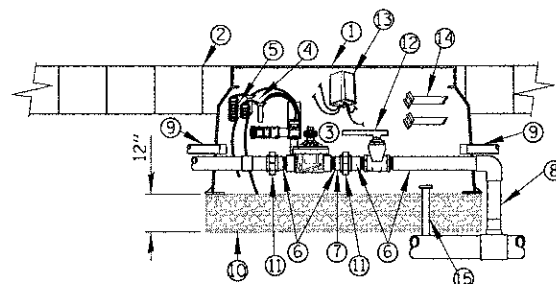
N.T.S.



- 1 VALVE BOX, TIER 15 OR EQUAL LOADING
- 2 FINISH GRADE
- 3 SCH 80 T.O.E. NIPPLE
- 4 SCH 80 NIPPLE
- 5 MAIN LINE PIPE & FITTINGS
- 6 BRICK SUPPORTS (4)
- 7 FULL PORT BALL VALVE
- 8 3/4" MINUS WASHED GRAVEL
- 9 PVC SLIP UNIONS

MANUAL ISOLATION VALVE DETAIL

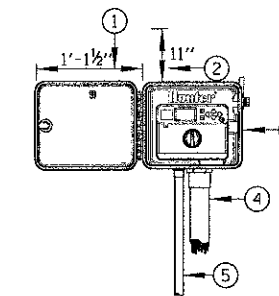
N.T.S.



- 1 VALVE BOX, TIER 15 OR EQUAL LOADING WITH BOLTED/GASKETED LID AND "IRRIGATION" LOGO. SIZED TO BE DETERMINED BY CONTRACTOR
- 2 FINISH GRADE
- 3 REMOTE CONTROL VALVE MODEL ICV-101G
- 4 WATERPROOF CONNECTORS (2)
- 5 18-24" COILED WIRE
- 6 SCH 80 THREADED ONE END (T.O.E.) ONLY NIPPLE
- 7 SCH 80 NIPPLE
- 8 MAIN LINE PIPE & FITTINGS
- 9 CONTROL WIRING IN SCH 40 PVC
- 10 3/4" MINUS WASHED GRAVEL
- 11 PVC SLIP UNIONS
- 12 BALL VALVE LINE SIZED
- 13 MODEL DUAL-1 DECODER
- 14 DBRY-6 (2) WATERPROOF SPLICE CONNECTORS
- 15 QUICK COUPLER

AUTOMATIC ELECTRIC CONTROL VALVE WITH ISOLATION VALVE DETAIL

N.T.S.



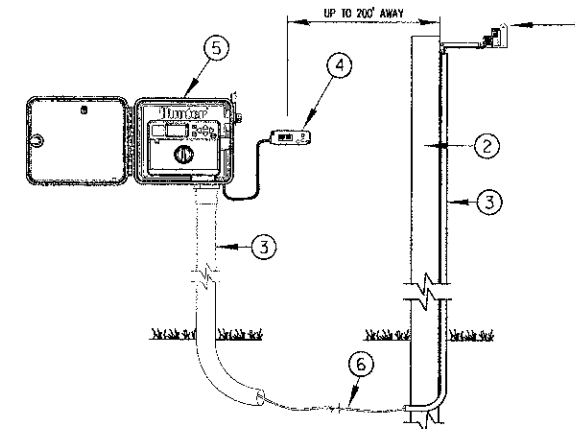
- 1 MINIMUM CLEARANCE FOR DOOR OPENING
- 2 MINIMUM VERTICAL CLEARANCE NEEDED FOR HINGE PIN REMOVAL
- 3 I-CORE CONTROLLER MODEL #IC-600-PL-DUAL48M
- 4 CONTROL WIRE IN ELECTRICAL CONDUIT. SIZE AND TYPE PER LOCAL CODE
- 5 1" POWER SUPPLY CONDUIT WITH 3/C #10 J-BOX INSIDE CONTROLLER CONNECT PER LOCAL CODE

NOTES:

1. MOUNT CONTROLLER WITH LCD SCREEN AT EYE LEVEL. CONTROLLER SHALL BE HARD-WIRED TO GROUNDING 110 VAC SOURCE.

I-CORE CONTROLLER

N.T.S.



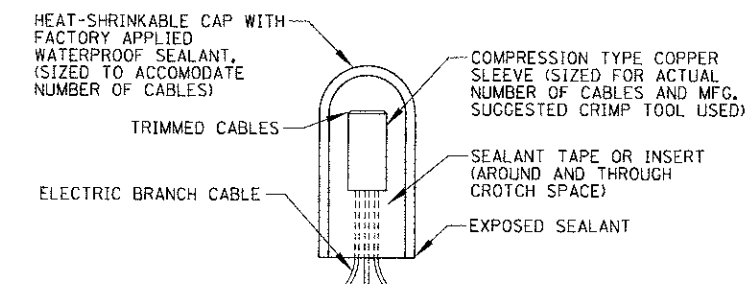
- 1 MODEL: SOLAR SYNC SENSOR
- 2 SUITABLE POST, POLE, OR GUTTER MOUNT. MOUNT IN LOCATION WHERE SENSOR CAN RECEIVE FULL SUN, IS OPEN TO RAINFALL AND OUT OF SPRINKLER SPRAY PATTERN
- 3 CONDUIT FOR SOLAR SYNC COMMUNICATION WIRE TO CONTROLLER OR 12" BELOW GRADE
- 4 MODEL SOLAR SYNC MODULE MOUNT LESS THAN 6' AWAY FROM CONTROLLER.
- 5 HUNTER I-CORE CONTROLLER
- 6 CONTROL WIRE

NOTES:

1. COORDINATE LOCATION OF SOLAR SYNC SENSOR WITH CITY.

SOLAR SYNC SYSTEM

N.T.S.



WATERPROOF SPLICE

N.T.S.