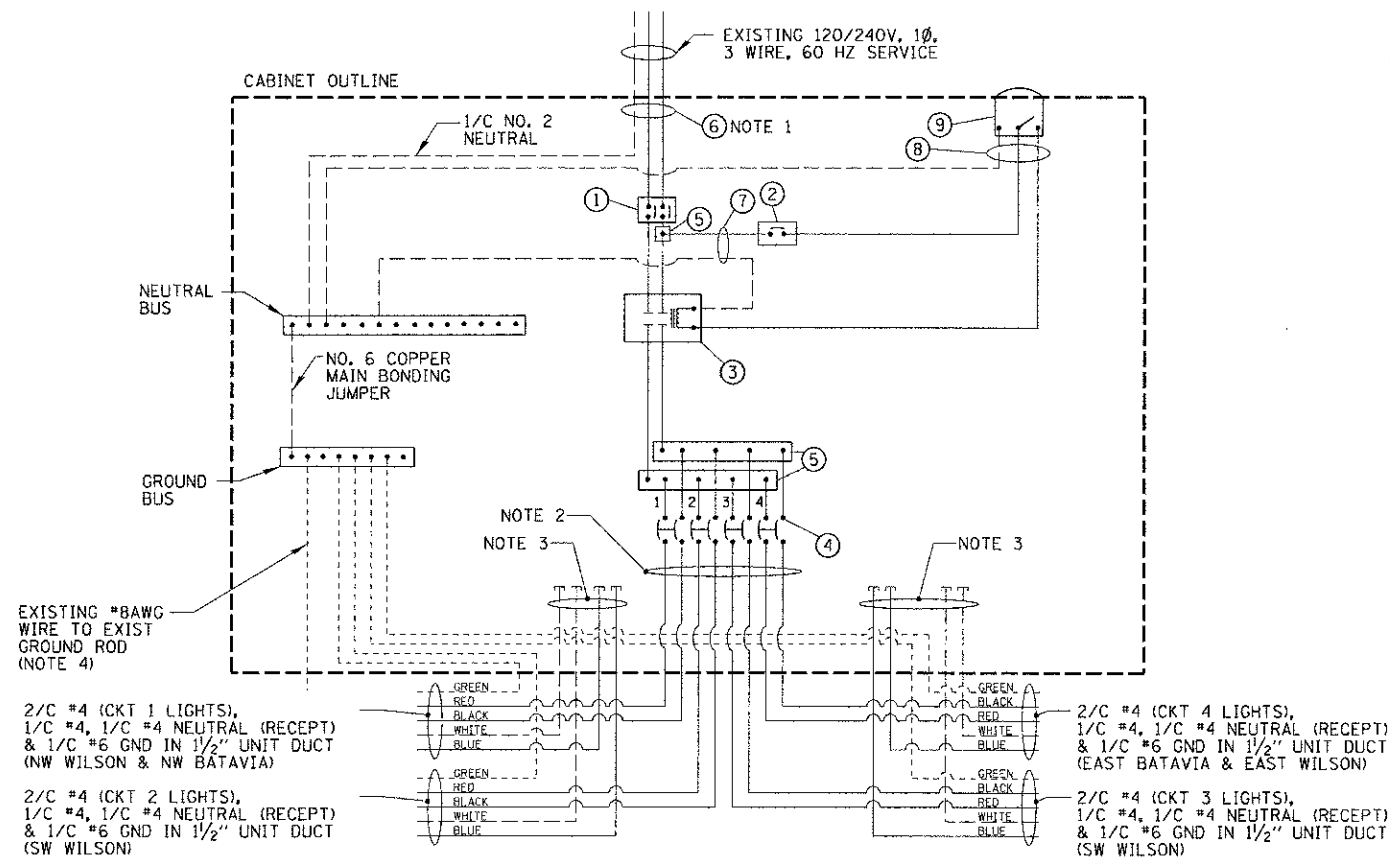


ITEM	SPECIFICATION	MANUFACTURER/MODEL NO. OR EQUAL
① MAIN CIRCUIT BREAKER	100 AMPERE, 2P, 240 V RATING, 22K AIC	SIEMENS NO. ED42B100
② PHOTOELECTRIC CONTROL CIRCUIT BREAKER	15 AMPERE, 1P, 120 V RATING, 22K AIC	SIEMENS NO. ED41B015
③ CONTACTOR	100 AMPERE, 2 POLE, 120 V COIL, ELECT HELD	SQUARE D NO. 8903 S001 V02
④ BRANCH LINE CIRCUIT BREAKERS	4 - 30 AMPERE, 2P, 240 V RATING, 22K AIC	SIEMENS NO. ED42B030
⑤ POWER DISTRIBUTION BLOCK	600 VOLT, INSULATED, SIZE AS REQUIRED	MARATHON
⑥ SERVICE CABLES	3-600V (XLP-TYPE USE) NO. 2	N/A
⑦ CONTROL WIRE	2-600V MTW NO. 12	N/A
⑧ PHOTOELECTRIC CONTROL WIRE	3-600V MTW NO. 12	N/A
⑨ PHOTOCCELL	120V, MTD. ON CABINET, DELAY TYPE, SPST-NC	FISHER PIERCE NO. FPFA-105

TEMPORARY LIGHTING CONTROLLER COMPONENT SCHEDULE

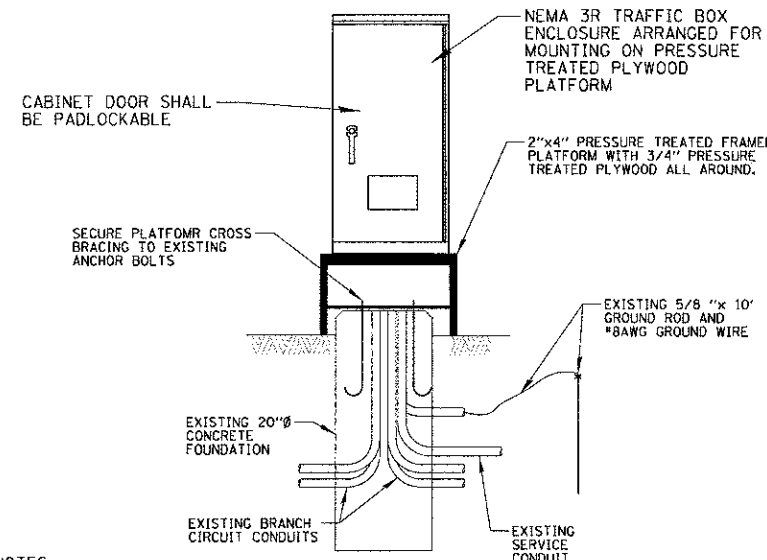


NOTES:

- RECONNECT EXISTING SERVICE CABLES.
 - RECONNECT EXISTING STREET LIGHTING CABLES.
 - CAP EXISTING FESTOON RECEPTACLE CABLES.
 - RECONNECT EXISTING GROUND CABLE.
- PHASE CONDUCTOR
 - - - - - NEUTRAL CONDUCTOR
 ······· GROUND CONDUCTOR

TEMPORARY LIGHTING CONTROLLER WIRING DETAIL

N.T.S.

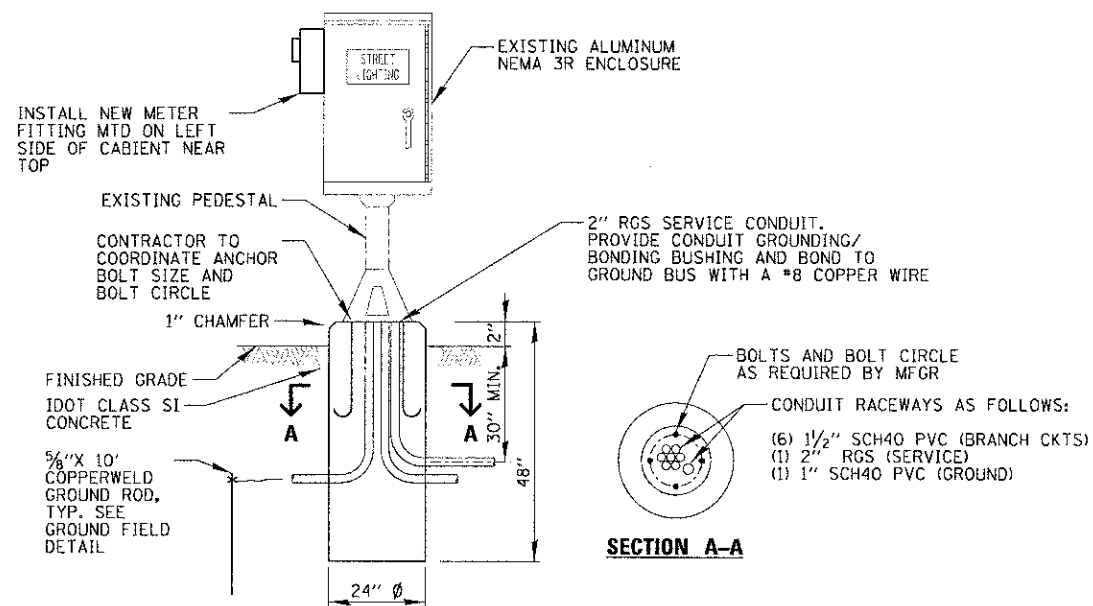


NOTES:

- DISCONNECT AND REMOVE EXISTING PEDESTAL MOUNTED LIGHTING CONTROLLER.
- INSTALL AND CONNECT TEMPORARY LIGHTING CONTROLLER AS SHOWN SAME DAY.
- AFTER RELOCATED CONTROLLER HAS BEEN REINSTALLED AND CONNECTED, THE TEMPORARY CONTROLLER SHALL BE REMOVED. THE EXISTING CONCRETE FOUNDATION AND CONDUITS SHALL BE REMOVED TO AT LEAST 2 FEET BELOW GRADE AND DISPOSED OF. THE SERVICE CABLE SHALL BE REMOVED AND DISPOSED OF.

TEMPORARY LIGHTING CONTROLLER CABINET DETAIL

N.T.S.



NOTES:

- INSTALL NEW CONCRETE FOUNDATION AND ANCHOR BOLTS.
- INSTALL NEW SERVICE CONDUIT AND WIRE.
- INSTALL NEW GROUND FIELD AND GROUND WIRE.
- INSTALL NEW METER FITTING ON CABINET AND NEW 3/C #2 WIRES TO MAIN BREAKER AND NEUTRAL BUS.
- REINSTALL EXISTING CABINET.
- INSTALL NEW CONDUIT EXTENSIONS FROM EXISTING CONTROLLER LOCATION.
- INSTALL NEW SPANS OF BRANCH CIRCUIT CABLES FROM RELOCATED CONTROLLER TO FIRST LIGHT POLE ON EACH CONDUIT RUN. CABLES SHALL BE CONNECTED TO SAME CIRCUITS AS EXISTING.

GENERAL SHEET NOTES:

- ALL WORK SHOWN ON THIS SHEET SHALL BE INCLUDED IN THE "REMOVE AND RELOCATE LIGHTING SYSTEM" PAY ITEM, EXCEPT THE NEW ELECTRIC SERVICE INSTALLATION, SERVICE CONDUIT/WIRE, CONDUIT EXTENSIONS, AND NEW SPANS OF BRANCH CIRCUIT CABLES SHALL BE PAID FOR SEPARATELY.
- ALL EXISTING LIGHTING ON THIS SYSTEM SHALL BE OPERATIONAL EVERY NIGHT THROUGHOUT CONSTRUCTION.

RELOCATED LIGHTING CONTROLLER CABINET AND FOUNDATION

N.T.S.

CB CHRISTOPHER B. BURKE ENGINEERING, LTD. 9575 W. Higgins Road, Suite 600 Rosemont, Illinois 60018 (847) 823-0500	USER NAME = kbalderin DESIGNED AJD DRAWN KWB CHECKED AJD DATE 10/22/2012	REVISED - REVISED - REVISED - REVISED -	STATE OF ILLINOIS DEPARTMENT OF TRANSPORTATION	ROADWAY LIGHTING DETAILS (6 OF 6) WILSON STREET	F.A.U. RT# 1441 SECTION 12-00073-01-TL COUNTY KANE TOTAL SHEETS 88 SHEET NO. 71
	PLOT SCALE = 20' PLOT DATE = 10/22/2012	SCALE: N.T.S. SHEET OF 88 SHEETS STA. TO STA.	CONTRACT NO. 63763 ILLINOIS FED. AID PROJECT		