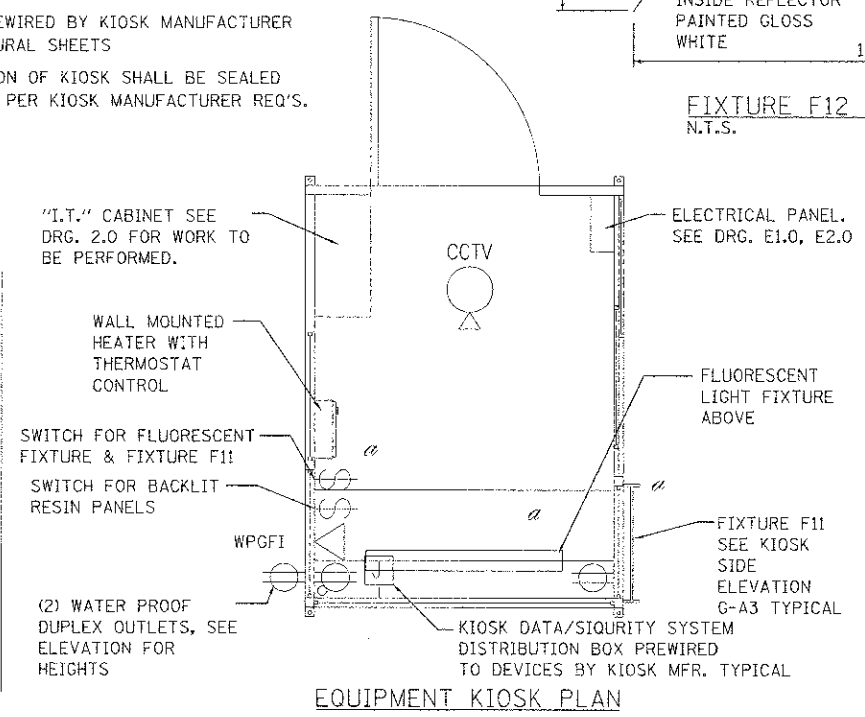
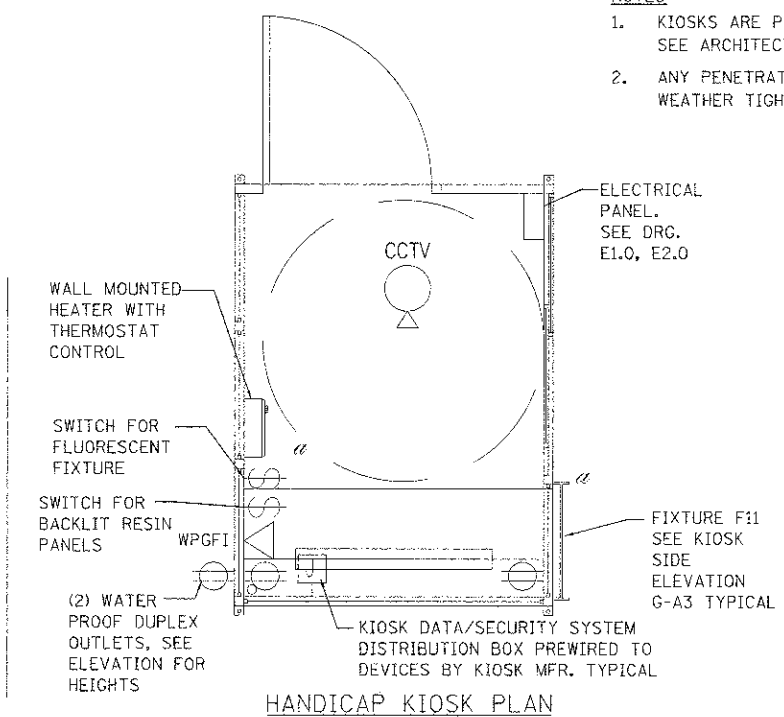
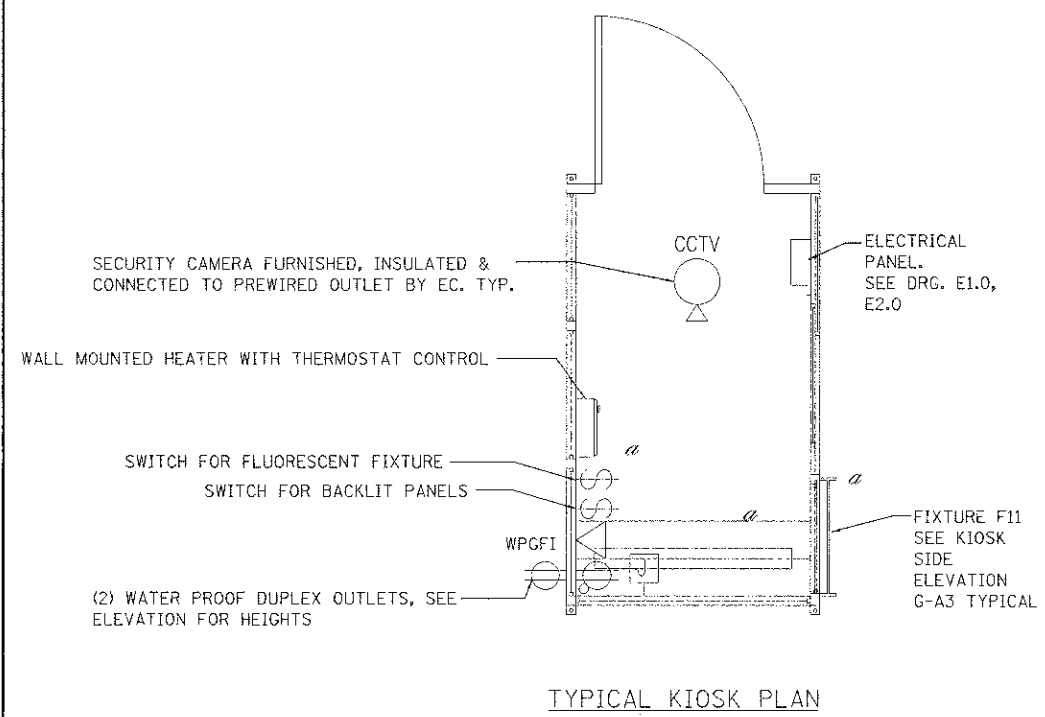
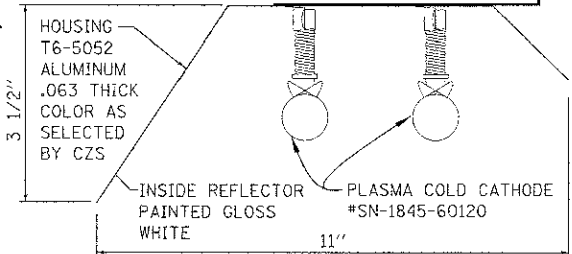


## CANOPY LIGHTING AND GROUNDING PLAN

- NOTES**
1. KIOSKS ARE PREWIRED BY KIOSK MANUFACTURER SEE ARCHITECTURAL SHEETS
  2. ANY PENETRATION OF KIOSK SHALL BE SEALED WEATHER TIGHT PER KIOSK MANUFACTURER REQ'S.



FILE NAME =	USER NAME = dte	DESIGNED - WK	REVISED -	<b>STATE OF ILLINOIS DEPARTMENT OF TRANSPORTATION</b>	<b>CANOPY LIGHTING PLAN E1.2</b>	F.A.U. RTE. 3784	SECTION 12-F3000-23-PK	COUNTY COOK	TOTAL SHEETS 133	SHEET NO. 99	
...:\sheet\Lighting\2563.F.1.2.dgn	PLT SCALE = 4.0000 / 1 in.	DRAWN - FI	REVISED -			SCALE: NONE	SHEET NO. 1 OF 1 SHEETS	STA.	TO STA.	FED. ROAD DIST. NO. 1 ILLINOIS	FED. AID PROJECT
PLT DATE = 12/13/2012	DATE = 10/22/2012	CHECKED - VT	REVISED -							CONTRACT NO. 63764	
		REVISOR -	REVISED -								