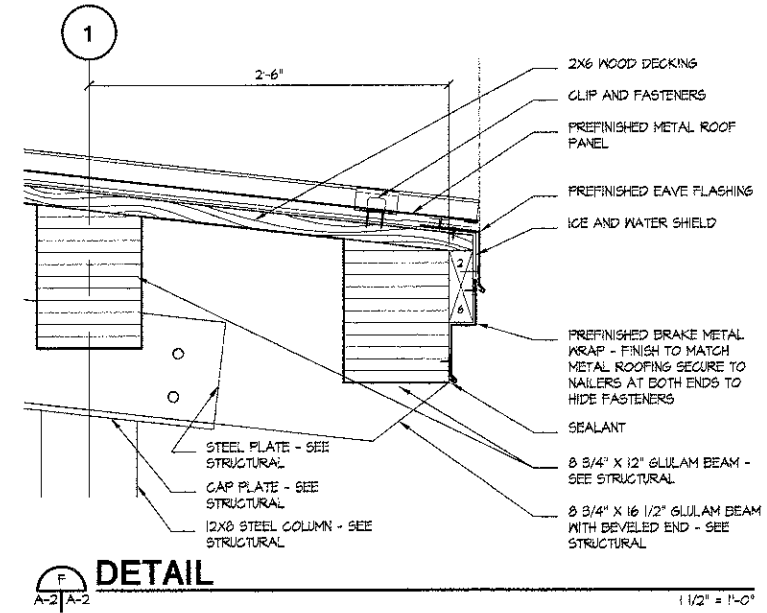


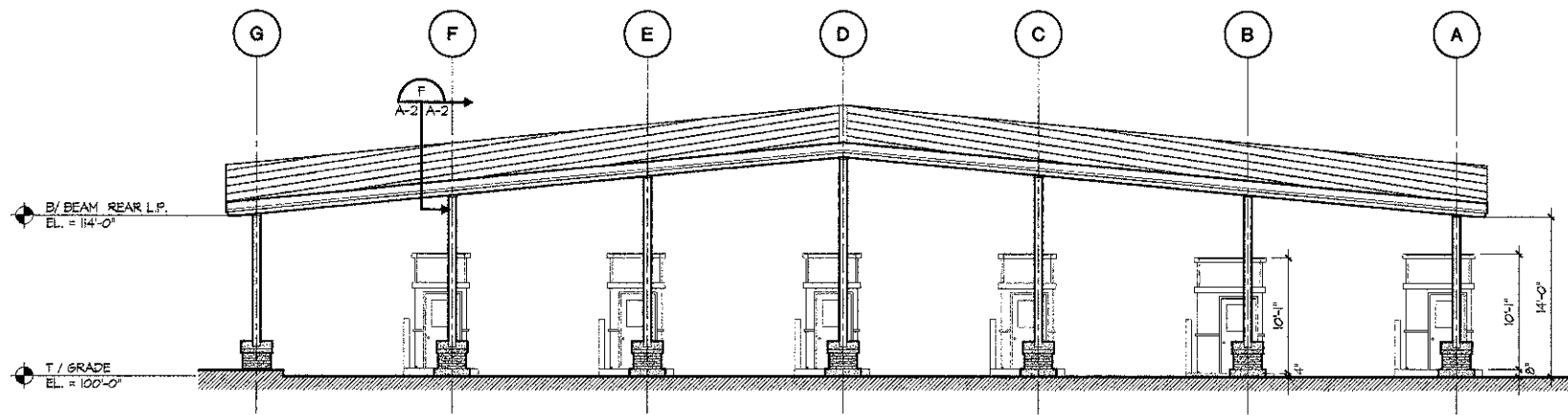
A FRONT ELEVATION
A-1 | A-2

1/8" = 1'-0"



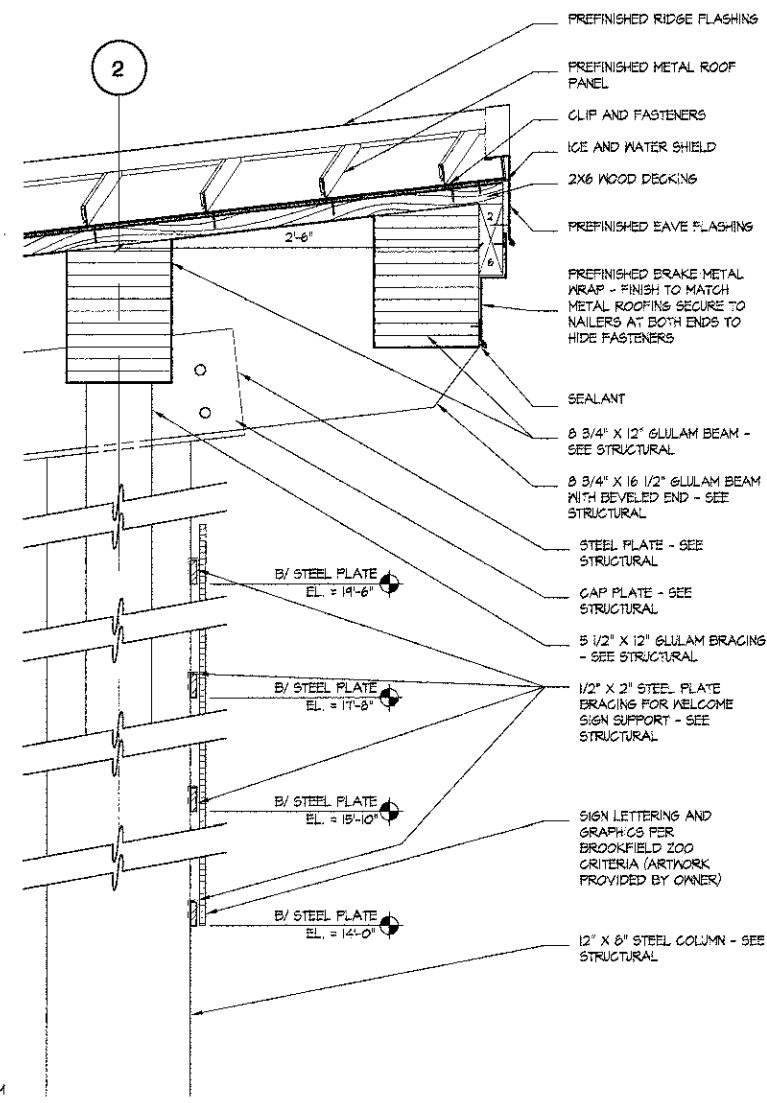
F DETAIL
A-2 | A-2

1/2" = 1'-0"



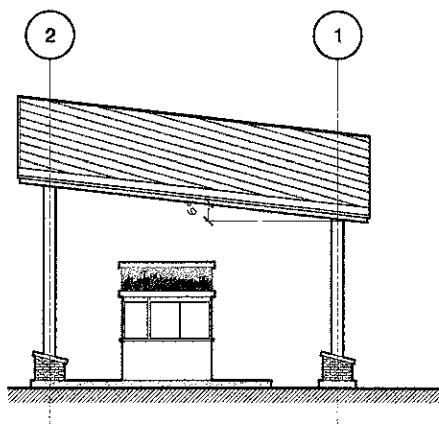
B REAR ELEVATION
A-1 | A-2

1/8" = 1'-0"



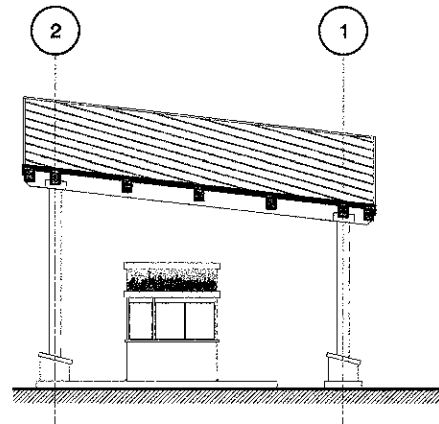
G DETAIL
A-2 | A-2

1/2" = 1'-0"



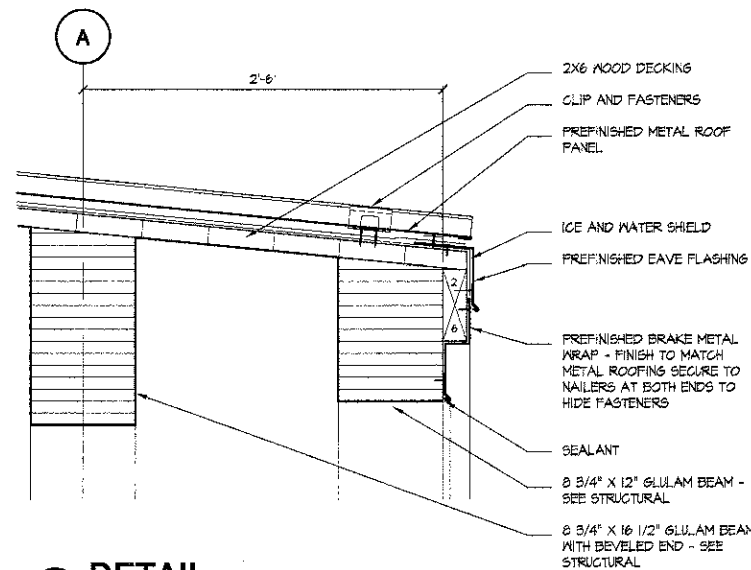
C SIDE ELEVATION
A-1 | A-2

1/8" = 1'-0"



D CANOPY SECTION
A-1 | A-2

1/8" = 1'-0"



F DETAIL
A-2 | A-2

1/2" = 1'-0"

The Jenkins Group
Architectural | Interior | Planning
300 Park Blvd., Suite 250
Itasca, Illinois 60143
Tel: 630.250.9100 Fax: 630.250.9177
www.thejenkinsgroup.com

DRAWN	M. LANGE	REVISED	-
DESIGNED	M. LANGE	REVISED	-
CHECKED	G. HATLESTAD	REVISED	-
DATE	10/22/2012	REVISED	-

STATE OF ILLINOIS
DEPARTMENT OF TRANSPORTATION

BROOKFIELD ZOO CANOPY
ELEVATIONS AND DETAILS

F.A.U. RTE.	SECTION	COUNTY	TOTAL SHEETS	SHEET NO.
3784	06-0019-00-PK	COOK	133	105

ILLINOIS FED. AID PROJECT

SHEET NO. A-2