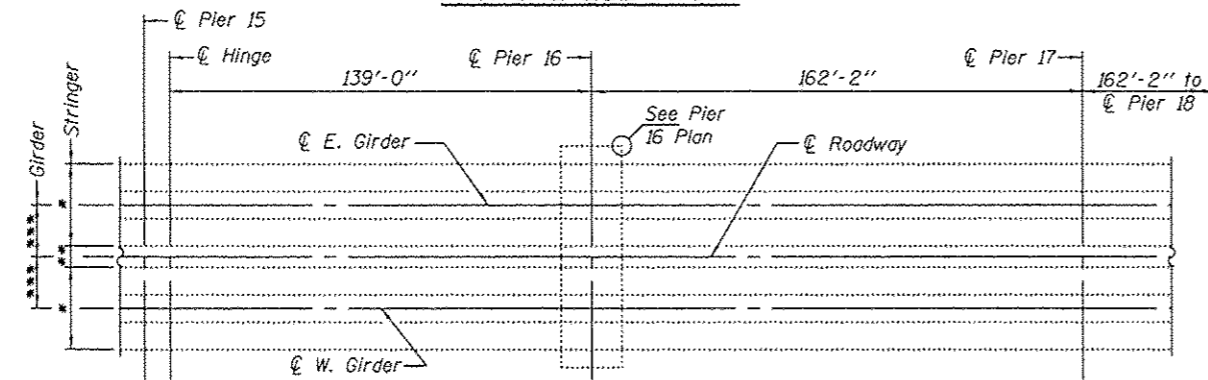


PARTIAL ELEVATION

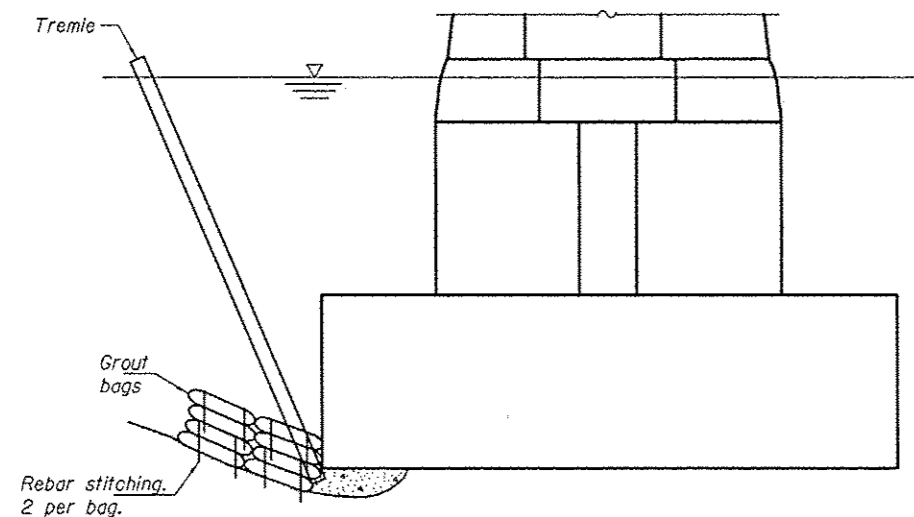


PARTIAL FRAMING PLAN

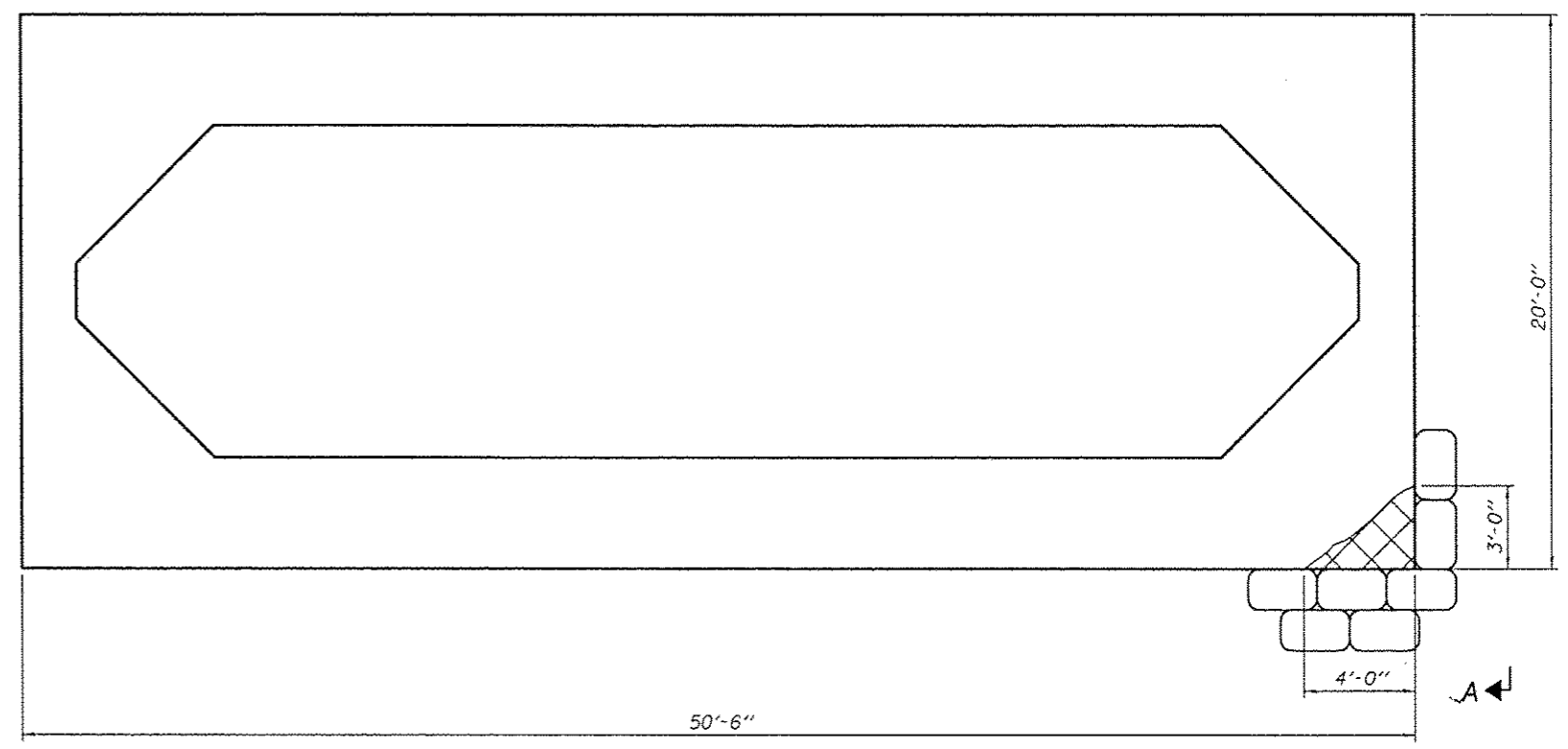
- * 3 Spaces at 9'-0" = 27'-0"
- ** 7'-0"
- *** 17'-0"

GENERAL NOTES

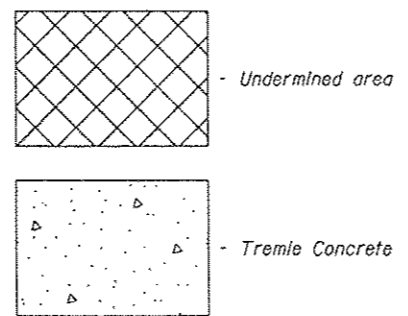
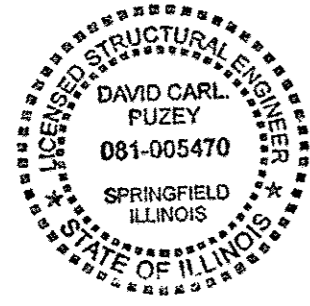
Remove unstable material along bottom of undermined area prior to bag placement and filling with grout.
 Stack grout bags along face of pier in front of undermined area. Bags stacked in successive rows and tiers shall be staggered.
 Once vent/fill pipes have been installed and bags are filled, pump grout into the undermined area until material appears in the top of adjacent vent pipes. Cut or remove the vent/fill pipes flush with the top of the bags after pumping operation is complete.
 Adequate venting of water to be displaced in the undermined area is important. The water must be able to escape when displaced by grout pumped into the cavity. A max. 4ft spacing of vent/fill pipes is recommended.
 Keep nozzle buried in the grout during pumping to reduce the amount of mixing of the grout and water to be displaced.
 All bags shall be 1ft max. thck, 3ft max. wide and 4ft max. long.
 Plan dimensions and details relative to existing plans are subject to nominal construction variations. The Contractor shall field verify existing dimensions and details affecting new construction and make necessary approved adjustments prior to construction or ordering of materials. Such variations shall not be cause for additional compensation for a change in scope of the work, however, the Contractor will be paid for the quantity actually furnished at the unit price bid for the work.



VIEW A-A



PIER 16 PLAN



TOTAL BILL OF MATERIAL

ITEM	UNIT	QUANTITY
Substructure Repairs (Grout Bags)	L.S.	1