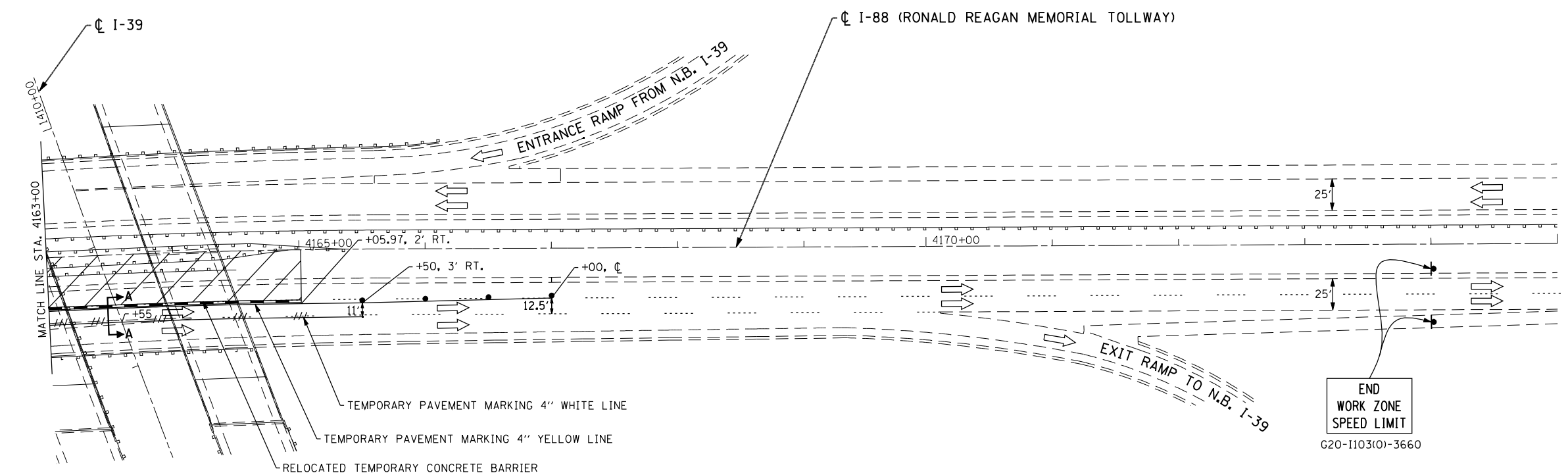
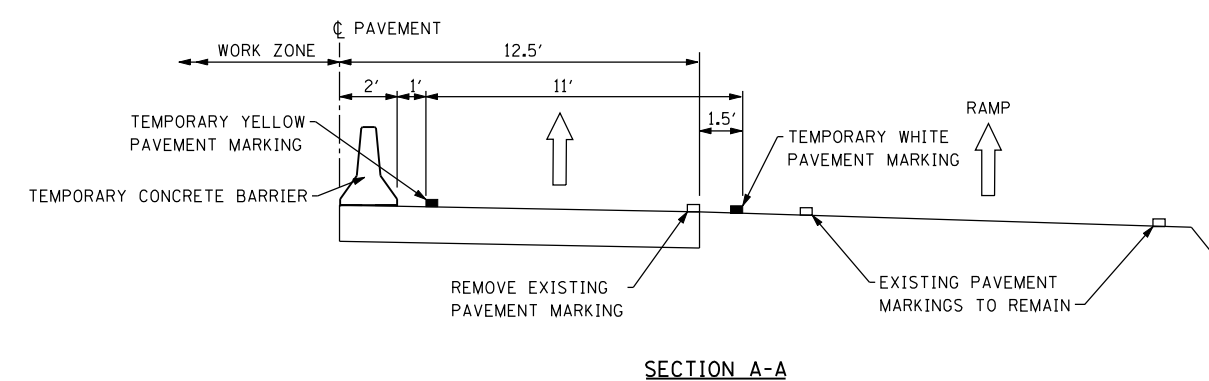
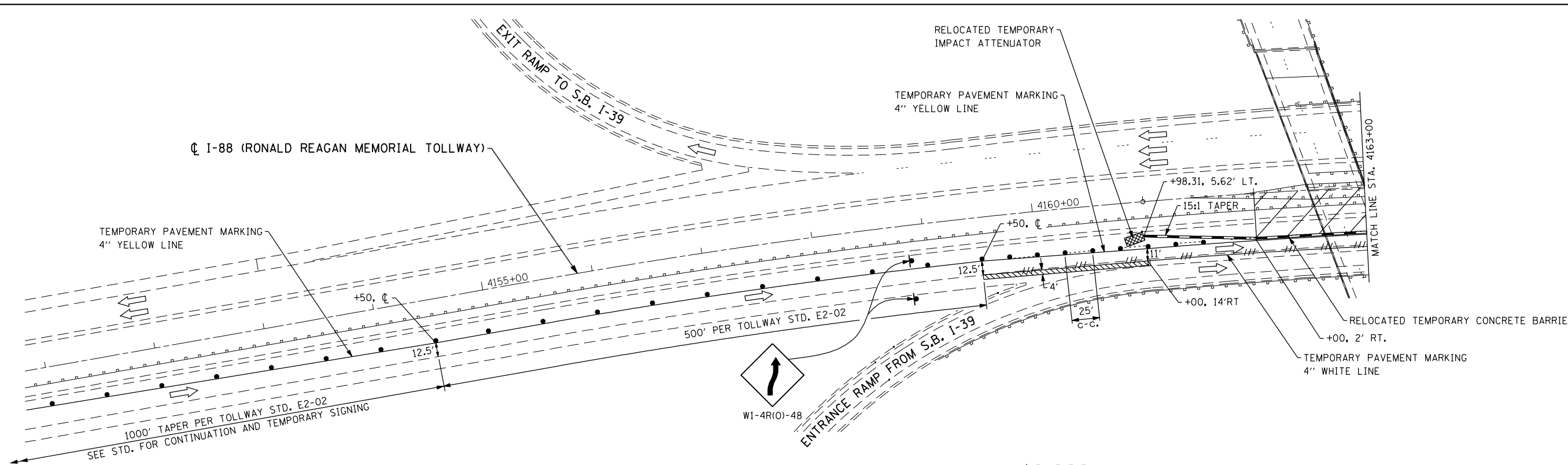


DATE	
BY	
NO.	
ORIGINAL SURVEY	
SURVEYED	
PLOTTED	
TEMPLATE	
AREAS CHECKED	
NO.	
FINAL SURVEY	
NOTE BOOK	
AREAS CHECKED	
NO.	

DATE	
BY	
NO.	
ORIGINAL SURVEY	
SURVEYED	
PLOTTED	
TEMPLATE	
AREAS CHECKED	
NO.	
FINAL SURVEY	
NOTE BOOK	
AREAS CHECKED	
NO.	



LEGEND

- PROPOSED HMA SURFACE REMOVAL, 2" HMA SURFACE COURSE, MIX 'C', N50, 2"
- TEMPORARY CONCRETE BARRIER
- IMPACT ATTENUATOR, TEMPORARY (NON-REDIRECTIVE) TEST LEVEL 3
- TRAFFIC FLOW ARROW
- WORK ZONE
- DRUMS SPACED AT INTERVALS AS NOTED
- PAVEMENT MARKING REMOVAL
- TEMPORARY SIGN WITH MESSAGE

FILE NAME = sht-stage2.01 I-88.dgn
 PLOT DATE = 9/6/2012
 PLOT SCALE = 100.0000' / IN.

CHRISTIAN-ROGE & ASSOCIATES, INC.
 ENGINEERS-PLANNERS-SURVEYORS
 211 WEST WACKER DRIVE
 CHICAGO, ILLINOIS 60606
 PHONE: (312)372-2023 FAX: (312)372-8274

DESIGNED	- E.M.	REVISED	-
DRAWN	- B.K.	REVISED	-
CHECKED	- G.F.L.	REVISED	-
DATE	- JULY 2012	REVISED	-

STATE OF ILLINOIS
DEPARTMENT OF TRANSPORTATION

TRAFFIC CONTROL AND PROTECTION
I-88 UNDER I-39
STAGE II

SCALE: SHEET NO. OF SHEETS STA. TO STA.

F.A.I. RTE.	SECTION	COUNTY	TOTAL SHEETS	SHEET NO.
39	D2 BRIDGE PAINTING 2013-2	OGLE	26	11
CONTRACT NO. 64J27				
FED. ROAD DIST. NO. 1 ILLINOIS FED. AID PROJECT				