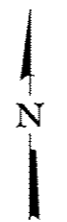
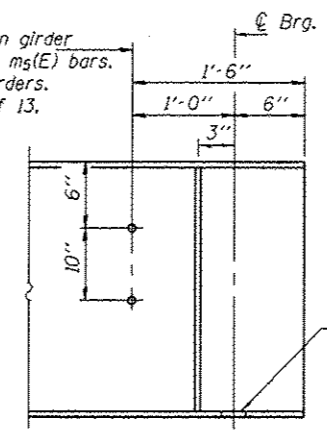


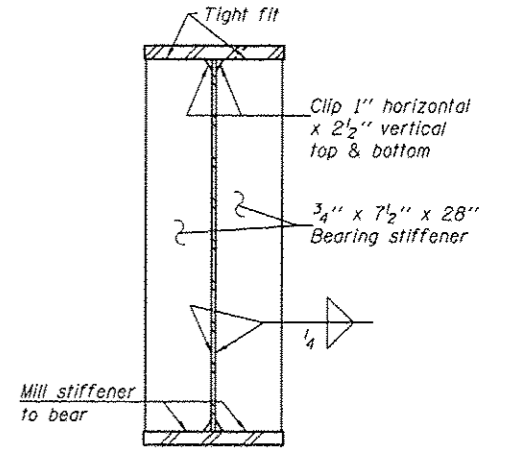
PLAN



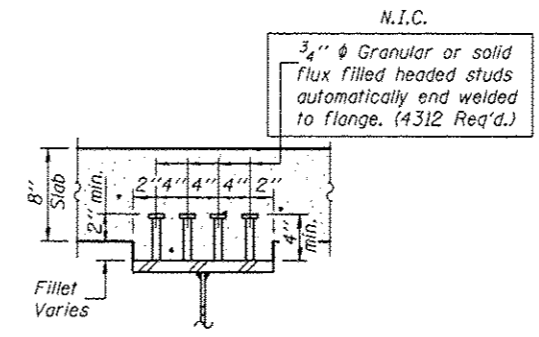
1" φ holes in girder for m2(E) thru m5(E) bars. Typ. for all girders. See sheet 8 of 13.



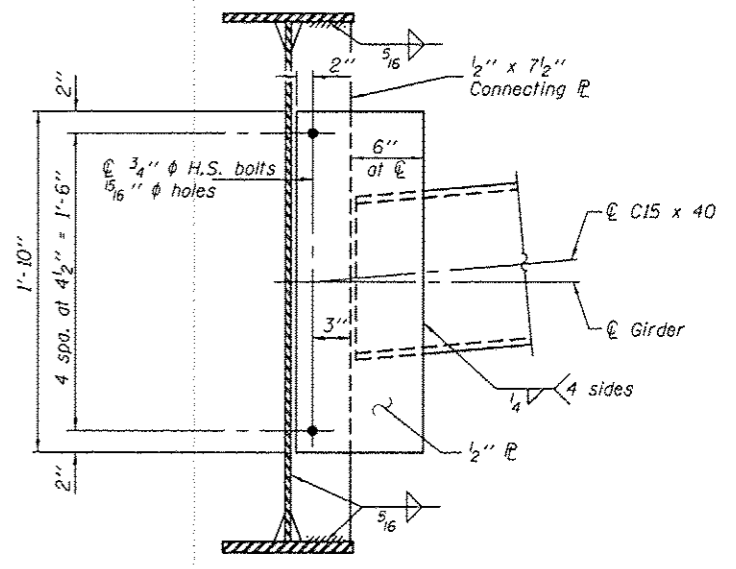
END OF GIRDER ELEVATION



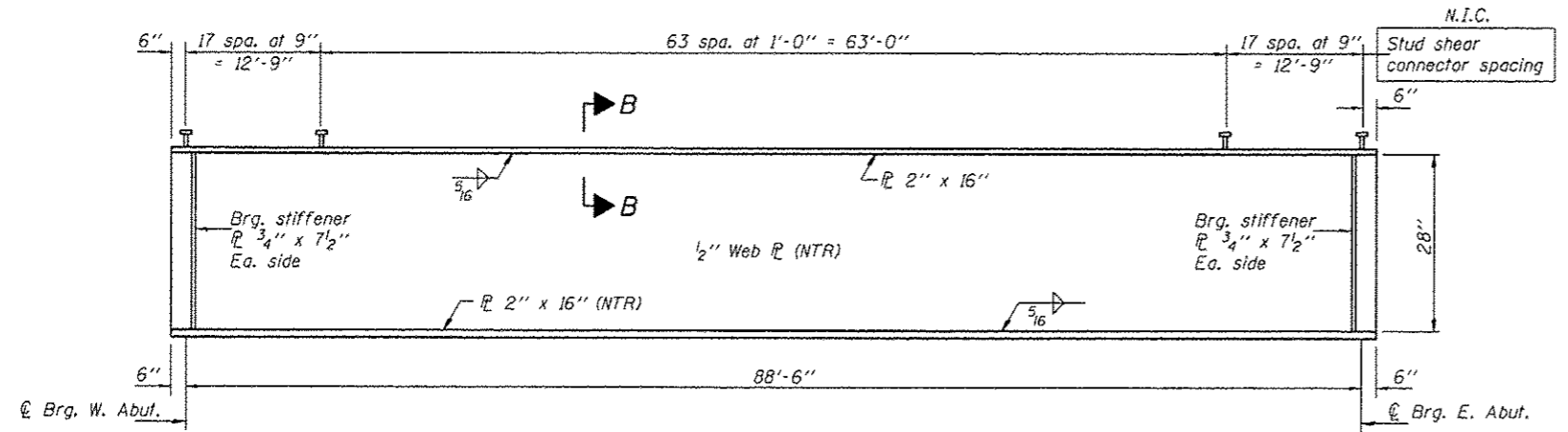
SECTION AT ABUTMENT



SECTION B-B



DIAPHRAGM D
(50 Required)



GIRDER ELEVATION

Notes: Load carrying components designated "NTR" shall conform to the Impact Testing Requirement, Zone 2. Omit connecting plates on exterior side of exterior girder. All structural steel shall be AASHTO M 270, Grade 50W. All cross frames or diaphragms shall be installed as steel is erected and secured with erection pins and bolts. Two hardened washers shall be required for all oversized holes in diaphragms. Alternate channels C15x50 are permitted to facilitate material acquisition. Calculated weight of structural steel is based on lighter section. The alternate, if utilized, shall be provided at no cost to the department.

REVISIONS SHEET 1-11-13

DESIGNED - STEPHEN M. RYAN	EXAMINED - <i>Joanna F. [Signature]</i> ACTING ENGINEER OF BRIDGE DESIGN	DATE - NOVEMBER 20, 2012	STATE OF ILLINOIS DEPARTMENT OF TRANSPORTATION	STRUCTURAL STEEL STRUCTURE NO. 081-0163	F.A.I. RTE.	SECTION	COUNTY	TOTAL SHEETS	SHEET NO.	
CHECKED - RAY AHANCHI	PASSED - <i>[Signature]</i> ACTING ENGINEER OF BRIDGES AND STRUCTURES	REVISED			5789	40 BR-F	ROCK ISLAND	15	12	
DRAWN - h.t. duong		REVISED			CONTRACT NO. 64J44					
CHECKED - S.M.R. / N.R.B. / G.R.A.					SHEET NO. 10 OF 13 SHEETS					