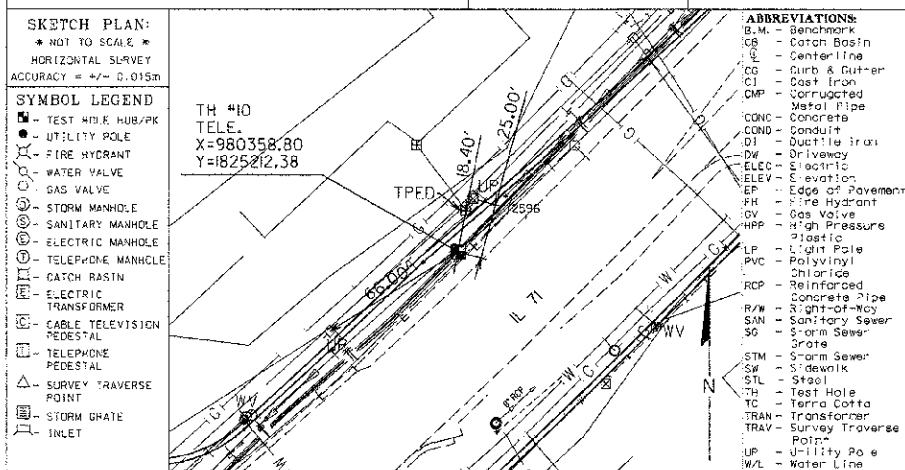


geotrack
 SUBSURFACE UTILITY ENGINEERING
 Utility Location Report for Test Hole 10 in U.S. Survey Feet.
 735 N. Harvard
 Villa Park, IL 60181
 VOICE: (630)530-7609
 FAX: (630)530-8167

Pavement: N/A in. Asphalt N/A in. Concrete
 Soil: Type CLAY Conditions HARD
 Utility: TELE Size: 4" Material: P.E. Cond: GOOD
 Was it found? YES At the requested location? YES
 Bench Mark: Name/No. BM#1 Elev. = 65.91
 As shown on sheet 7 of 10 on the plans dated 1/4/03 and called SUE DESIG. SHTS.

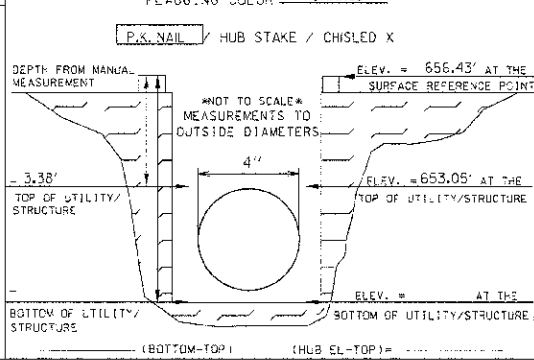
Client: IDOT
 Geotrack Job # 73812
 Truck # 121
 Contract # 93-048-01
 Project # IL 71
 Name: OSWEGO
 City: OSWEGO
 County: KENDALL
 State: ILLINOIS
 Date: 9/17/03



UTILITY OWNER: SBC
 REPRESENTATIVE:
 PHONE No.:
 FAX No.:

TEST HOLE PROFILE LOOKING NORTH EAST
 VERTICAL SURVEY ACCURACY = +/- 0.015m
 FLAGGING COLOR ORANGE

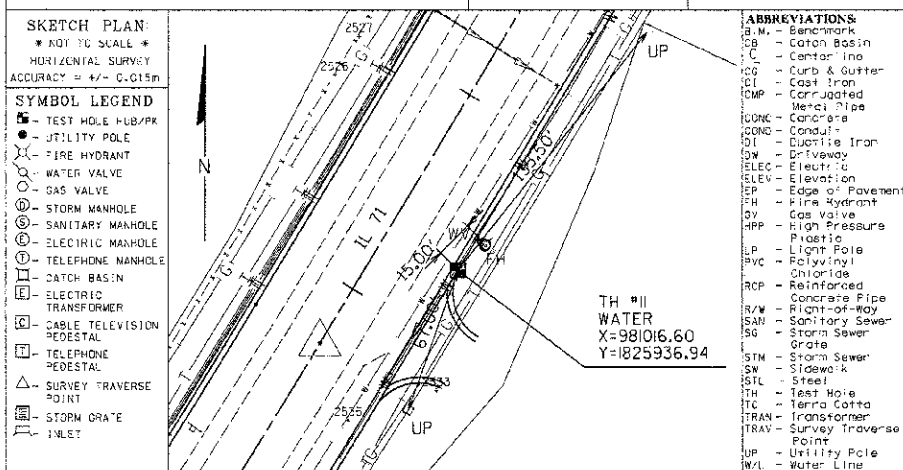
CERTIFICATION:
 I hereby certify that the information shown hereon is correct to the best of my knowledge and belief.



geotrack
 SUBSURFACE UTILITY ENGINEERING
 Utility Location Report for Test Hole 11 in U.S. Survey Feet.
 735 N. Harvard
 Villa Park, IL 60181
 VOICE: (630)530-7609
 FAX: (630)530-8167

Pavement: V/A in. Asphalt N/A in. Concrete
 Soil: Type CLAY Conditions HARD
 Utility: WATER Size: 8" Material: C.I. Cond: GOOD
 Was it found? YES At the requested location? YES
 Bench Mark: Name/No. BM#1 Elev. = 651.91
 As shown on sheet 7 of 10 on the plans dated 1/4/03 and called SUE DESIG. SHTS.

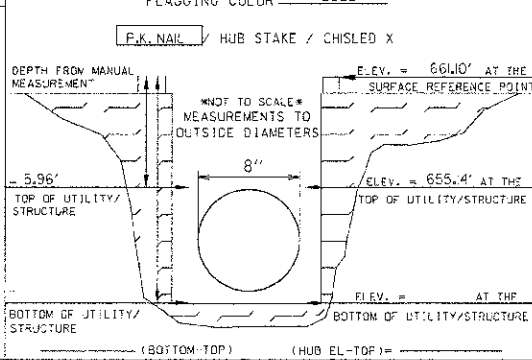
Client: IDOT
 Geotrack Job # 73812
 Truck # 121
 Contract # 93-048-01
 Project # IL 71
 Name: OSWEGO
 City: OSWEGO
 County: KENDALL
 State: ILLINOIS
 Date: 9/17/03



UTILITY OWNER: VILLAGE OF OSWEGO
 REPRESENTATIVE: JERRY HEAVER
 PHONE No.: 1-630-554-3242
 FAX No.: 1-630-551-4854

TEST HOLE PROFILE LOOKING NORTH EAST
 VERTICAL SURVEY ACCURACY = +/- 0.015m
 FLAGGING COLOR BLUE

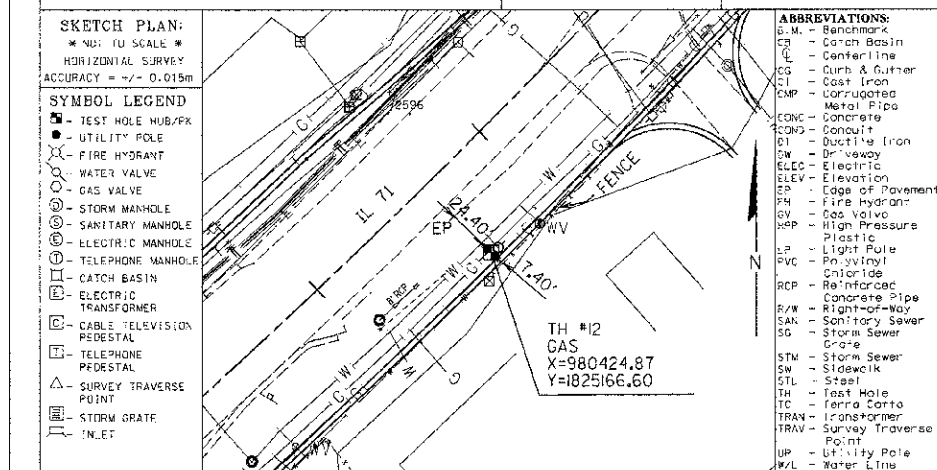
CERTIFICATION:
 I hereby certify that the information shown hereon is correct to the best of my knowledge and belief.



geotrack
 SUBSURFACE UTILITY ENGINEERING
 Utility Location Report for Test Hole 12 in U.S. Survey Feet.
 735 N. Harvard
 Villa Park, IL 60181
 VOICE: (630)530-7609
 FAX: (630)530-8167

Pavement: N/A in. Asphalt N/A in. Concrete
 Soil: Type CLAY Conditions HARD
 Utility: GAS Size: 2" Material: STL Cond: GOOD
 Was it found? YES At the requested location? YES
 Bench Mark: Name/No. BM#1 Elev. = 65.9
 As shown on sheet 7 of 10 on the plans dated 1/4/03 and called SUE DESIG. SHTS.

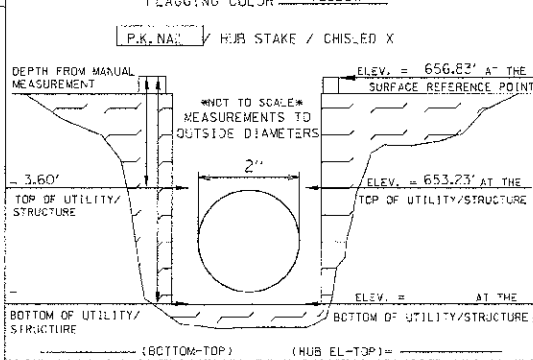
Client: IDOT
 Geotrack Job # 73812
 Truck # 121
 Contract # 93-048-01
 Project # IL 71
 Name: OSWEGO
 City: OSWEGO
 County: KENDALL
 State: ILLINOIS
 Date: 9/17/03



UTILITY OWNER: NICOR GAS
 REPRESENTATIVE: SCOTT STOGSDILL
 PHONE No.: 1-630-983-8887 X2362
 FAX No.:

TEST HOLE PROFILE LOOKING NORTH EAST
 VERTICAL SURVEY ACCURACY = +/- 0.015m
 FLAGGING COLOR YELLOW

CERTIFICATION:
 I hereby certify that the information shown hereon is correct to the best of my knowledge and belief.



REVISIONS		ILLINOIS DEPARTMENT OF TRANSPORTATION
NAME	DATE	
		S.U.E. TEST HOLE DATA SHEETS TEST HOLE NOS. 10 - 12 SCALE: VERT. _____ HORIZ. _____ DATE: 7/5/2012 DRAWN BY: SAE CHECKED BY: MED

TUG PROJ: 43180814
 PLOT DATE: 7/5/2012
 FILE NAME: p:\cadd\11\dot.dwg