

F.A.P. RTE.	SECTION	COUNTY	TOTAL SHEETS	SHEET NO.
311	(1-1)R	KENDALL	514	277
STA.		TO STA.		
FED. ROAD DIST. NO.		ILLINOIS FED. AID PROJECT		

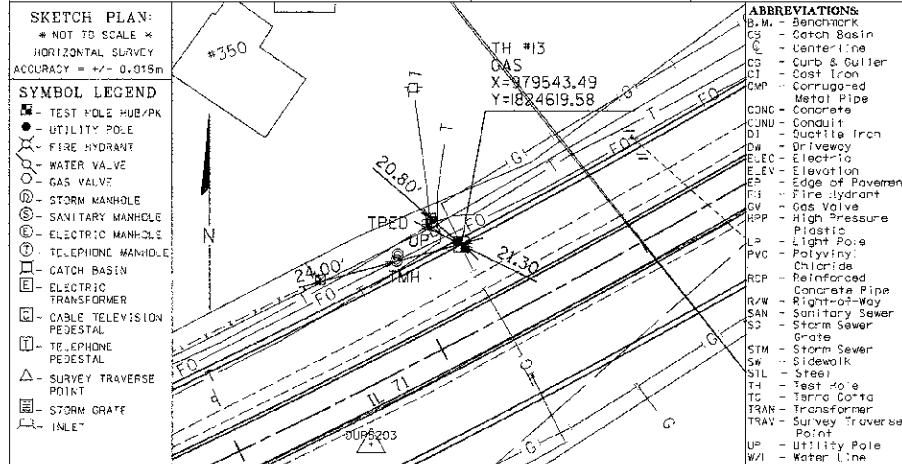
geotrack
SUBSURFACE UTILITY ENGINEERING

735 N. Harvard
Villa Park, IL 60181
VOICE: (630)530-7609
FAX: (630)530-8167

Utility Location Report for Test Hole 13 in U.S. Survey Feet.

Pavement: N/A in. Asphalt N/A in. Concrete
Soil: Type CLAY Conditions HARD
Utility: GAS Size: 8" Material: STL Cond: GOOD
Was it found? YES At the requested location? YES
Bench Mark: Name/No. BM#1 Elev. = 65.91
Bench Mark: Name/No. Elev. =
As shown on sheet 6 of 10 on the plans dated 11/4/03 and called SUE DESIG. SHTS.

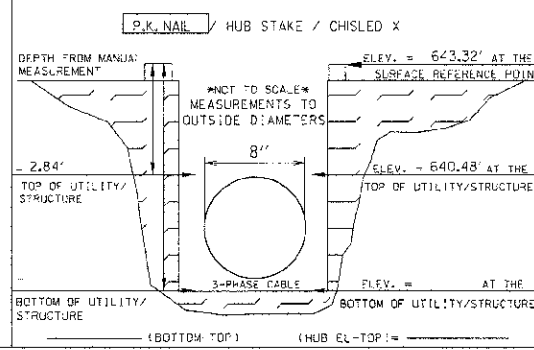
Client: IDOT Geotrack Job # 73812
Contract # 93-048-01 Truck # 121
Project # Crew Chief JC
Name: IL 71 Drawn By JC
City: OSWEGO Checked By GJL
County: KENDALL Date 9/17/03
State: ILLINOIS



UTILITY OWNER: NICOR GAS
REPRESENTATIVE: SCOTT STOGSDILL
PHONE No.: 1-630-983-8687 X2162
FAX No.:

TEST HOLE PROFILE LOOKING SOUTH

VERTICAL SURVEY ACCURACY = +/- 0.015m
FLAGGING COLOR YELLOW



CERTIFICATION:
I hereby certify that the information shown hereon is correct to the best of my knowledge and belief.

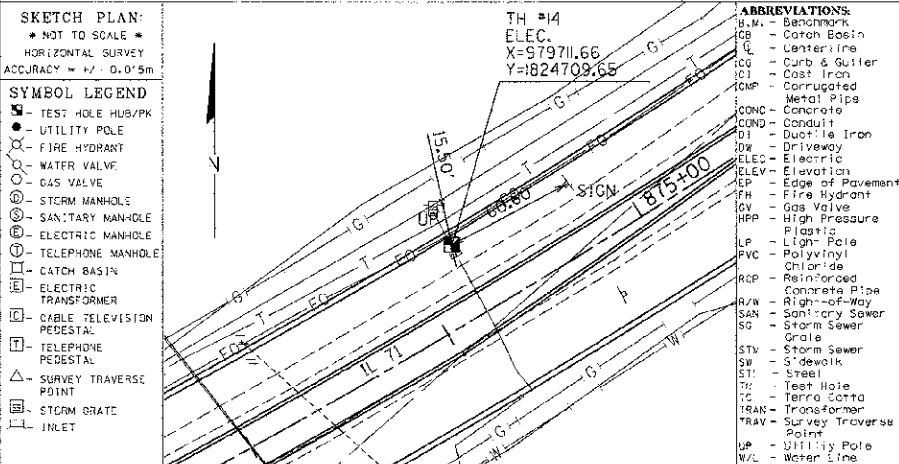
geotrack
SUBSURFACE UTILITY ENGINEERING

735 N. Harvard
Villa Park, IL 60181
VOICE: (630)530-7609
FAX: (630)530-8167

Utility Location Report for Test Hole 14 in U.S. Survey Feet.

Pavement: N/A in. Asphalt N/A in. Concrete
Soil: Type CLAY Conditions HARD
Utility: ELEC Size: (3)" Material: CABLE Cond: GOOD
Was it found? YES At the requested location? YES
Bench Mark: Name/No. BM#1 Elev. = 65.91
Bench Mark: Name/No. Elev. =
As shown on sheet 6 of 10 on the plans dated 11/4/03 and called SUE DESIG. SHTS.

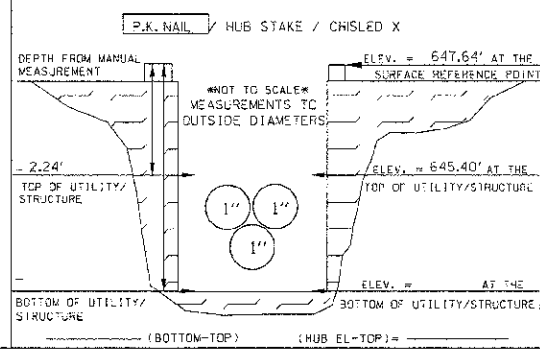
Client: IDOT Geotrack Job # 73812
Contract # 93-048-01 Truck # 121
Project # Crew Chief JC
Name: IL 71 Drawn By JC
City: OSWEGO Checked By GJL
County: KENDALL Date 9/17/03
State: ILLINOIS



UTILITY OWNER: COM-ED
REPRESENTATIVE: JERRY KUEMPEL
PHONE No.: 1-630-437-2212
FAX No.:

TEST HOLE PROFILE LOOKING SOUTH

VERTICAL SURVEY ACCURACY = +/- 0.015m
FLAGGING COLOR RED



CERTIFICATION:
I hereby certify that the information shown hereon is correct to the best of my knowledge and belief.

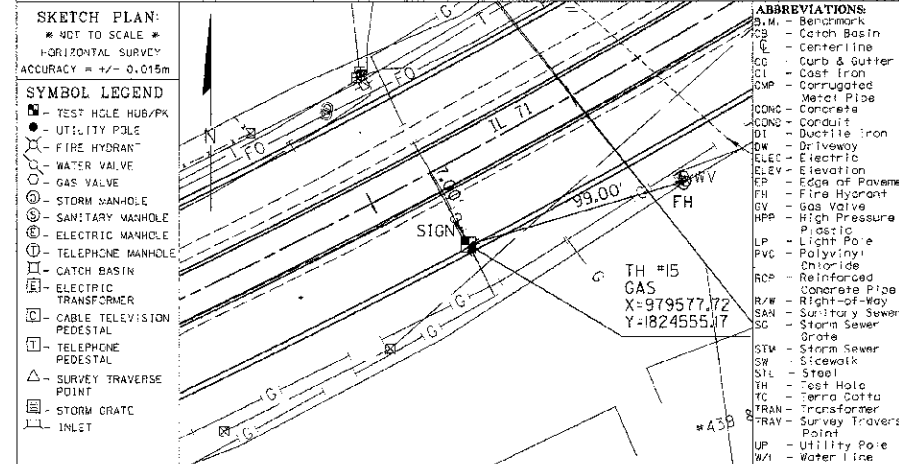
geotrack
SUBSURFACE UTILITY ENGINEERING

735 N. Harvard
Villa Park, IL 60181
VOICE: (630)530-7609
FAX: (630)530-8167

Utility Location Report for Test Hole 15 in U.S. Survey Feet.

Pavement: N/A in. Asphalt N/A in. Concrete
Soil: Type CLAY Conditions HARD
Utility: GAS Size: 8" Material: STL Cond: GOOD
Was it found? YES At the requested location? YES
Bench Mark: Name/No. BM#1 Elev. = 65.91
Bench Mark: Name/No. Elev. =
As shown on sheet 6 of 10 on the plans dated 11/4/03 and called SUE DESIG. SHTS.

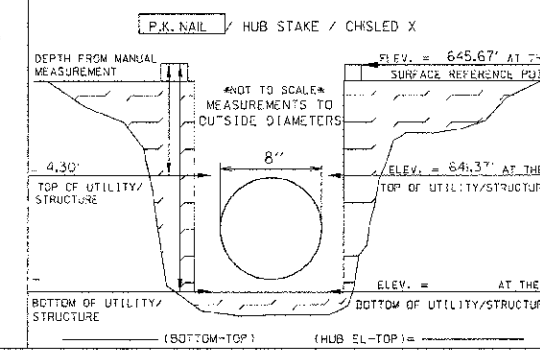
Client: IDOT Geotrack Job # 73812
Contract # 93-048-01 Truck # 121
Project # Crew Chief JC
Name: IL 71 Drawn By JC
City: OSWEGO Checked By GJL
County: KENDALL Date 9/18/03
State: ILLINOIS



UTILITY OWNER: NICOR GAS
REPRESENTATIVE: SCOTT STOGSDILL
PHONE No.: 1-630-983-8687 X2162
FAX No.:

TEST HOLE PROFILE LOOKING NORTH

VERTICAL SURVEY ACCURACY = +/- 0.015m
FLAGGING COLOR YELLOW



CERTIFICATION:
I hereby certify that the information shown hereon is correct to the best of my knowledge and belief.

REVISIONS	
NAME	DATE

ILLINOIS DEPARTMENT OF TRANSPORTATION

S.U.E. TEST HOLE DATA SHEETS

TEST HOLE NOS. 13 - 15

SCALE: VERT.
HORIZ.
DATE: 7/5/2012

DRAWN BY: SAE
CHECKED BY: MED

TUG PROJ: 2108214
PLOT DATE: 7/5/2012
FILE NAME: p:\ncv\11\1\del\dist3\com\upg\phase 1\TESTHOLE_5.dgn