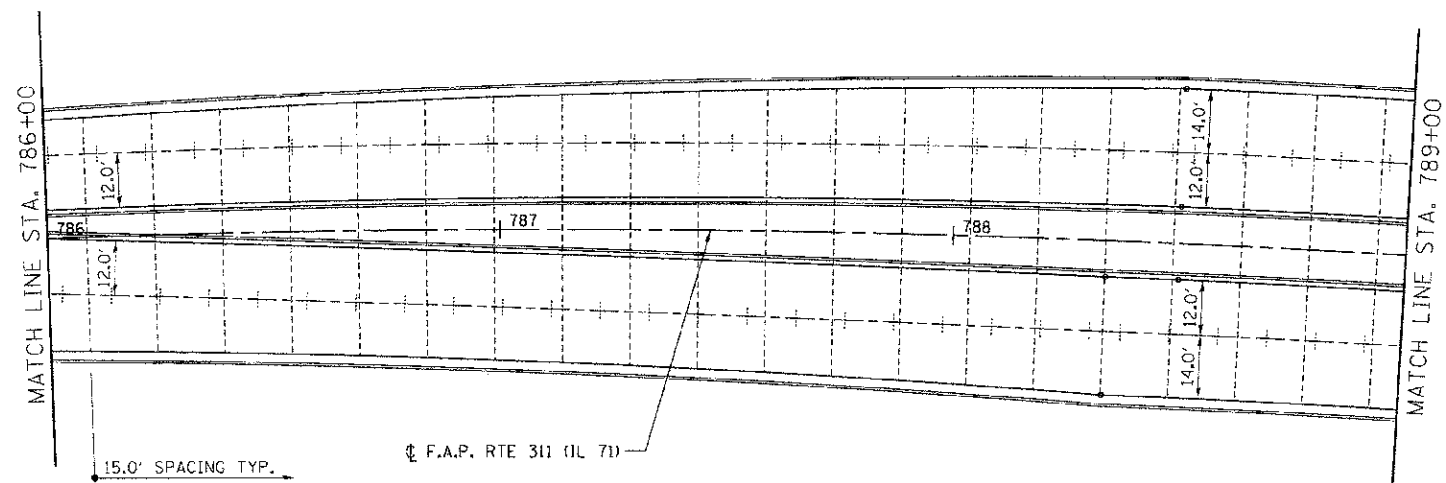
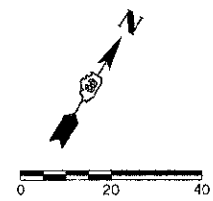
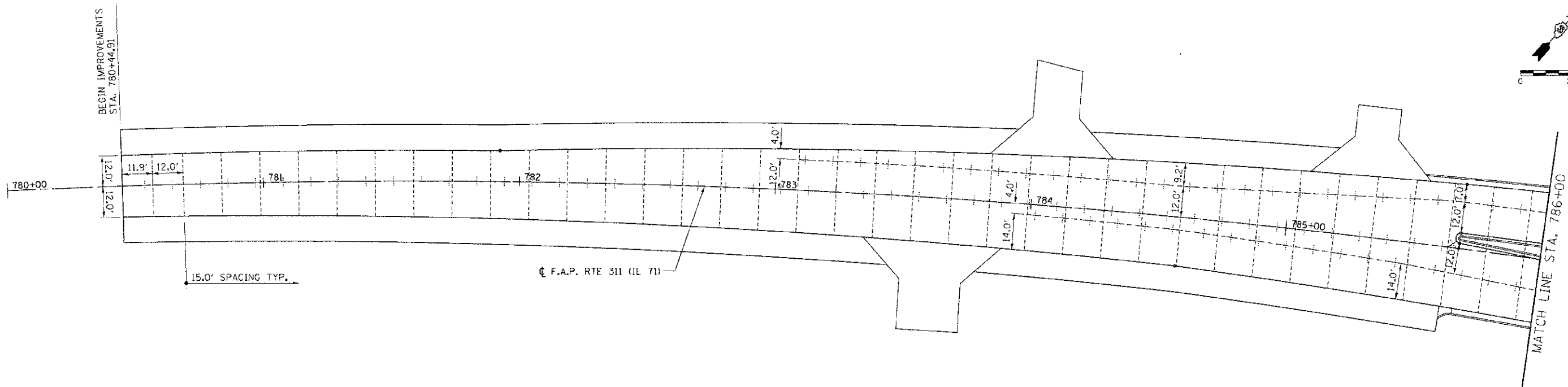
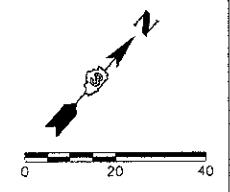


CONTRACT NO. 66420				
F.A.P. 311	SECTION (1-1)R	COUNTY KENDALL	TOTAL SHEETS 514	SHEET NO. 302
STA. 780+44.91		TO STA. 789+00		
FED. ROAD DIST. NO.		ILLINOIS FED. AID PROJECT		



LEGEND

- KEYED CONSTRUCTION JOINT
- SAWED LONGITUDINAL JOINT OR LONGITUDINAL CONSTRUCTION JOINT
- TRANSVERSE SAWED CONTRACTION JOINT

REVISIONS	
NAME	DATE

ILLINOIS DEPARTMENT OF TRANSPORTATION
PAVEMENT JOINT LAYOUT
IL RTE 71
STA 780+44.91 TO STA 789+00
 SCALE: VERT. 1"=20'
 HORIZ. 1"=20'
 DATE: 7/5/2012
 DRAWN BY: SAC
 CHECKED BY: MED

TUG PROJ: 3105914
 PLOT DATE: 7/5/2012
 FILE NAME: p:\civil\1\edat.dwg\3\paveme\phase 11\pmt-jt-01.dwg