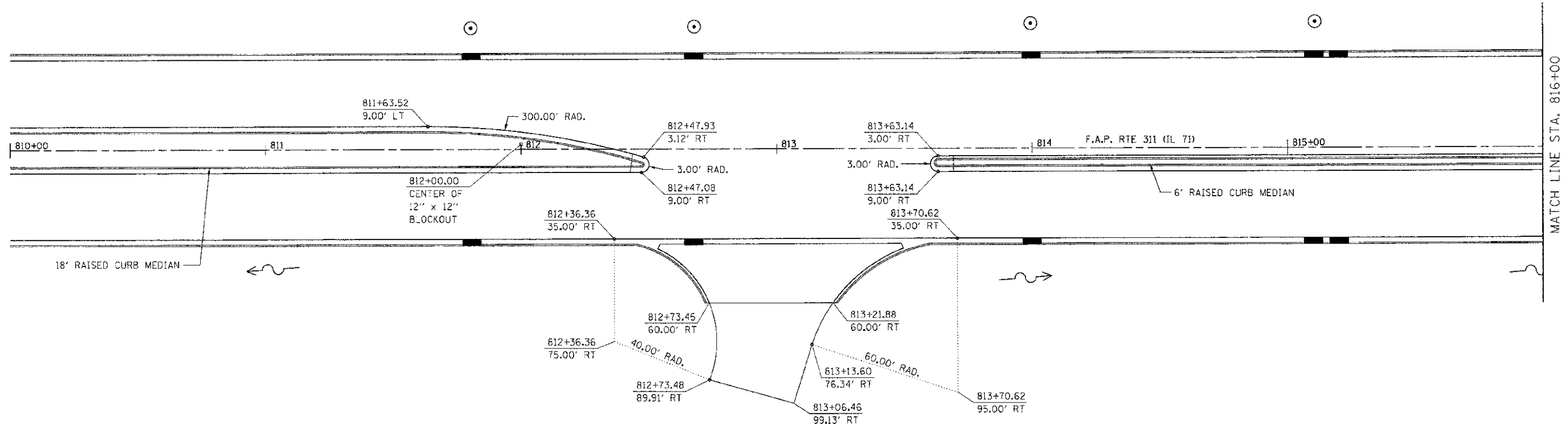
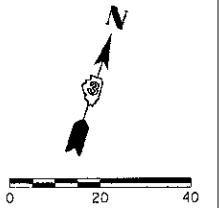


F.A.P. RTE.	SECTION	COUNTY	TOTAL SHEETS	SHEET NO.
311	11-11R	KENDALL	514	325
STA. 810+00		TO STA. 816+00		
FED. ROAD DIST. NO.	ILLINOIS	FED. AID PROJECT		



NOTES:

- FOR ADDITIONAL DETAILS, SEE JOINTING PLANS, SIGNING AND STRIPING PLANS, AND TRAFFIC SIGNAL PLANS.

REVISIONS	
NAME	DATE

ILLINOIS DEPARTMENT OF TRANSPORTATION
INTERSECTION DETAIL
COMMERCIAL ENTRANCE
STA. 810 + 00 TO STA. 816 + 00

SCALE: VERT. 1"=20'
 HORIZ. 1"=20'
 DATE 7/5/2012

DRAWN BY SAE
 CHECKED BY MED

TUG PREL. *3105414
 PLOT DATE = 7/5/2012
 FILE NAME = p:\xv\11\ddot{ot}.dwt\ch2\oswego\phase 11\intc-trchard-2012.dgn