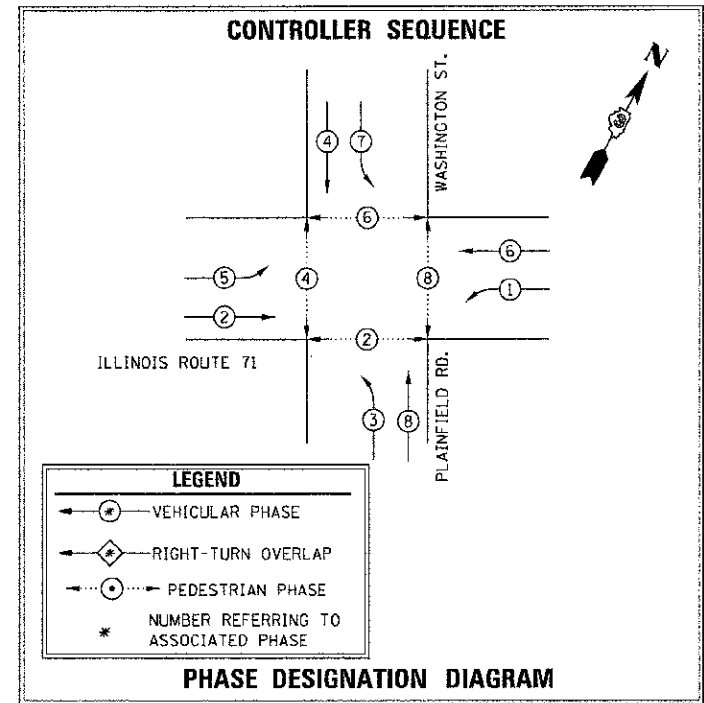
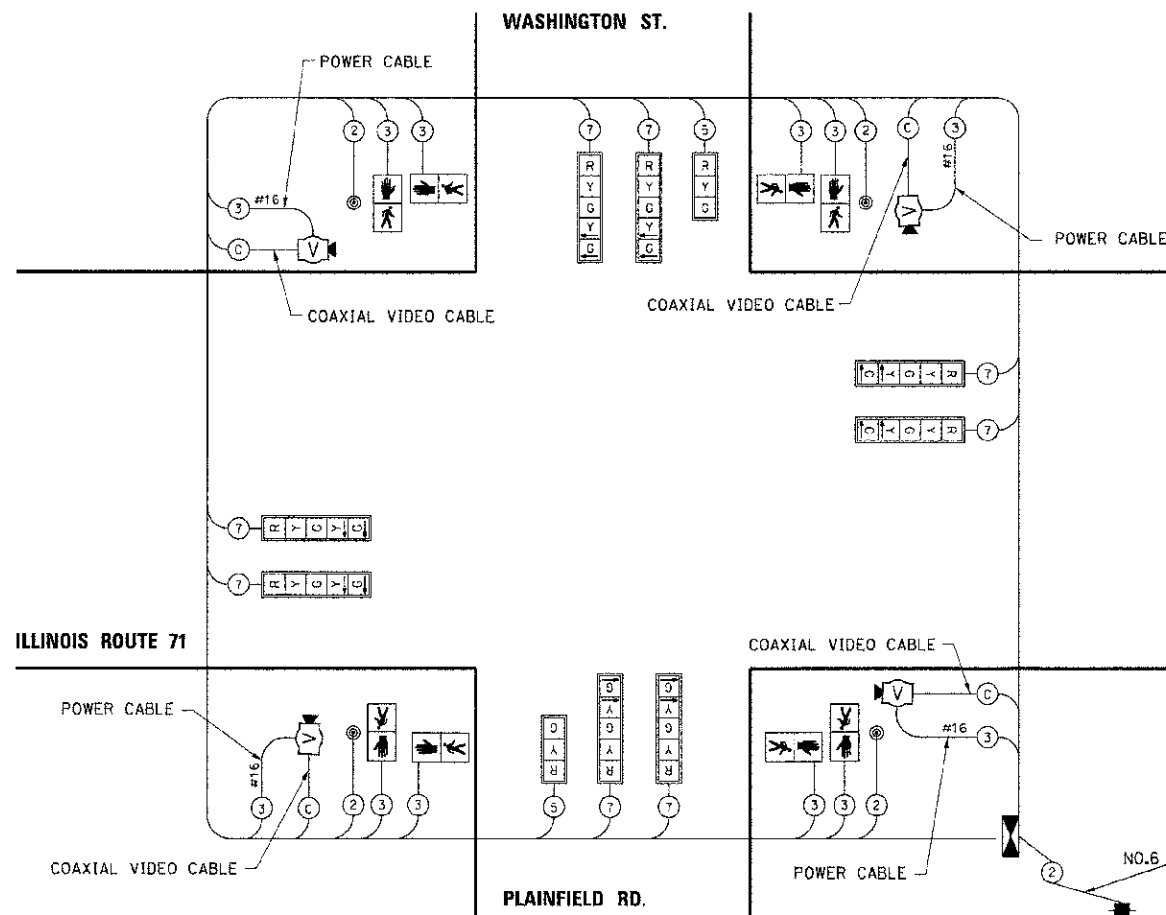
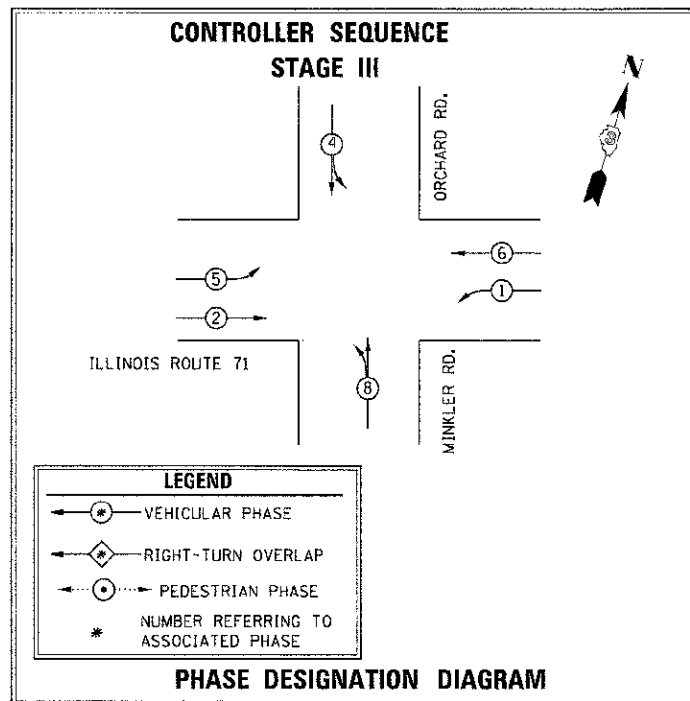


F.A.P. RTE. 1	SECTION	COUNTY	TOTAL SHEETS	SHEET NO.
311	(1-1)R	KENDALL	514	381
STA.	TO STA.			
FED. ROAD DIST. NO.	ILLINOIS	FED. AID PROJECT		

**TEMPORARY CABLE DIAGRAM LEGEND**

- TEMPORARY 12" TRAFFIC SIGNAL SECTION
- TEMPORARY CONTROLLER CABINET
- TEMPORARY SERVICE INSTALLATION
- TEMPORARY SIGNAL HEAD, PEDESTRIAN
- DENOTES NUMBER OF CONDUCTORS. ALL CABLE NO. 14 EXCEPT AS INDICATED
- TEMPORARY PEDESTRIAN PUSH-BUTTON DETECTOR
- TEMPORARY VIDEO DETECTION CAMERA



**NOTE:**

- 1) DURING MAINTENANCE OF TRAFFIC STAGES THAT DO NOT REQUIRE A PROTECTED LEFT TURN PHASE, THE ASSOCIATED LEFT TURN ARROW SECTIONS SHALL BE DISABLED AND APPROPRIATELY BAGGED.
- 2) THE TEMPORARY PEDESTRIAN TRAFFIC SIGNALS CONTROLLING PEDESTRIAN MOVEMENT CROSSING THE SCHOOL ENTRANCES SHALL BE PRE-TIMED.
- 3) BAG PEDESTRIAN HEADS DURING STAGES IN WHICH NO SIDEWALK TRAFFIC IS ALLOWED.
- 4) SPLIT PHASE TIMING ON SIDE ROADS YELLOW ARROW TIME SHALL BE THE SAME TIME AS THE YELLOW BALL TIME.

**TEMPORARY TRAFFIC SIGNAL INSTALLATION**

DESCRIPTION	QUANTITY	UNITS
WOOD POLES, CLASS 5, 45' W/ GUY WIRE AND ANCHORS	4	EACH
ELECTRIC CABLE, AERIAL SUSPENDED SIGNAL NO. 14, 2C, WITH SPAN WIRE & TETHER	778	FOOT
ELECTRIC CABLE, AERIAL SUSPENDED SIGNAL NO. 14, 3C, WITH SPAN WIRE & TETHER	1556	FOOT
ELECTRIC CABLE, AERIAL SUSPENDED SIGNAL NO. 14, 5C, WITH SPAN WIRE & TETHER	1500	FOOT
ELECTRIC CABLE, AERIAL SUSPENDED SIGNAL NO. 14, 7C, WITH SPAN WIRE & TETHER	2092	FOOT
ELECTRIC CABLE, AERIAL SUSPENDED SIGNAL NO. 2, 1/C, WITH SPAN WIRE & TETHER	100	FOOT
TEMPORARY TRAFFIC SIGNAL CONTROLLER	1	EACH
SIGNAL HEAD, 1 FACE, 3 SECTION, 12" LENSES	2	EACH
SIGNAL HEAD, 1 FACE, 5 SECTION, 12" LENSES	8	EACH
PEDESTRIAN SIGNAL HEAD, 2 FACE	8	EACH
PEDESTRIAN PUSH-BUTTON	4	EACH
ELECTRIC CABLE, AERIAL SUSPENDED SIGNAL NO. 6, 1/C WITH SPAN WIRE & TETHER	100	FOOT
TEMPORARY VIDEO DETECTION SYSTEM	1	EACH
400 W HPS COBRAHEAD LUMINARIES MOUNTED TO MAST ARMS ON TEMP. POLES CLOSEST TO INTERSECTION	4	EACH

**TEMPORARY VIDEO DETECTION SYSTEM BILL OF MATERIALS**

DESCRIPTION	QUANTITY	UNITS
MACHINE VISION PROCESSOR	1	EACH
AUTOSCOPE IMAGE SENSOR	4	EACH
VIDEO ELECTRIC CABLE IN CONDUIT, NO. 16 3/C	778	FOOT
VIDEO BELDEN B281 COAXIAL CABLE IN CONDUIT	778	FOOT
15 FT MAST ARM MOUNTED TO TEMP. WOOD POLES FOR CONNECTION OF VIDEO CAMERA	4	EACH

PLOT DATE = 7/9/2012  
 FILE NAME = \\s01s01\project\66420\phase 1\vdg16.11.71.kishr.pln.trf8.dgn  
 PLOT SCALE = 20:1000 1/4"

REVISIONS		ILLINOIS DEPARTMENT OF TRANSPORTATION <b>TEMPORARY TRAFFIC SIGNAL CABLE PLAN IL RTE 71 WASHINGTON/PLAINFIELD</b>
NAME	DATE	
		SCALE: N.T.S. DATE: 7/9/2012 DRAWN BY NMR CHECKED BY DJL