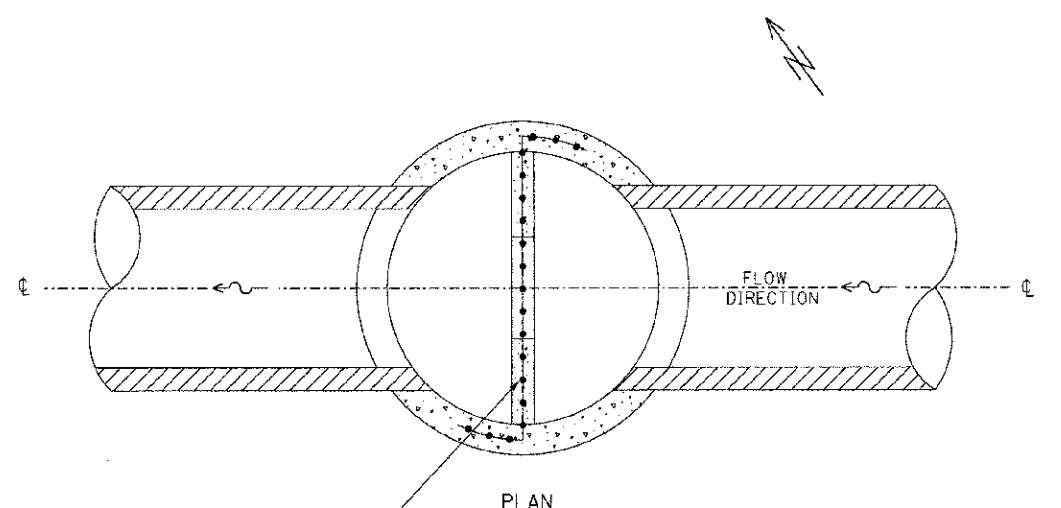


F.A.P. RTE.	SECTION	COUNTY	TOTAL SHEETS	SHEET NO.
511	(1-1)R	KENDALL	514	426
S1A. TO STA.				
FED. ROAD DIST. NO. ILLINOIS FED. AID PROJECT				

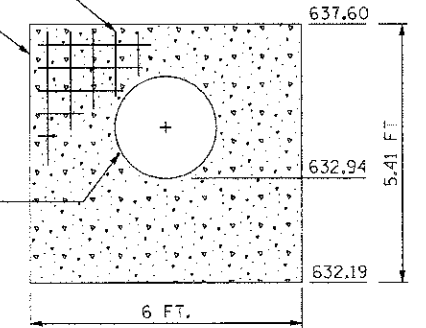


PLAN

WWF WEIR SAME AS PRECAST MH REINF.

CAST IN PLACE CONCRETE WALL

30.0" DIA. OPENING



RESTRICTOR

WWF WEIR SAME AS PRECAST MH REINF.

IDOT TYPE 1 GRATE, CL

RIM 639.55 RIM 639.55

MANHOLE, TYPE A, 6' DIA. (SPECIAL) SEE DETAIL SHEET 428

42" RCP

FLOW DIRECTION

632.94  
9" SUMP  
632.94

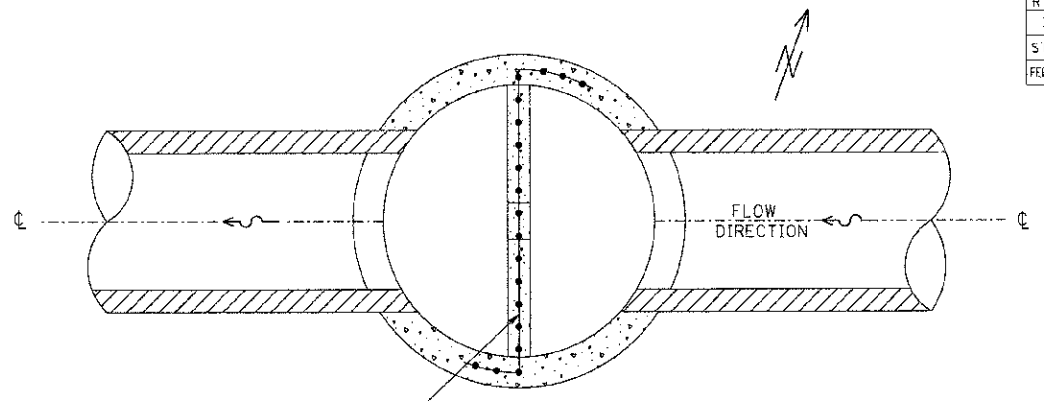
632.19

ELEVATION

CONTROL STRUCTURE, 6 FT. DIA. (SPECIAL)

NOT TO SCALE

11-22-CS6  
OUTLET 11  
STA. 864+89.32

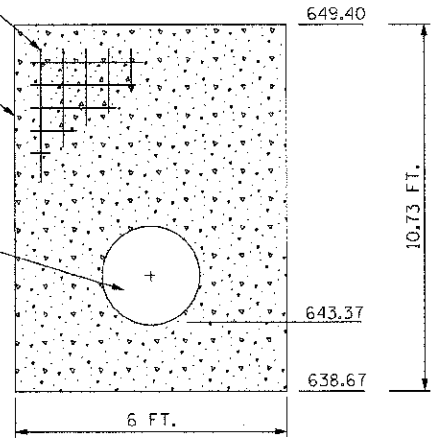


PLAN

WWF WEIR SAME AS PRECAST MH REINF.

CAST IN PLACE CONCRETE WALL

23.5" DIA. OPENING



RESTRICTOR

WWF WEIR SAME AS PRECAST MH REINF.

IDOT TYPE 1 GRATE, CL

RIM 653.30 RIM 653.30

MANHOLE, TYPE A, 6' DIA. (SPECIAL) SEE DETAIL SHEET 428

42" RCP

FLOW DIRECTION

639.42  
9" SUMP  
641.65

638.67

ELEVATION

CONTROL STRUCTURE, 6 FT. DIA. (SPECIAL)

NOT TO SCALE

11-47-CS6  
OUTLET 11  
STA. 876+94.15

REVISIONS	
NAME	DATE

ILLINOIS DEPARTMENT OF TRANSPORTATION

**STORMWATER CONTROL STRUCTURES**

SCALE: VERT. HORIZ. DATE 7/5/2012

DRAWN BY LP CHECKED BY MED

P:\PROJECTS\11-22-CS6\11-22-CS6.dwg  
 FILE NAME = P:\PROJECTS\11-22-CS6\11-22-CS6.dwg  
 PLOT FILE = P:\PROJECTS\11-22-CS6\11-22-CS6.dwg