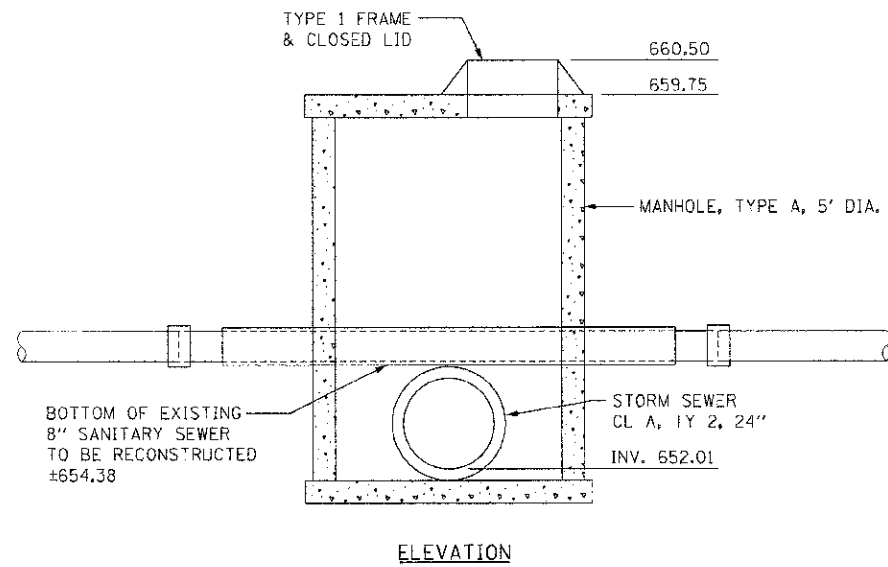
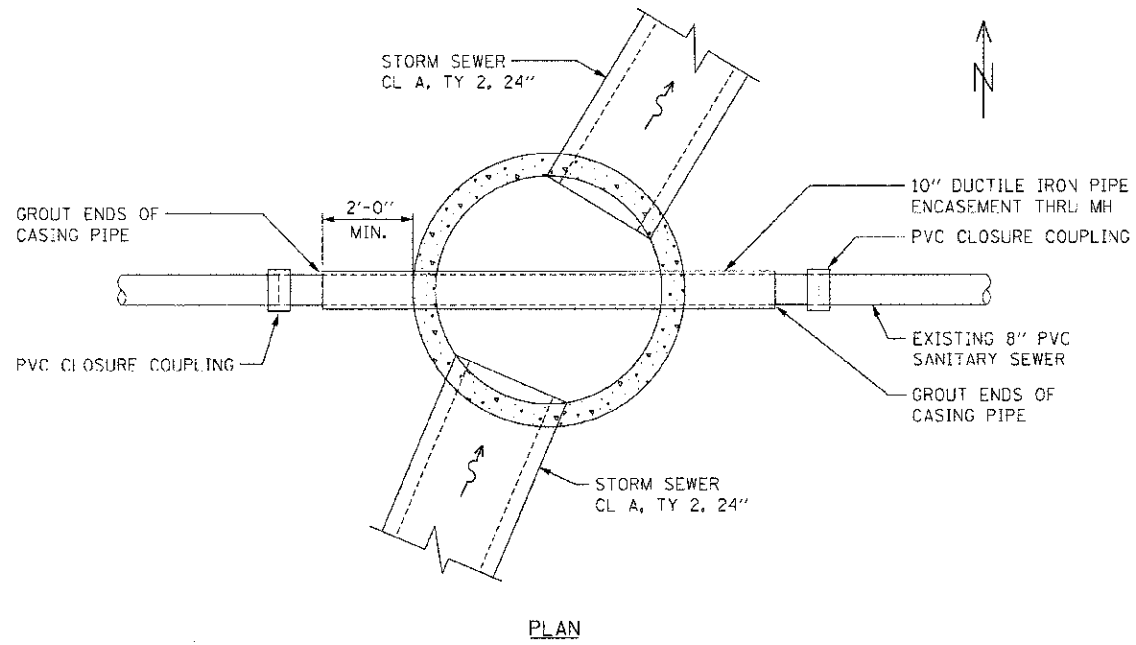


F.A.P. RTE.	SECTION	COUNTY	TOTAL SHEETS	SHEET NO.
311	01-11R	KENDALL	514	431
STA.		TO STA.		
FED. ROAD DIST. NO.	ILLINOIS	FED. AID PROJECT		



CONFLICT MANHOLE DETAIL  
STA. 918+81.98, 36.69' RT.

REVISIONS	
NAME	DATE

ILLINOIS DEPARTMENT OF TRANSPORTATION

**CONFLICT MANHOLE**

SCALE: VERT.  
HORIZ.  
DATE 7/5/2012

DRAWN BY L.P.  
CHECKED BY MED

T:\CADD\11\11007\11007.DIST\11007\Phase 1\INDET.CONFLICT.MH.dgn  
 PLOT DATE = 7/5/2012  
 FILE NAME = P:\CADD\11\11007\11007.DIST\11007\Phase 1\INDET.CONFLICT.MH.dgn