

PROPOSED LEGEND

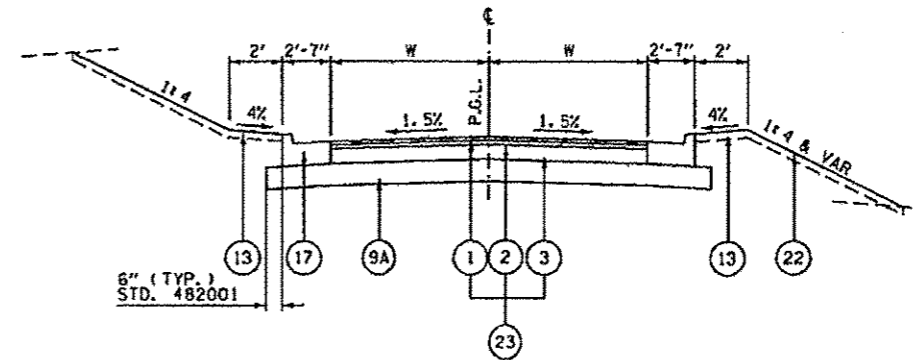
- 1 POLYMERIZED HOT-MIX ASPHALT SURFACE COURSE, MIX D, N70 2"
- 2 POLYMERIZED HOT-MIX ASPHALT BINDER COURSE, IL-19.8, N70 2.25"
- 3 HOT-MIX ASPHALT BINDER COURSE, IL-19.0, N50 8"
- 5 BITUMINOUS MATERIALS (COVER AND SEAL COATS), A3
- ** 9A SUB-BASE GRANULAR MATERIAL, TYPE A, 12"
- ** 9B LIME MODIFIED SOIL 12"
- 12 AGGREGATE SHOULDERS, TYPE B, 8"
- 13 EARTHEN SHOULDER
- *** 17 CONCRETE CURB & GUTTER, TYPE B-6.24
- 22 4" TOPSOIL PLACEMENT
- * 23 HMA PAVEMENT (FULL DEPTH), 12.25"

LEGEND NOTES:

* ITEMS 1, 2, & 3 WILL BE PAID FOR AT THE CONTRACT UNIT PRICE PER SQUARE YARD FOR HMA PAVEMENT (FULL-DEPTH), 12.25"

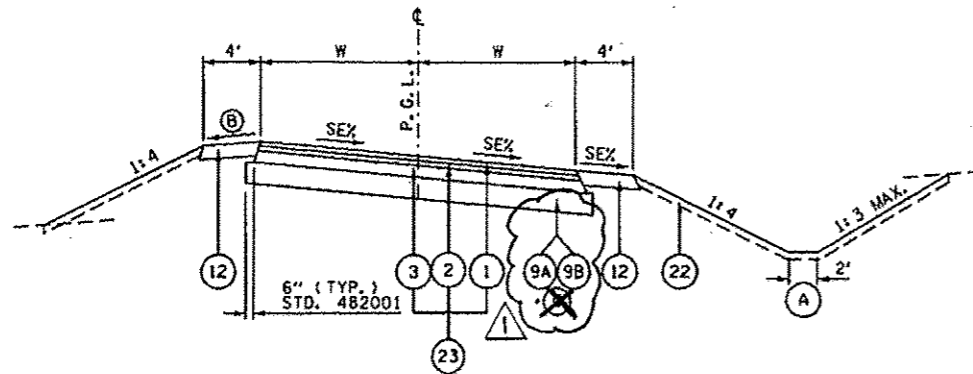
*** SUB-BASE GRANULAR MATERIAL IS REQUIRED AT:
STA 58+00.00 TO STA 71+02.50 (TR 150)
~~CONTRACTOR OPTION FOR SUBGRADE IMPROVEMENT METHOD AT ALL OTHER LOCATIONS.~~

*** TYPE B-6.24 GUTTER SHALL BE THICKNESS OF PAVEMENT



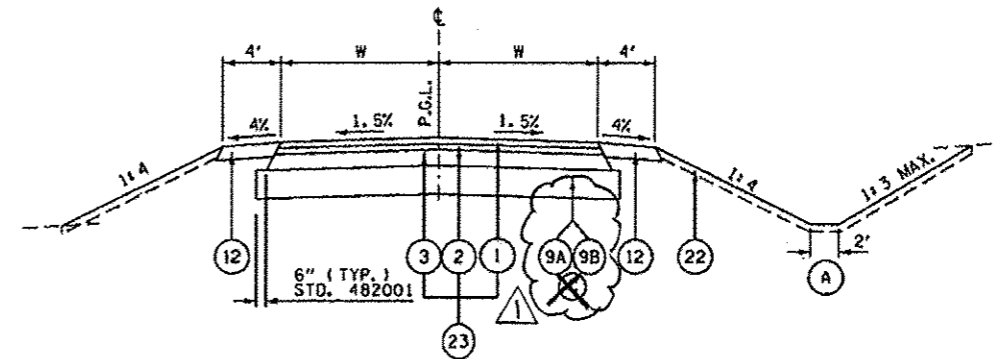
TOWNSHIP ROAD - TANGENT SECTION (HMA) CURB

TR 150 (1700 E) W = 13'
STA 66+50.00 TO STA 66+98.73 LT
STA 66+98.73 TO STA 71+02.50



TOWNSHIP ROAD - SUPERELEVATED SECTION (HMA)

BOGUS HOLLOW ROAD (1350 E) W = 12'
STA 5+70.00 TO 8+23.67
TR 150 (1700 E) W = 12'
STA 51+41.52 TO STA 56+90.36



TOWNSHIP ROAD - TANGENT SECTION (HMA)

TR 94 (1400 E) W = 12'
STA 51+29.37 TO STA 54+30.12
TR 150 (1700 E) W = 12'
STA 56+90.36 TO STA 66+50.00
STA 66+50.00 TO STA 66+98.73 RT
TR 178 (1800 E) W = 12'
STA 51+41.52 TO STA 53+75.62

NOTES:

(A) STANDARD DITCH DEPTH 3.00 FT. BELOW OUTER EDGE OF SHOULDER & VARIES. SEE CROSS SECTIONS

(B) MAXIMUM SHOULDER ROLLOVER IS 8%

(C) ~~CONTRACTOR OPTION FOR SUBGRADE IMPROVEMENT METHOD EXCEPT WHERE NOTED.~~

REVISI 1-8-13

FILE NAME * 0468469-SHT-11-TYP-8106R01-10-4.dgn	USER NAME * zsohl	DESIGNED - DBS	REVISED -	STATE OF ILLINOIS DEPARTMENT OF TRANSPORTATION	TYPICAL SECTIONS TOWNSHIP & LOCAL ROADS - HOT-MIX ASPHALT			F.A.P. RTE. 313	SECTION 7-2 1 6-1	COUNTY HENDERSON	TOTAL SHEETS 976	SHEET NO. 91
	PLOT SCALE * 1/8" = 1'-0"	DRAWN - PSBA	REVISED -		SCALE: N.A.	SHEET NO. 11 OF 18 SHEETS	STA.	TO STA.	CONTRACT NO. 68409			
	PLOT DATE * 10/16/2012	CHECKED - CSB	REVISED -		ILLINOIS FED. AID PROJECT							
		DATE - 10/2012	REVISED -									