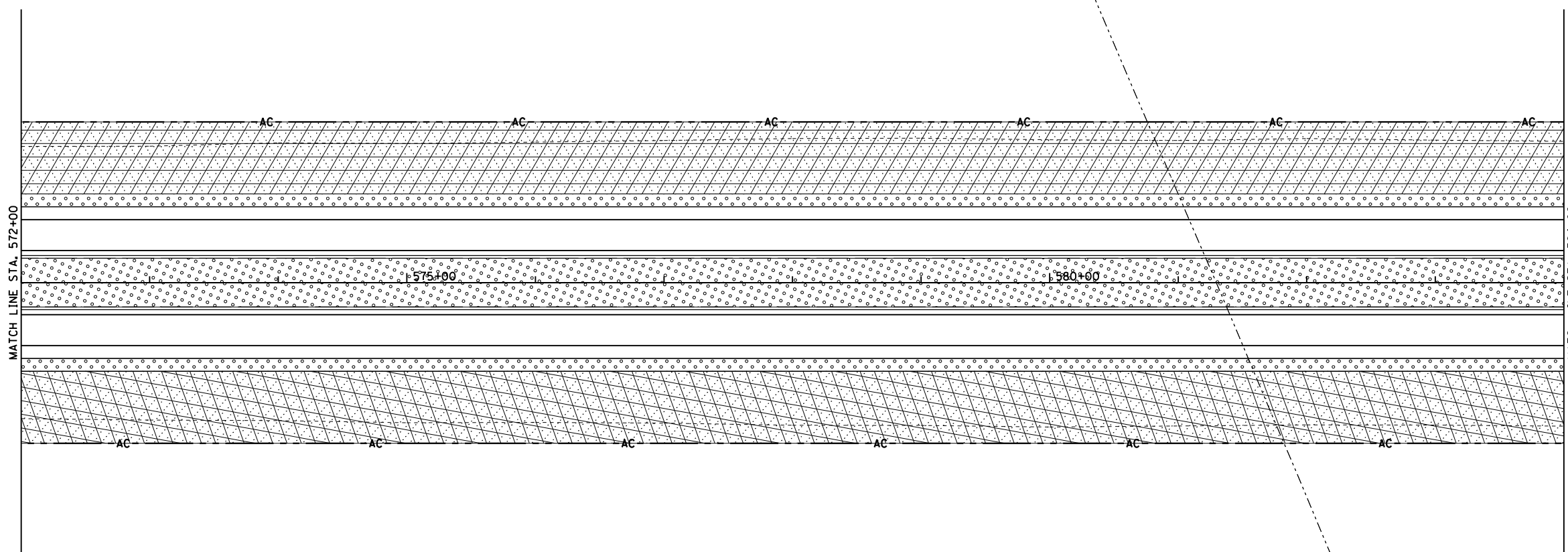
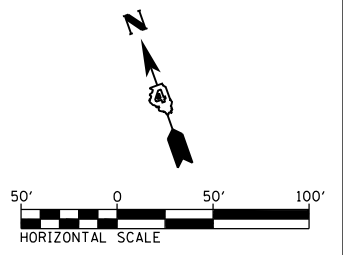


- LEGEND**
- SEEDING CLASS 1A
 - SEEDING CLASS 2A
 - SEEDING CLASS 4A & 5A COMBINED
 - PR SHADE TREE
 - PR EVERGREEN TREE
 - SHRUBS



FILE NAME = D468409-SHT-03-LNDCP-US34-03.dgn	USER NAME = zachl	DESIGNED - DBS	REVISED -
		DRAWN - PSBA	REVISED -
		CHECKED - CSB	REVISED -
		DATE - 10/2012	REVISED -

**STATE OF ILLINOIS
DEPARTMENT OF TRANSPORTATION**

**LANDSCAPING PLAN
US ROUTE 34**

SCALE: 1" = 50' SHEET NO. 3 OF 27 SHEETS STA. 560+00 TO STA. 584+00

F.A.P. RTE. 313	SECTION 7-2 ; 6-1	COUNTY HENDERSON	TOTAL SHEETS 976	SHEET NO. 423
CONTRACT NO. 68409				
ILLINOIS FED. AID PROJECT				