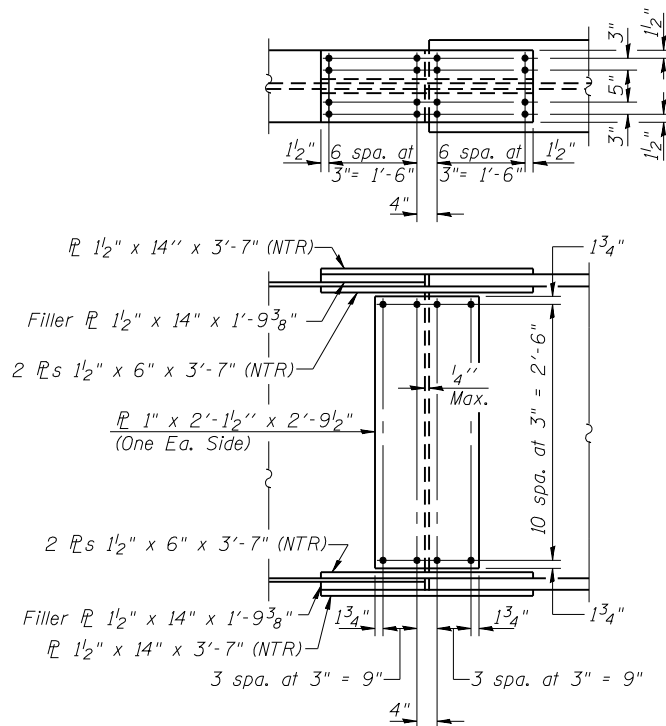
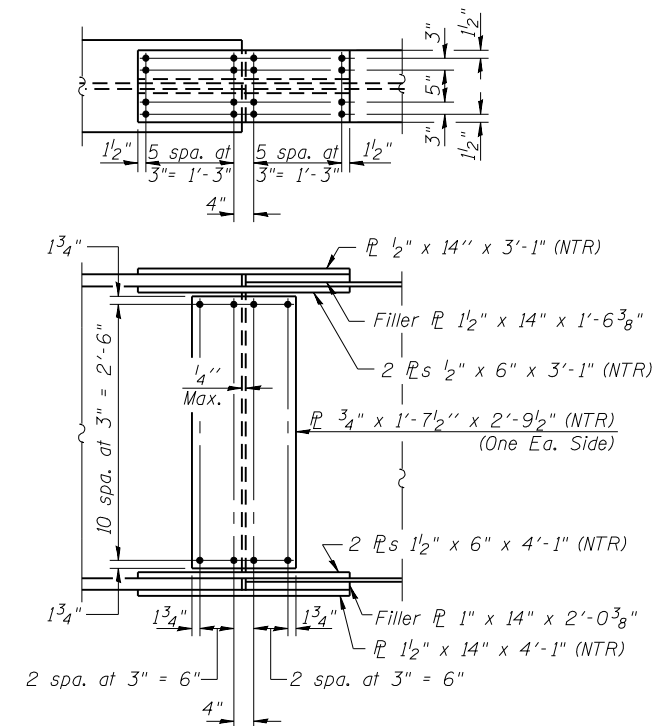


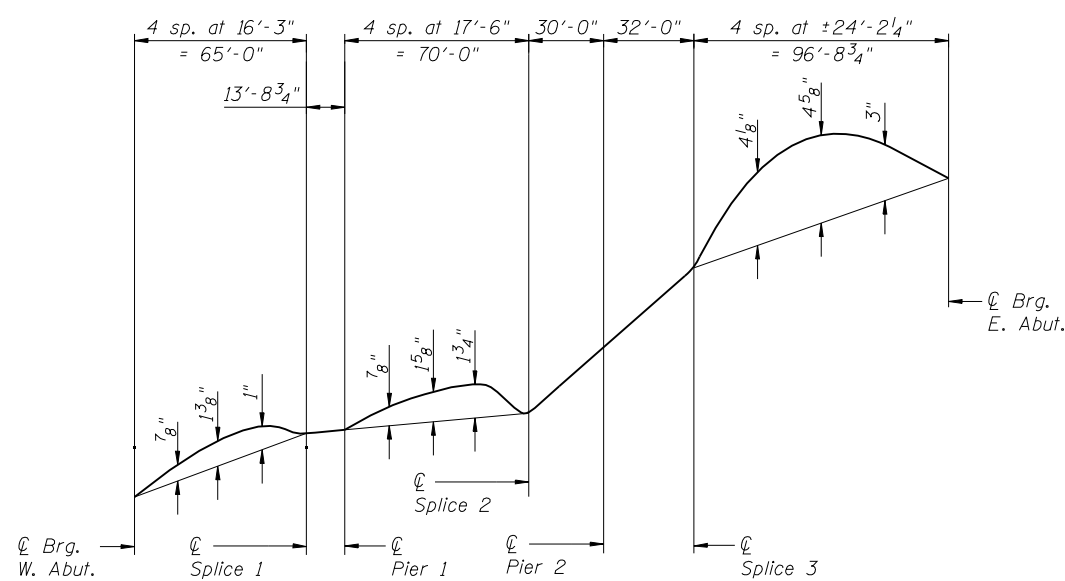
**FIELD SPLICE 1**



**FIELD SPLICE 2**



**FIELD SPLICE 3**



**CAMBER DIAGRAM**

Notes:  
 Splice plates designated "NTR" shall conform to the Impact Testing Requirement, Zone 2.  
 For splice plate connections use 7/8"  $\phi$  bolts in 15/16"  $\phi$  holes.

FILE NAME = 036-062-78134-028-struct.st.dwt.splicendgn  
 CB PROJECT NO. 04065

**Coombe-Bloxdorf P.C.**  
 CIVIL ENGINEERS-  
 STRUCTURAL ENGINEERS-  
 LAND SURVEYORS  
 Design Firm License No. 184-002703

USER NAME = .MML.  
 PLOT SCALE = 0.1667' / IN.  
 PLOT DATE = 10/16/2012

DESIGNED - CME  
 CHECKED - MCB  
 DRAWN - MML  
 CHECKED - MCB

REVISED -  
 REVISED -  
 REVISED -  
 REVISED -

**STATE OF ILLINOIS  
 DEPARTMENT OF TRANSPORTATION**

**STRUCTURAL STEEL  
 STRUCTURE NO. 036-0062 (E.B.) & 036-0063 (W.B.)**

SHEET NO. 28 OF 45 SHEETS

F.A.P. RTE.	SECTION	COUNTY	TOTAL SHEETS	SHEET NO.
313	7-2, 6-1	HENDERSON	976	481
CONTRACT NO. 68409				
ILLINOIS FED. AID PROJECT				