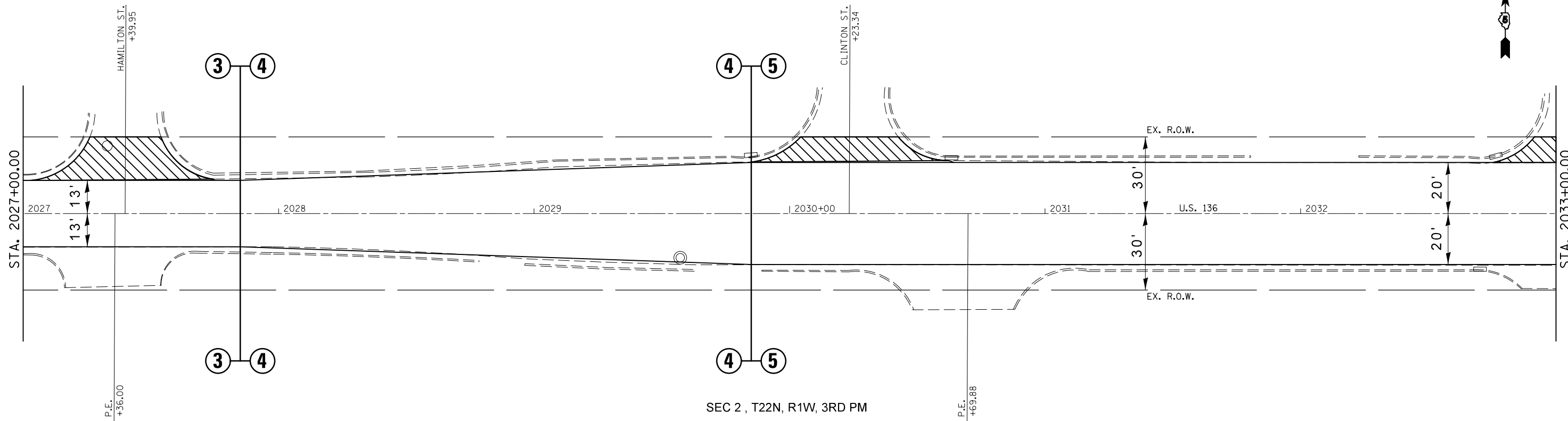


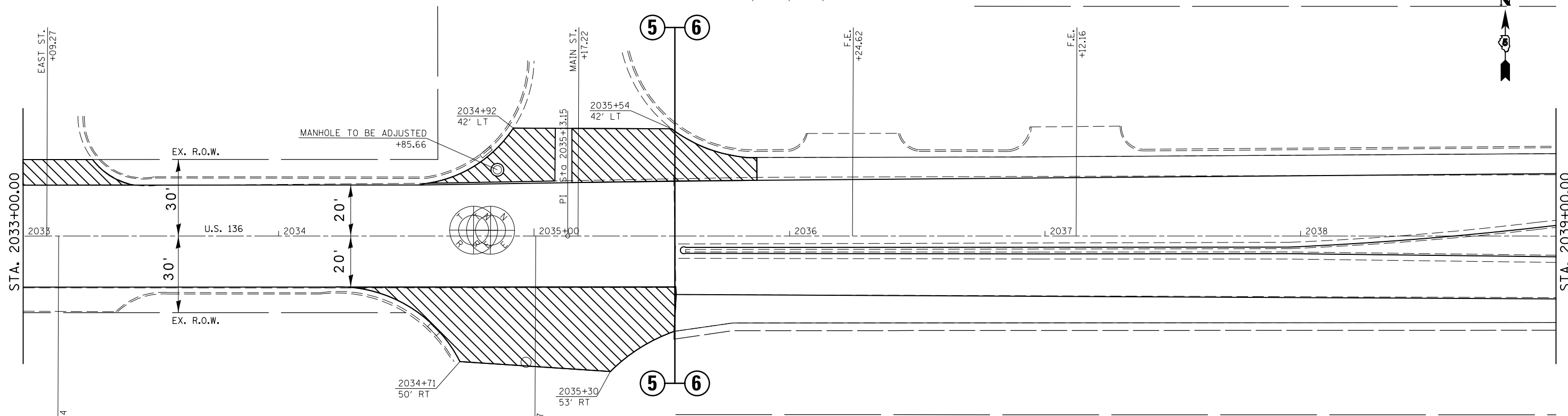
SEC 35 , T22N, R1W, 3RD PM



SEC 2 , T22N, R1W, 3RD PM

INCIDENTAL HOT-MIX ASPHALT SURFACING

SEC 36 , T22N, R1W, 3RD PM



SEC 1 , T22N, R1W, 3RD PM

INCIDENTAL HOT-MIX ASPHALT SURFACING

FILE NAME =	USER NAME = ogleb.j	DESIGNED -	REVISED -
ei:\pwork\pwork\ogleb.j\0244982\0570783-sh1-DblPln_20.dgn		DRAWN -	REVISED -
	PLOT SCALE = 40.0000' / in.	CHECKED -	REVISED -
	PLOT DATE = 10/9/2012	DATE -	REVISED -

STATE OF ILLINOIS
DEPARTMENT OF TRANSPORTATION

Plan Sheet			
SCALE:	SHEET NO.	OF SHEETS	STA. TO STA.

F.A.P. RTE.	SECTION	COUNTY	TOTAL SHEETS	SHEET NO.
315	119RS-4,18RS&(57-10)RS	McLean	225	37
CONTRACT NO. 70783				

ILLINOIS FED. AID PROJECT