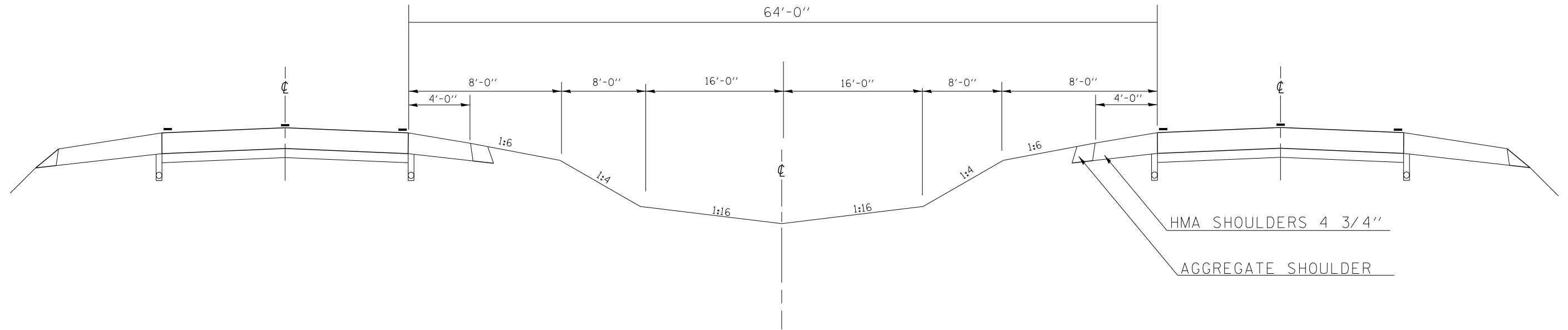


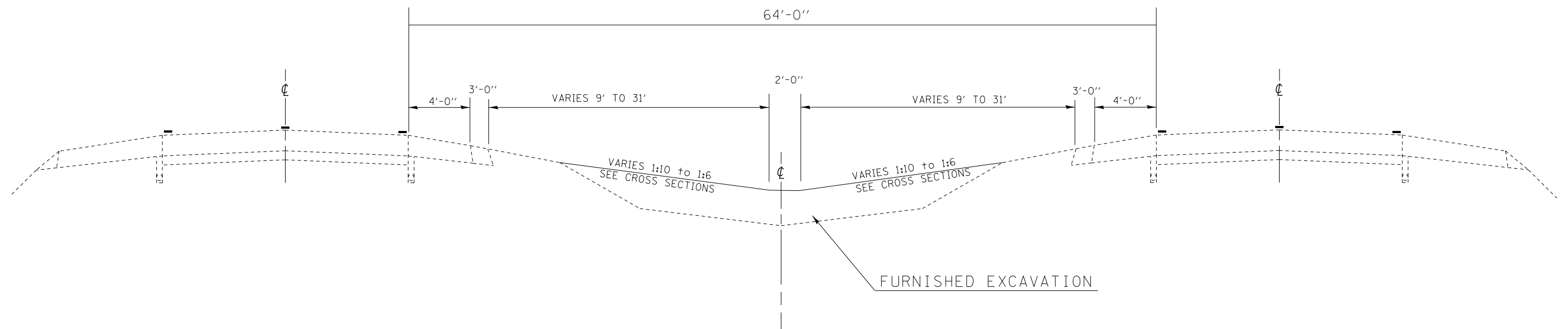
## EXISTING TYPICAL SECTION FAI 74 (I-74)

STATION TO STATION  
677+15.47  682+12.00



## EXISTING TYPICAL SECTION FAI 74 (I-74)

STATION TO STATION  
677+15.47  682+12.00



FILE NAME =	USER NAME = leroyma	DESIGNED - MAL	REVISED -	<b>STATE OF ILLINOIS DEPARTMENT OF TRANSPORTATION</b>	<b>EXISTING TYPICAL SECTION PROPOSED TYPICAL SECTION</b>	F.A.I. RTE.	SECTION	COUNTY	TOTAL SHEETS	SHEET NO.
ct:\pw\work\pwidot\leroyma\d0316210\0571006-shr-typical.dgn		DRAWN - JJB	REVISED -			74	(57-20)I	MCLEAN	13	4
PLOT SCALE = 40.0000' / in.		CHECKED -	REVISED -			CONTRACT NO. 71006				
PLOT DATE = 10/15/2012		DATE - 7-8-09	REVISED -		SCALE:	SHEET NO. 1 OF 2 SHEETS		STA. 678+05.47 TO STA. 681+22.00		ILLINOIS FED. AID PROJECT