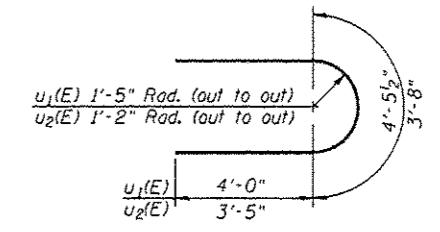
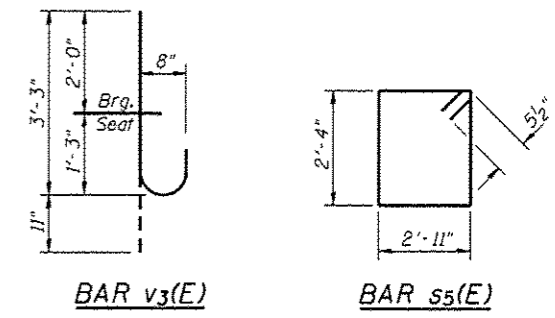
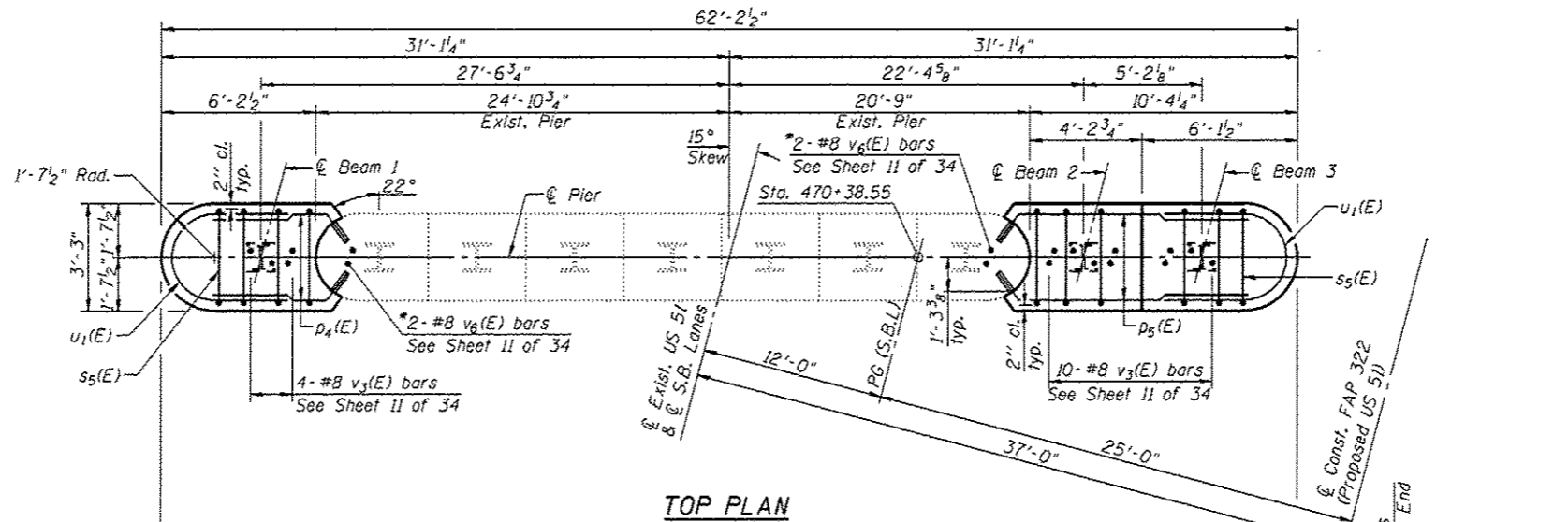


11/21/2012 11:32:21 AM

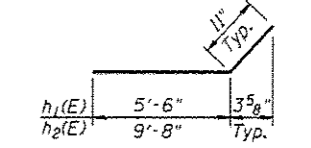
Notes:
 Pour steps monolithically with cap.
 For details of piles, see sheet 27 of 34.

PILE DATA

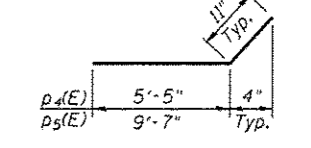
Type: Steel HP 12x53
 Nominal Required Bearing: 419 Kips/Pile
 Factored Resistance Available: 209 Kips/Pile
 Est. Length: 65 Ft./Pile
 No. Production Piles: 3



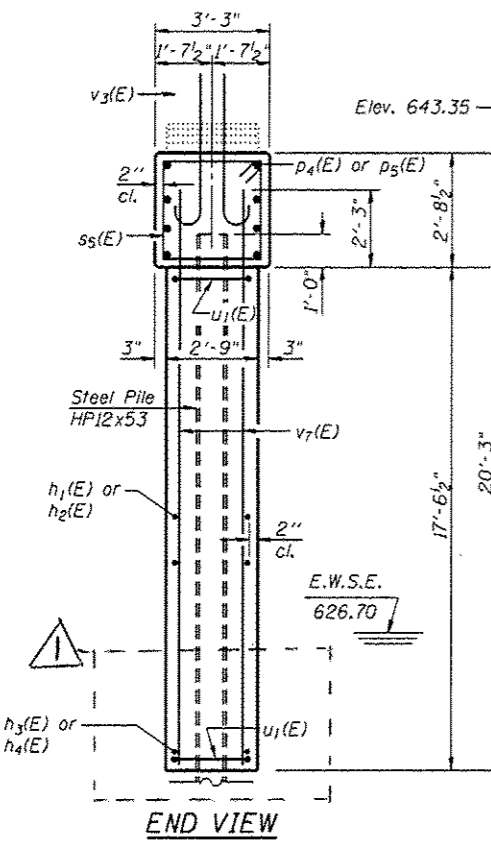
BARS u1(E) & u2(E)



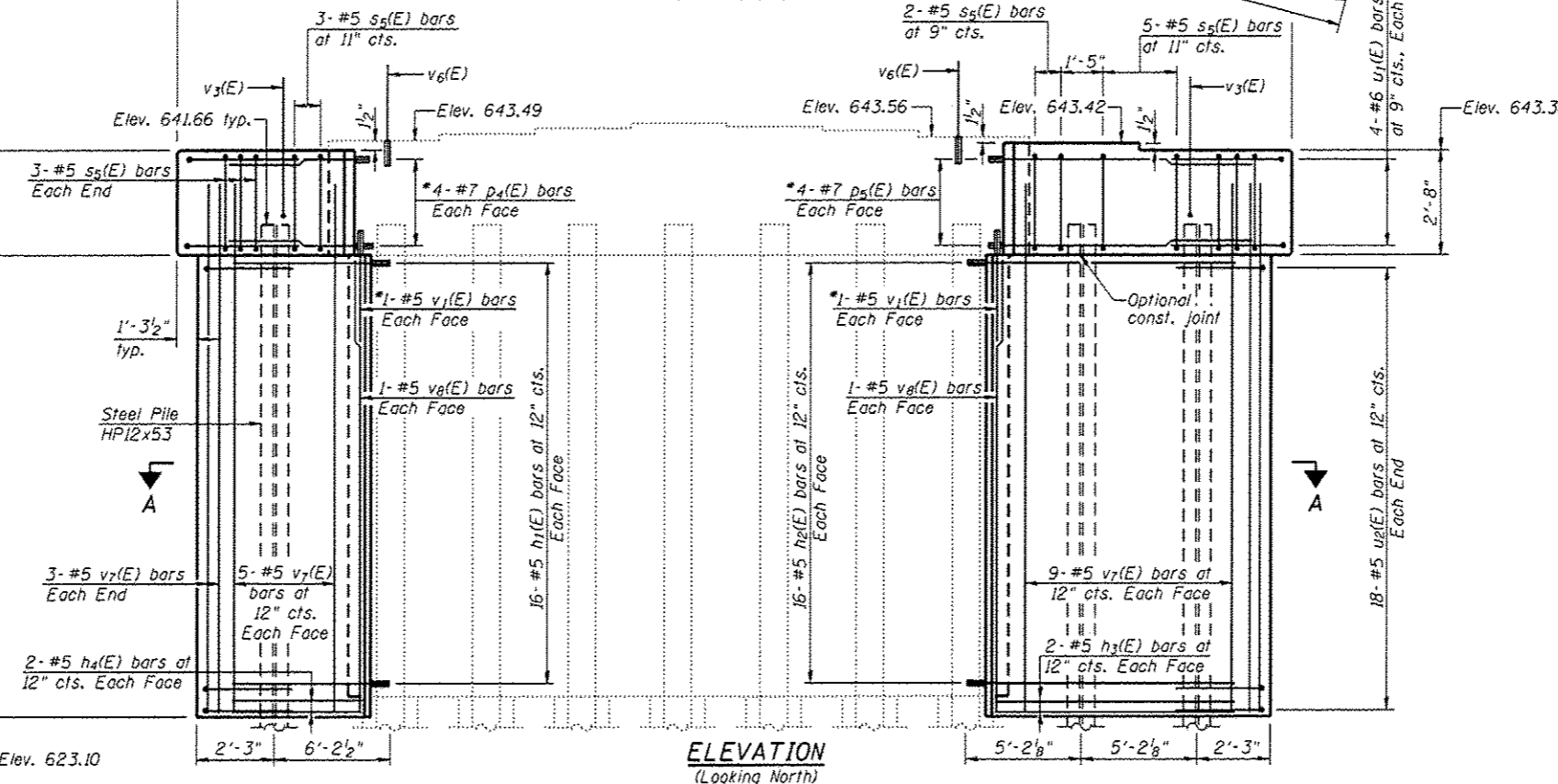
BARS h1(E) & h2(E)



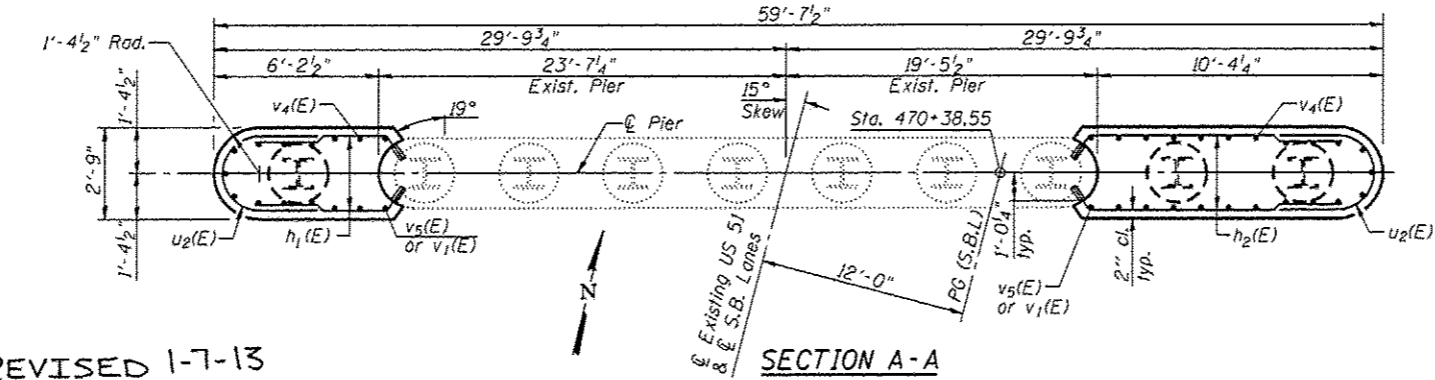
BARS p4(E) & p5(E)



END VIEW



ELEVATION (Looking North)



SECTION A-A

REVISION 1-7-13

BILL OF MATERIAL

Bar	No.	Size	Length	Shape
h1(E)	32	#5	6'-5"	—
h2(E)	32	#5	10'-7"	—
h3(E)	4	#5	9'-8"	—
h4(E)	4	#5	5'-6"	—
p4(E)	8	#7	6'-4"	—
p5(E)	8	#7	10'-6"	—
s5(E)	16	#5	11'-5"	□
u1(E)	8	#6	12'-6"	U
u2(E)	36	#5	10'-6"	U
v1(E)	4	#5	4'-4"	—
v3(E)	14	#8	4'-2"	—
v6(E)	4	#8	2'-9"	—
v7(E)	34	#5	19'-7"	—
v8(E)	4	#5	17'-2"	—
Cofferdam Excavation			Cu. Yd.	6
Concrete Structures			Cu. Yd.	35.2
Reinforcement Bars, Epoxy Coated			Pound	2,610
Furnishing Steel Piles HPI2x53			Foot	195
Driving Piles			Foot	195
Cofferdam (Type 1) (Location 4)			Each	1

FILE NAME	USER NAME	DESIGNED ADL	REVISED - 11-21-12 RJP	STATE OF ILLINOIS DEPARTMENT OF TRANSPORTATION	PIER #2 STRUCTURE NO. 011-0037	F.A.P. 322	SECTION 11-10	COUNTY CHRISTIAN	TOTAL SHEETS	SHEET NO.
	PLOT SCALE	CHECKED RJP	REVISED -						437	225
	PLOT DATE	DRAWN RJP	REVISED -						CONTRACT NO. 72961	
		CHECKED ADL	REVISED -						ILLINOIS FED. AID PROJECT	

Klingner & Associates P.C.