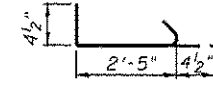
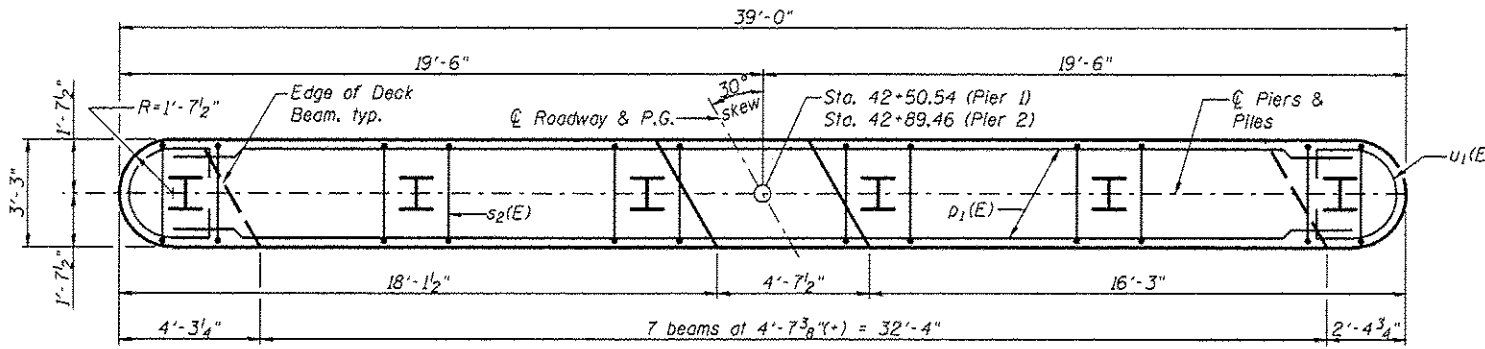
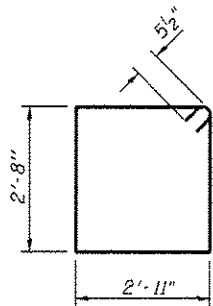


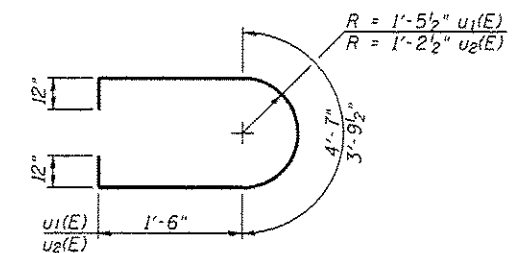
Notes:
 Space reinforcement in cap to miss Dowel Rods.
 See sheet 11 of 16 for layout of Dowel Rods.
 For details of piles, see sheet 14 of 16.



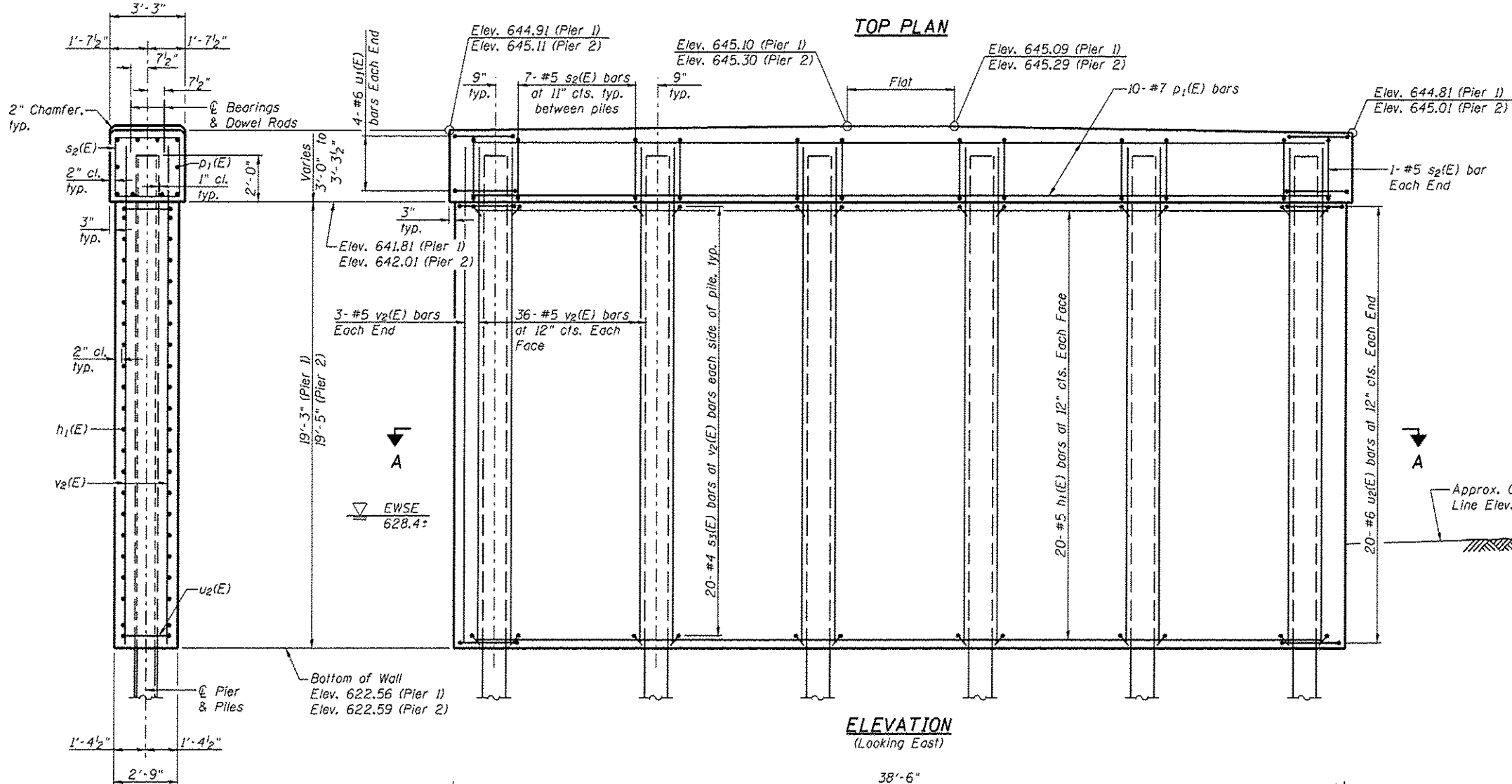
BAR s3(E)



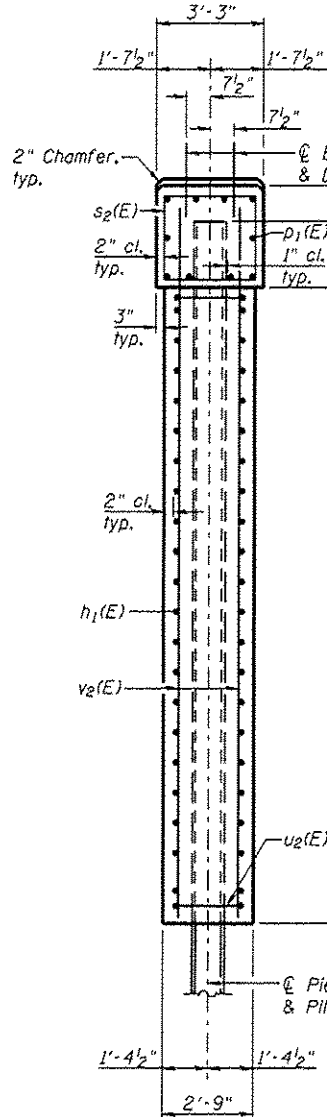
BAR s2(E)



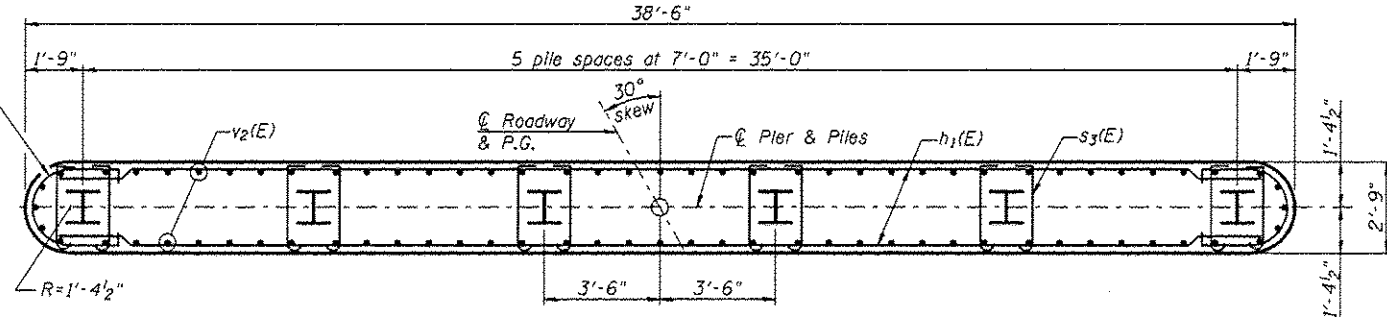
BARS u1(E) & u2(E)



ELEVATION
(Looking East)



END VIEW



SECTION A-A

PIER 1 PILE DATA

Type: Steel HP 12x53 w/Pile Shoes
 Nominal Required Bearing: 387k
 Factored Resistance Available: 213k
 Est. Length: 65 Ft
 No. Production Piles: 5
 No. Test Piles: 1

PIER 2 PILE DATA

Type: Steel HP 12x53 w/Pile Shoes
 Nominal Required Bearing: 365k
 Factored Resistance Available: 201k
 Est. Length: 61 Ft
 No. Production Piles: 6
 No. Test Piles: 0

REVISION 1-7-13

BILL OF MATERIAL
(Two Piers)

Bar	No.	Size	Length	Shape
h1(E)	80	#5	35'-9"	—
p1(E)	20	#7	35'-9"	—
s2(E)	74	#5	12'-1"	U
s3(E)	480	#4	3'-2"	L
u1(E)	16	#6	9'-7"	U
u2(E)	80	#6	8'-10"	U
v2(E)	156	#5	22'-0"	—
Cofferdam Excavation	Cu. Yd.		72	
Concrete Structures	Cu. Yd.		178.6	
Reinforcement Bars, Epoxy Coated	Pound		11270	
Furnishing Steel Piles, HP 12x53	Foot		691	
Driving Piles	Foot		691	
Test Pile Steel HP 12x53	Each		1	
Pile Shoes	Each		12	
Cofferdam (Type 1) (Location-5)	Each		1	
Cofferdam (Type 1) (Location-6)	Each		1	