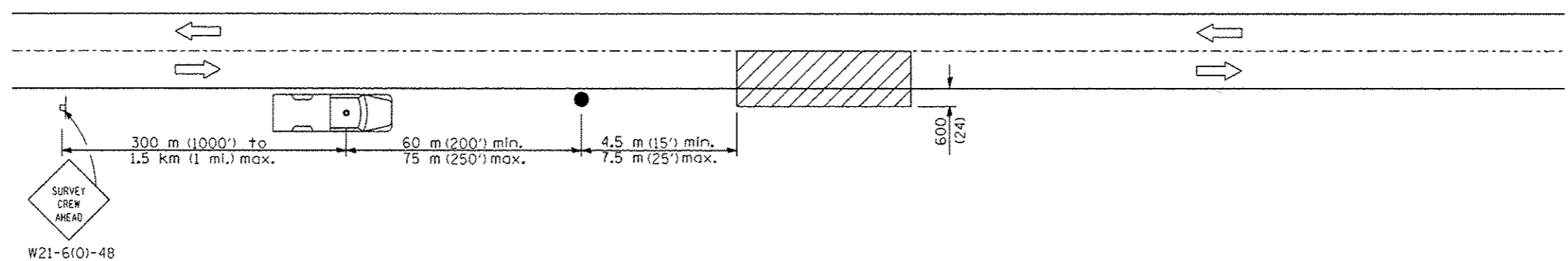


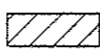
F.A.P. RTE.	SECTION	COUNTY	TOTAL SHEETS	SHEET NO.
322	11-13	CHRISTIAN	437	171
STA.		TO STA.		
FED. ROAD DIST. NO.	ILLINOIS	FED. AID PROJECT		



FLAGGER SHALL BE EQUIPPED WITH AND REQUIRED TO USE A HIGH INTENSITY, OR HIGH PERFORMANCE " STOP - SLOW " TRAFFIC CONTROL PADDLE. FLAGGER AND LIGHTING INSPECTOR SHALL BE REQUIRED TO WEAR A HIGH VISIBILITY, REFLECTIVE ORANGE VEST AND EITHER A HARD HAT OR AN ORANGE CAP.

W21-6(0)-48

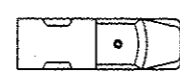
### SYMBOLS



Work area



Sign on portable or permanent support



Truck with flashing amber light and dual emergency flashers



Flagger with traffic control sign

TYPICAL APPLICATIONS  
Utility operations

### DETAIL FOR NIGHTTIME LIGHTING INSPECTION

REVISIONS	
NAME	DATE

ILLINOIS DEPARTMENT OF TRANSPORTATION  
LIGHTING PLAN -  
LIGHTING DETAILS 4 OF 4  
FAP 322 (US 51)  
SECTION 11-13  
CHRISTIAN COUNTY

SCALE: NONE DRAWN BY: IDOT  
DATE:                      CHECKED BY: