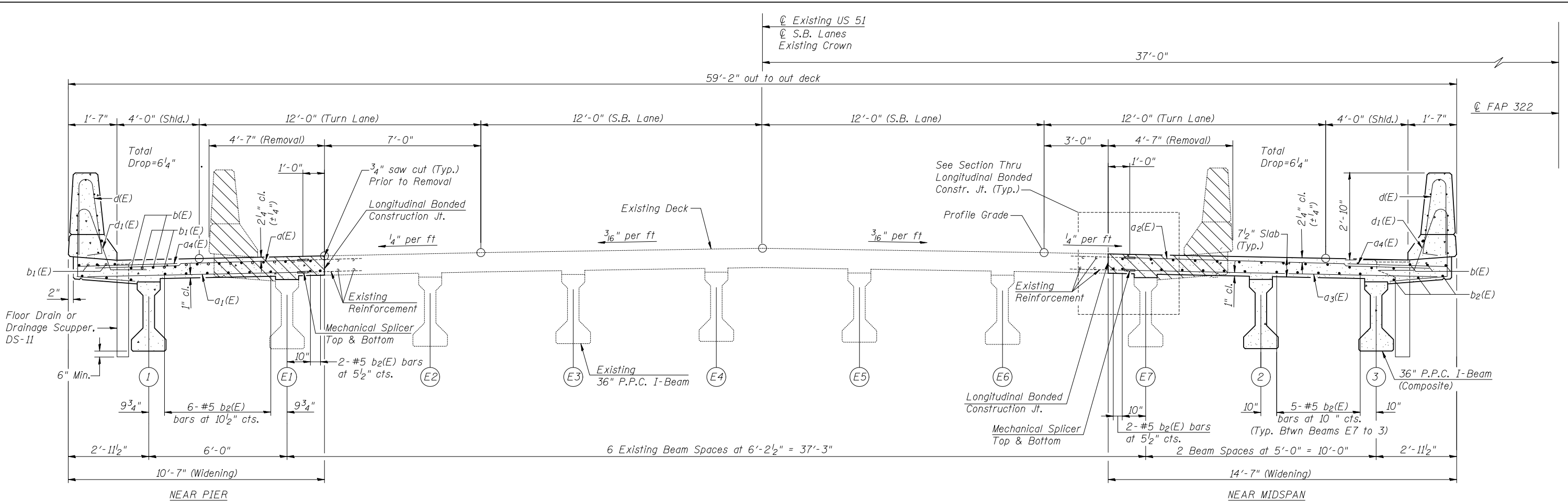
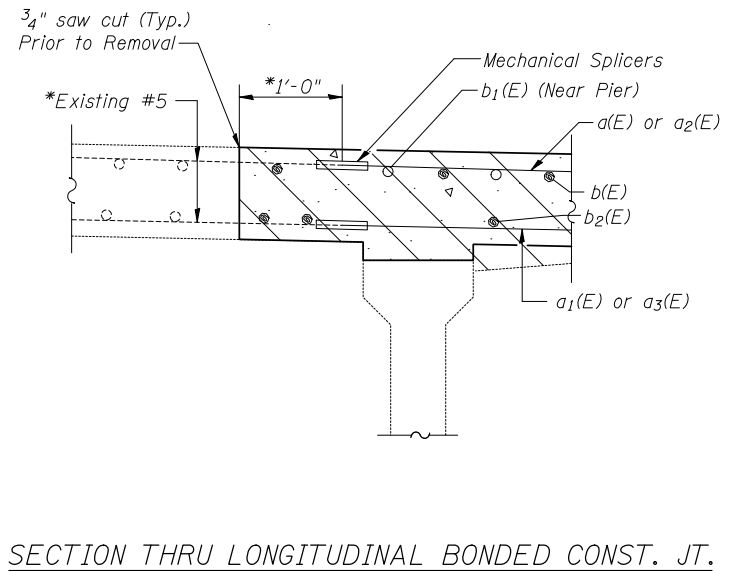
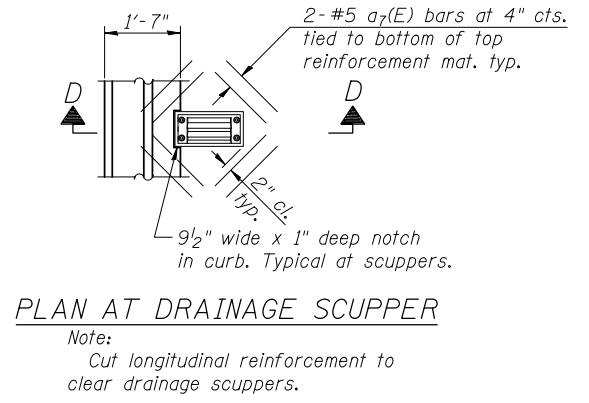
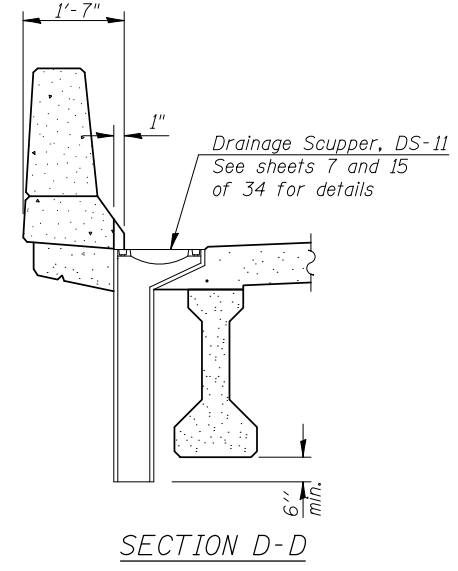


8/6/2012 8:04:50 AM

G:\01FILES\010329\BRIDGE\011-0037 SUPERSTRUCTURE.dgn



CROSS SECTION (Looking North)



\* Existing reinforcement extending into the removal area shall be cleaned, straightened, and incorporated into the new construction. Any reinforcement bars that are damaged during concrete removal shall be replaced with an approved bar splicer or anchorage system. Cost shall be included with Concrete Removal.

FILE NAME	USER NAME =	DESIGNED ADL	REVISED -
		CHECKED RJP	REVISED -
	PLOT SCALE =	DRAWN RJP	REVISED -
	PLOT DATE =	CHECKED ADL	REVISED -

**STATE OF ILLINOIS**  
**DEPARTMENT OF TRANSPORTATION**

**SUPERSTRUCTURE DETAILS**  
**STRUCTURE NO. 011-0037**

SHEET NO. 8 OF 34 SHEETS

F.A.P. RTE.	SECTION	COUNTY	TOTAL SHEETS	SHEET NO.
322	11-10	CHRISTIAN	437	208
CONTRACT NO. 72961				

ILLINOIS FED. AID PROJECT  
 Klingner & Associates P.C.